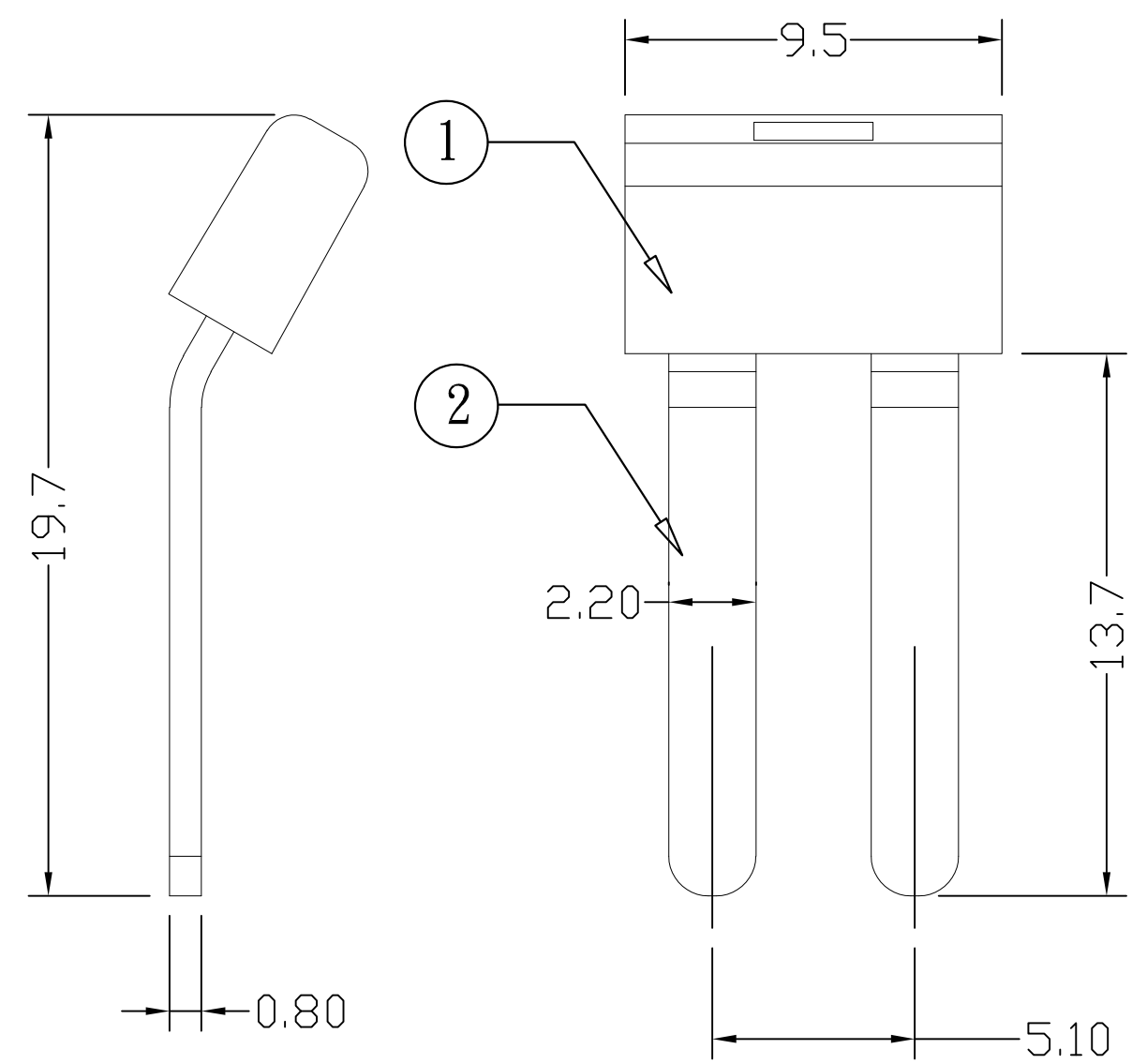


THIS DRAWING IS UNPUBLISHED. RELEASED FOR PUBLICATION
 © COPYRIGHT - By - ALL RIGHTS RESERVED.

REVISIONS				
P	LTR	DESCRIPTION	DATE	APVD
	A	OFFICIAL VERSION RELEASE	25DEC2016	F.Y X.X



- NOTES:**
1. MATERIAL:SEE TABLE
 2. APPLICABLE TO PRODUCT SERIES:2.5mm² SERIES;
 3. CONTINUOUS CURRENT: 24A/24A
 4. REQUIREMENT FOR ENVIRONMENTAL SUBSTANCES MUST BE COMPLIANCE WITH ROHS AND REACH.

ITEM	COMPONENTS	MATERIAL	Q'TY	PLATING
2	TERMINAL	COPPER	1	Tin Plated
1	HOUSING	THERMOPLASTIC	1	

TFBCS 2-5	2271745-1
TE SERIES No.	PART NUMBER

THIS DRAWING IS A CONTROLLED DOCUMENT.		DWN FENCER YU 25DEC2016	STE TE Connectivity	
DIMENSIONS: mm		CHK KOBBY ZHAO 25DEC2016		
TOLERANCES UNLESS OTHERWISE SPECIFIED:		APVD XIANG XU 25DEC2016	NAME SIDE PLUG BRIDGE FOR 2.5MM ² SCREW TYPE TERMINAL BLOCK	
0 PLC ± -		PRODUCT SPEC -	APPLICATION SPEC -	
1 PLC ± 0.50		114-137172	SIZE A3	CAGE CODE 00779
2 PLC ± 0.40		WEIGHT 0.8 g	DRAWING NO C-2271745	RESTRICTED TO -
3 PLC ± 0.30		CUSTOMER DRAWING		
4 PLC ± -		SCALE 1:1		
ANGLES ± -		SHEET 1 OF 1		
MATERIAL -		REV A		
FINISH -				