

THIS DRAWING IS UNPUBLISHED.

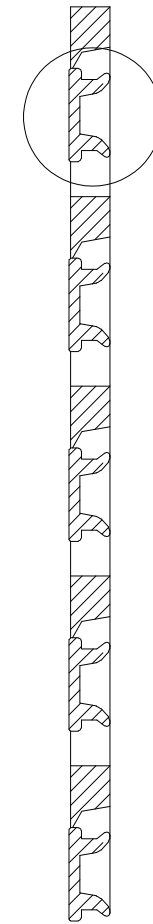
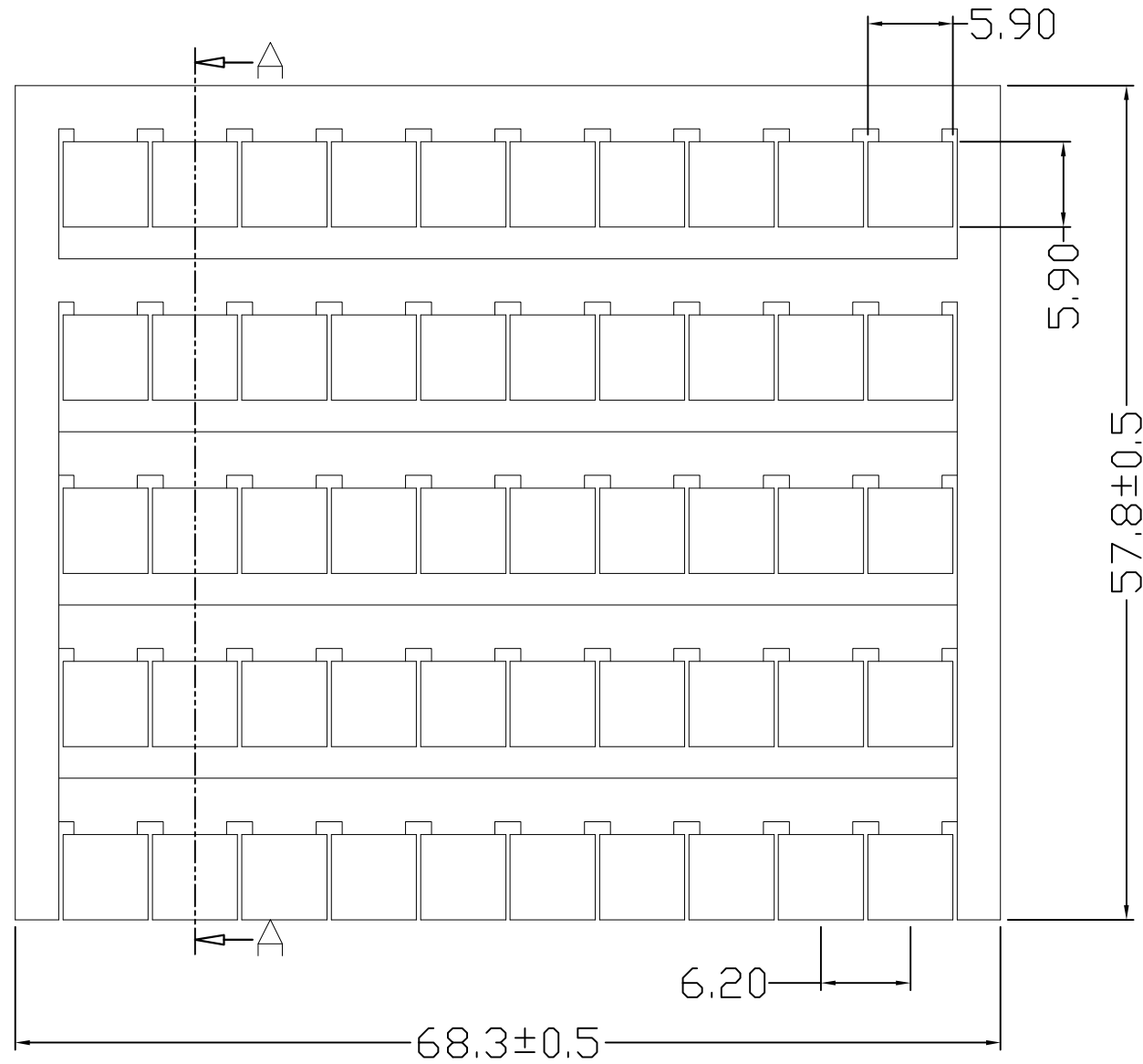
RELEASED FOR PUBLICATION

ALL RIGHTS RESERVED.

© COPYRIGHT - By -

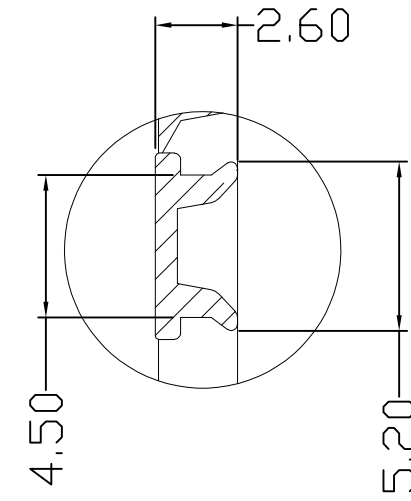
REVISIONS

P	LTR	DESCRIPTION	DATE	DWN	APVD
	A	OFFICIAL VERSION RELEASE	25DEC2016	F.Y	X.X

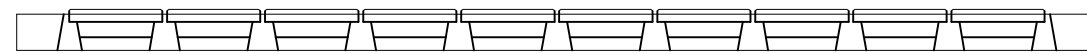


SECTION A-A

DETAIL B



DETAIL B (SCALE 2:1)



TU-TM 6	2271725-1	50
TE SERIES No.	PART NUMBER	POLES/PC

NOTES:

1. MATERIAL:

HOUSING:TERMOPLASTIC,UL94 V-0,COLOR:WHITE ,

2. REQUIREMENT FOR ENVIRONMENTAL SUBSTANCES

MUST BE COMPLIANCE WITH ROHS AND REACH.

THIS DRAWING IS A CONTROLLED DOCUMENT.		DWN FENCER YU 25DEC2016	<b>STE</b> TE Connectivity		
DIMENSIONS: mm		CHK KOBBY ZHAO 25DEC2016			
TOLERANCES UNLESS OTHERWISE SPECIFIED:		APVD XIANG XU 25DEC2016	NAME MARKING LABEL FOR SCREW TYPE TERMINAL BLOCK		
0 PLC ± 0.50		PRODUCT SPEC	-		
1 PLC ± 0.30		APPLICATION SPEC	-		
2 PLC ± 0.20		114-137172	SIZE	CAGE CODE	DRAWING NO
3 PLC ± -		6.0 g	A3	00779	C-2271725
4 PLC ± -		CUSTOMER DRAWING	RESTRICTED TO		-
ANGLES ± -		SCALE	SHEET		REV
FINISH		1:1	1 OF 1		A