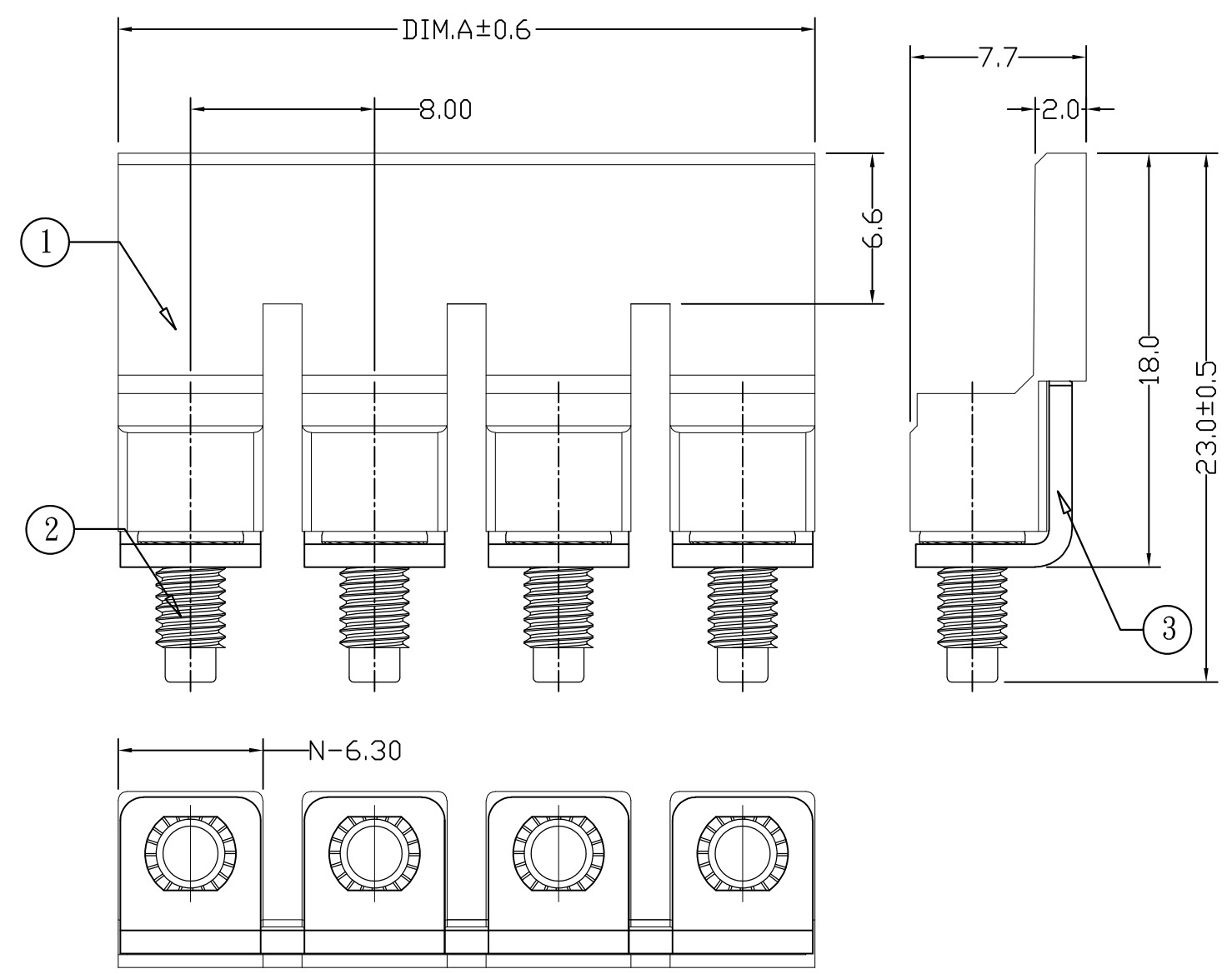


THIS DRAWING IS UNPUBLISHED. RELEASED FOR PUBLICATION
 © COPYRIGHT - By - ALL RIGHTS RESERVED.

REVISIONS				
P	LTR	DESCRIPTION	DATE	APVD
	A	OFFICIAL VERSION RELEASE	25DEC2016	F.Y X.X



- NOTES:**
1. MATERIAL:SEE TABLE
 2. SCREW SIZE AND TORQUE:M3 , 4.3-6 lbs-in
 3. APPLICABLE TO PRODUCT SERIES:6mm² SERIES;
 4. CONTINUOUS CURRENT: 50A/50A
 5. REQUIREMENT FOR ENVIRONMENTAL SUBSTANCES MUST BE COMPLIANCE WITH ROHS AND REACH.

ITEM	COMPONENTS	MATERIAL	Q'TY	PLATING
3	TERMINAL	COPPER	1	Tin Plated
2	MOUNTING SCREW	STEEL(M3)	N(poles)=2,3,4,10	ZINC Plated
1	HOUSING	THERMOPLASTIC	1	

TFBC 10-8	2271720-4	10	78.3
TFBC 4-8	2271720-3	4	30.3
TFBC 3-8	2271720-2	3	22.3
TFBC 2-8	2271720-1	2	14.3
TE SERIES No.	PART NUMBER	POLES(N)	DIM. A

THIS DRAWING IS A CONTROLLED DOCUMENT.		DWN FENCER YU 25DEC2016	TE Connectivity		
DIMENSIONS: mm		CHK KOBBY ZHAO 25DEC2016			NAME
		APVD XIANG XU 25DEC2016			
TOLERANCES UNLESS OTHERWISE SPECIFIED:		PRODUCT SPEC	APPLICATION SPEC	RESTRICTED TO	
0 PLC ± - 1 PLC ± 0.50 2 PLC ± 0.40 3 PLC ± 0.30 4 PLC ± - ANGLES ± -		114-137172	SIZE A3	CAGE CODE 00779	
MATERIAL -		WEIGHT 9.1 g	DRAWING NO C-2271720		
FINISH -		CUSTOMER DRAWING		SCALE 1:1	
				SHEET 1 OF 1	
				REV A	