

4

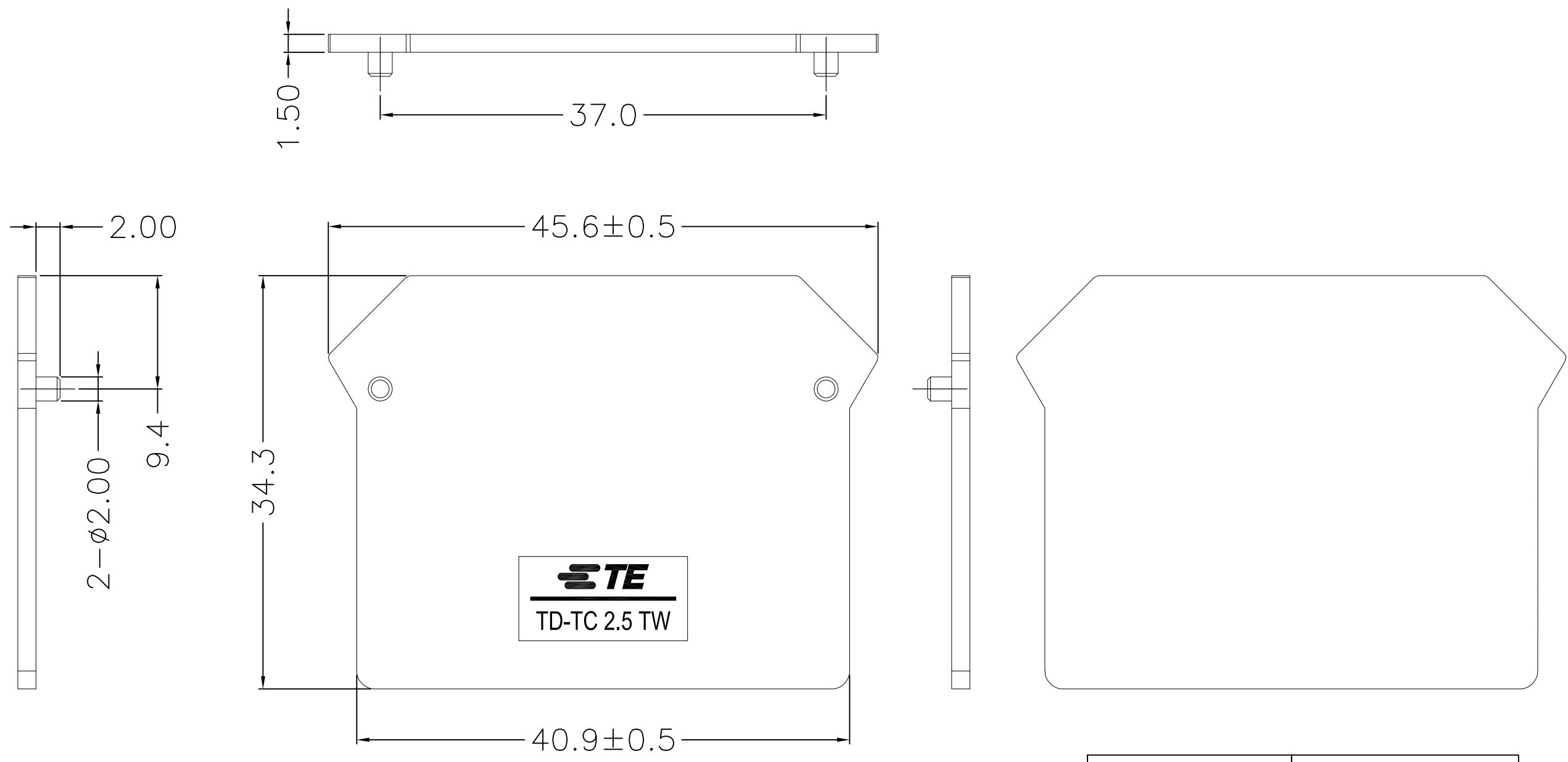
3

2

1

THIS DRAWING IS UNPUBLISHED. RELEASED FOR PUBLICATION
 © COPYRIGHT - By - ALL RIGHTS RESERVED.

REVISIONS					
P	LTR	DESCRIPTION	DATE	DWN	APVD
	A	OFFICIAL VERSION RELEASE	25MAR2017	F.Y	X.X



TD-TC 2.5 TW	2271711-1
TE SERIES No.	PART NUMBER

NOTES:

1. Material: Thermoplastic, UL94 V-0, Color: Gray
2. Requirement for environmental substance must be compliance with ROHS and REACH.

THIS DRAWING IS A CONTROLLED DOCUMENT.		DWN FENCER YU 25MAR2017	TE Connectivity														
DIMENSIONS: mm		CHK XIANG XU 25MAR2017															
TOLERANCES UNLESS OTHERWISE SPECIFIED:		APVD XIANG XU 25MAR2017	NAME														
<table border="0"> <tr> <td>0 PLC</td> <td>± 0.50</td> </tr> <tr> <td>1 PLC</td> <td>± 0.40</td> </tr> <tr> <td>2 PLC</td> <td>± 0.30</td> </tr> <tr> <td>3 PLC</td> <td>± -</td> </tr> <tr> <td>4 PLC</td> <td>± -</td> </tr> <tr> <td>ANGLES</td> <td>± 3'</td> </tr> </table>		0 PLC	± 0.50	1 PLC	± 0.40	2 PLC	± 0.30	3 PLC	± -	4 PLC	± -	ANGLES	± 3'	PRODUCT SPEC	END COVER FOR SCREW CLAMP TYPE TERMINAL BLOCK		
0 PLC	± 0.50																
1 PLC	± 0.40																
2 PLC	± 0.30																
3 PLC	± -																
4 PLC	± -																
ANGLES	± 3'																
MATERIAL		APPLICATION SPEC	SIZE	CAGE CODE	DRAWING NO	RESTRICTED TO											
FINISH		114-137172	A3	00779	C-2271711	-											
CUSTOMER DRAWING			WEIGHT	SCALE		SHEET											
			2.4 g	1:1		1 OF 1											
			REV		A												