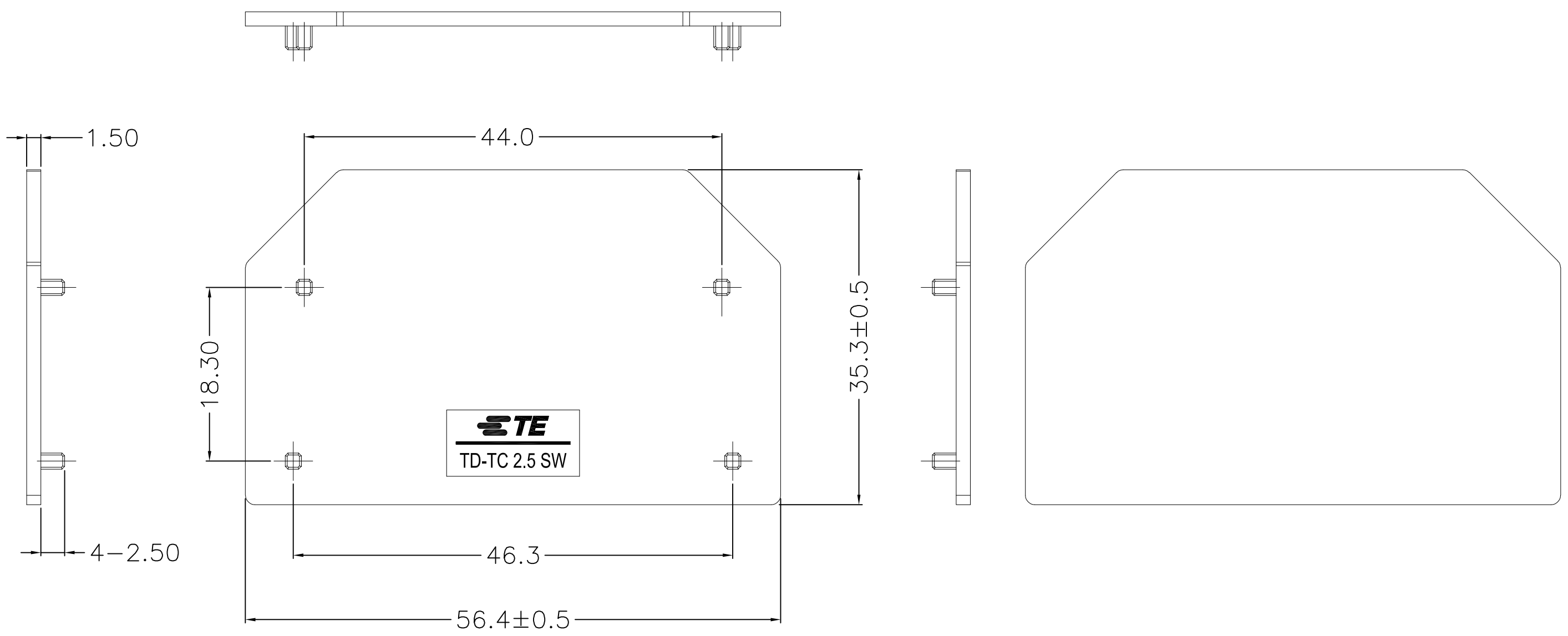


THIS DRAWING IS UNPUBLISHED. RELEASED FOR PUBLICATION
 © COPYRIGHT - By - ALL RIGHTS RESERVED.

REVISIONS					
P	LTR	DESCRIPTION	DATE	DWN	APVD
	A	OFFICIAL VERSION RELEASE	25DEC2016	F.Y	X.X



NOTES:

1. Material: Thermoplastic, UL94 V-0, Color: Gray
2. Requirement for environmental substance must be compliance with ROHS and REACH.

TD-TC 2.5 SW	2271709-1
TE SERIES No.	PART NUMBER

THIS DRAWING IS A CONTROLLED DOCUMENT.		DWN	FENCER YU	25DEC2016			
DIMENSIONS: mm		CHK	KOBBY ZHAO	25DEC2016			
TOLERANCES UNLESS OTHERWISE SPECIFIED:		APVD	XIANG XU	25DEC2016	NAME		
0 PLC ± 0.50 1 PLC ± 0.40 2 PLC ± 0.30 3 PLC ± - 4 PLC ± - ANGLES ± 3°		PRODUCT SPEC		END COVER FOR SCREW CLAMP TYPE TERMINAL BLOCK			
MATERIAL		APPLICATION SPEC		DRAWING NO			RESTRICTED TO
FINISH		114-137172		SIZE	CAGE CODE	A3 00779	C-2271709
		WEIGHT 3.2 g		CUSTOMER DRAWING			SCALE 1:1
				SHEET 1 OF 1			REV A