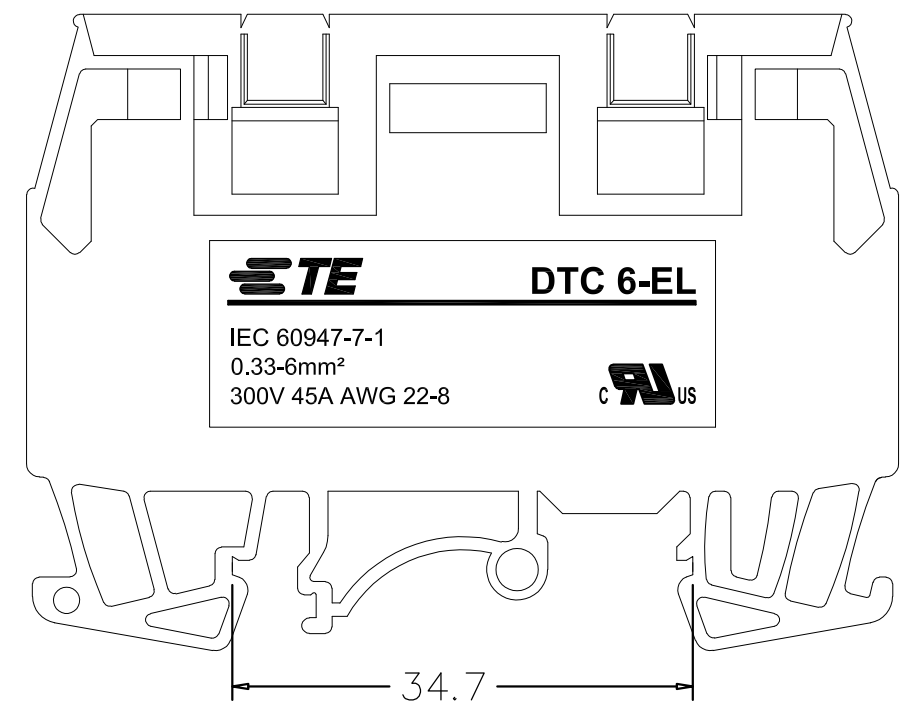
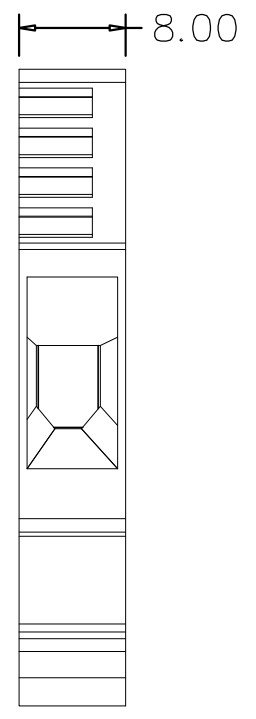
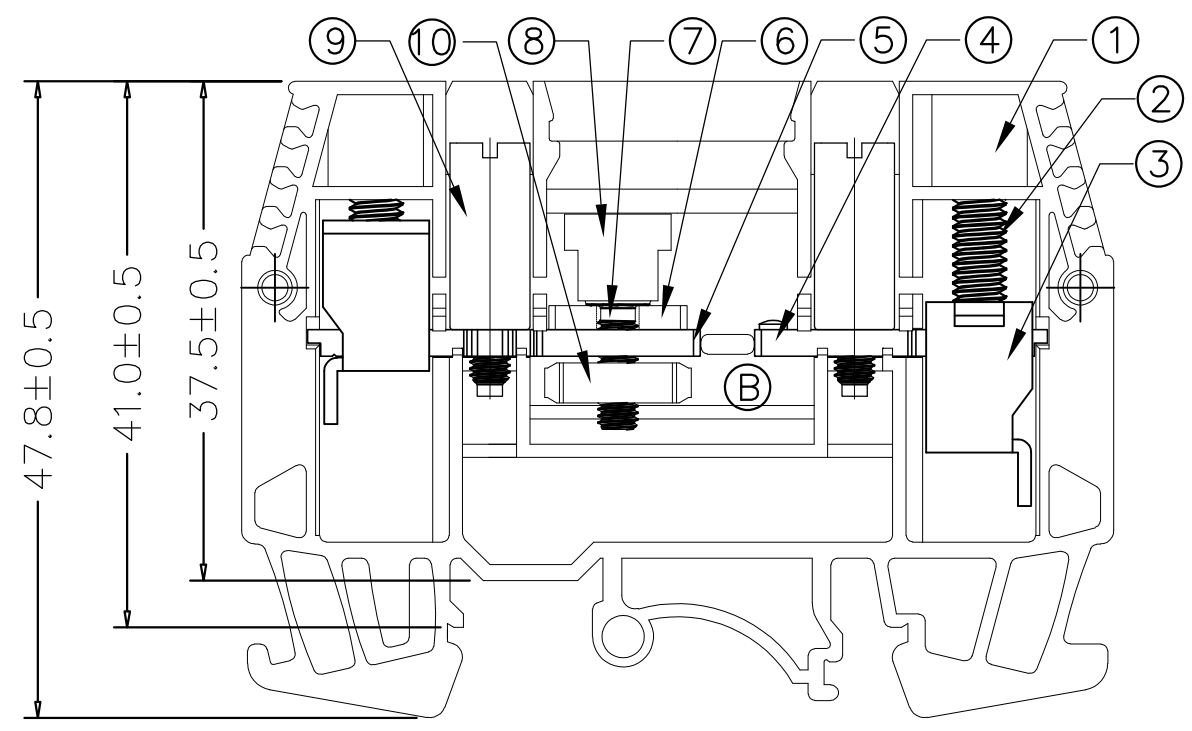
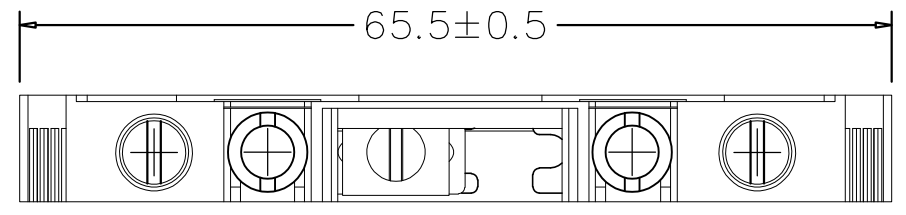


THIS DRAWING IS UNPUBLISHED. RELEASED FOR PUBLICATION
 © COPYRIGHT - By - ALL RIGHTS RESERVED.

REVISIONS					
P	LTR	DESCRIPTION	DATE	DWN	APVD
	A	OFFICIAL VERSION RELEASE	25MAR2017	F.Y	X.X



ITEM	COMPONENTS	MATERIAL	Q'TY	PLATING
10	SHIM	STEEL	1	Zinc Plated
9	SOCKET	COPPER ALLOY	2	Tin Plated
8	SCREW SHEATH	THERMOPLASTIC	1	
7	SCREW 2	STEEL	1	Zinc Plated
6	TERMINAL 3	COPPER	1	Tin Plated
5	TERMINAL 2	COPPER	1	Tin Plated
4	TERMINAL 1	COPPER	1	Tin Plated
3	CLAMP	STEEL	2	Zinc Plated
2	SCREW 1	STEEL	2	Zinc Plated
1	HOUSING 1	THERMOPLASTIC	1	

NOTES:

1. Material: See table
2. Rated current & voltage : (UL)45Amp 300V , (IEC)41Amp 800V,
3. Impulse withstand voltage: 8KV
4. Screw Size torque: M4 , 14 lbs-in(1.6Nm)
5. Wire strip length: 10-12mm
6. Suitable wire size : (UL)22 - 8 AWG ,(IEC)0.33-6mm²
7. Requirement for environmental substance must be compliance with ROHS and REACH.

TE SERIES No.	PART NUMBER	COLOR
	2271705-5	BLACK
	2271705-4	ORANGE
	2271705-3	RED
	2271705-2	BLUE
	2271705-1	GRAY

THIS DRAWING IS A CONTROLLED DOCUMENT.		DWN FENCER YU 25MAR2017	STE TE Connectivity		
DIMENSIONS: mm		CHK XIANG XU 25MAR2017			
TOLERANCES UNLESS OTHERWISE SPECIFIED:		APVD XIANG XU 25MAR2017	NAME 6mm ² WIRE 1 IN 1 OUT SCREW FEATURES OF DISCONNECT TYPE TERMINAL BLOCK		
0 PLC ± 0.50		PRODUCT SPEC 108-137172	SIZE		
1 PLC ± 0.40		APPLICATION SPEC 114-137172	CAGE CODE	DRAWING NO	RESTRICTED TO
2 PLC ± 0.30		WEIGHT 25 g	A3	00779	C=2271705
3 PLC ± -		CUSTOMER DRAWING	SCALE	SHEET	REV
4 PLC ± -			1:1	1 OF 1	A
ANGLES ± -					
FINISH					