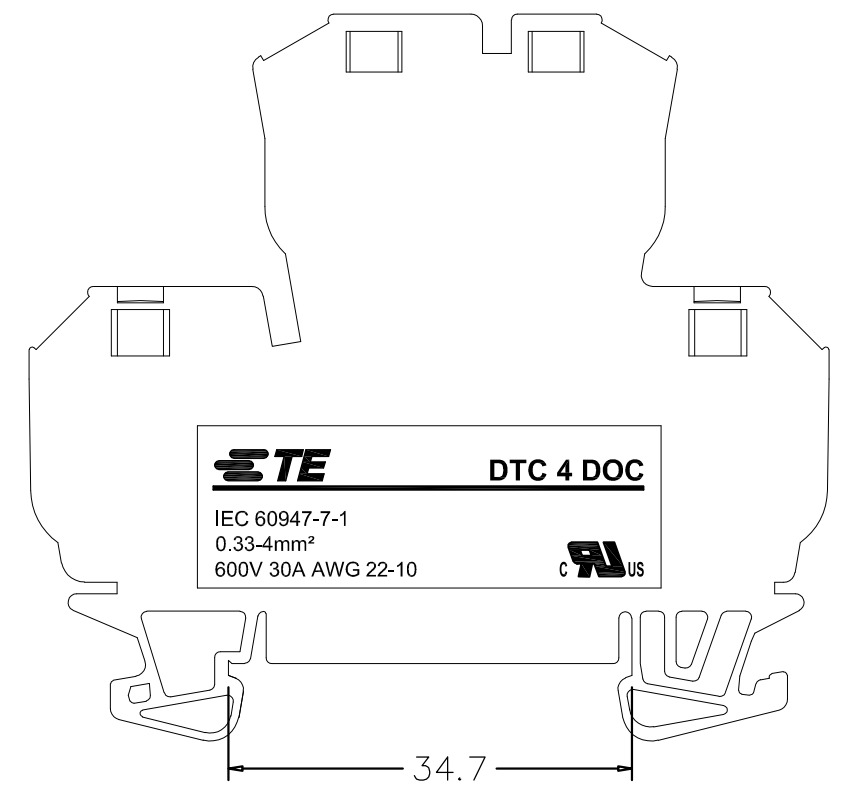
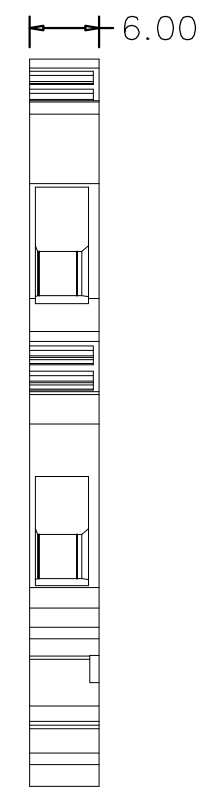
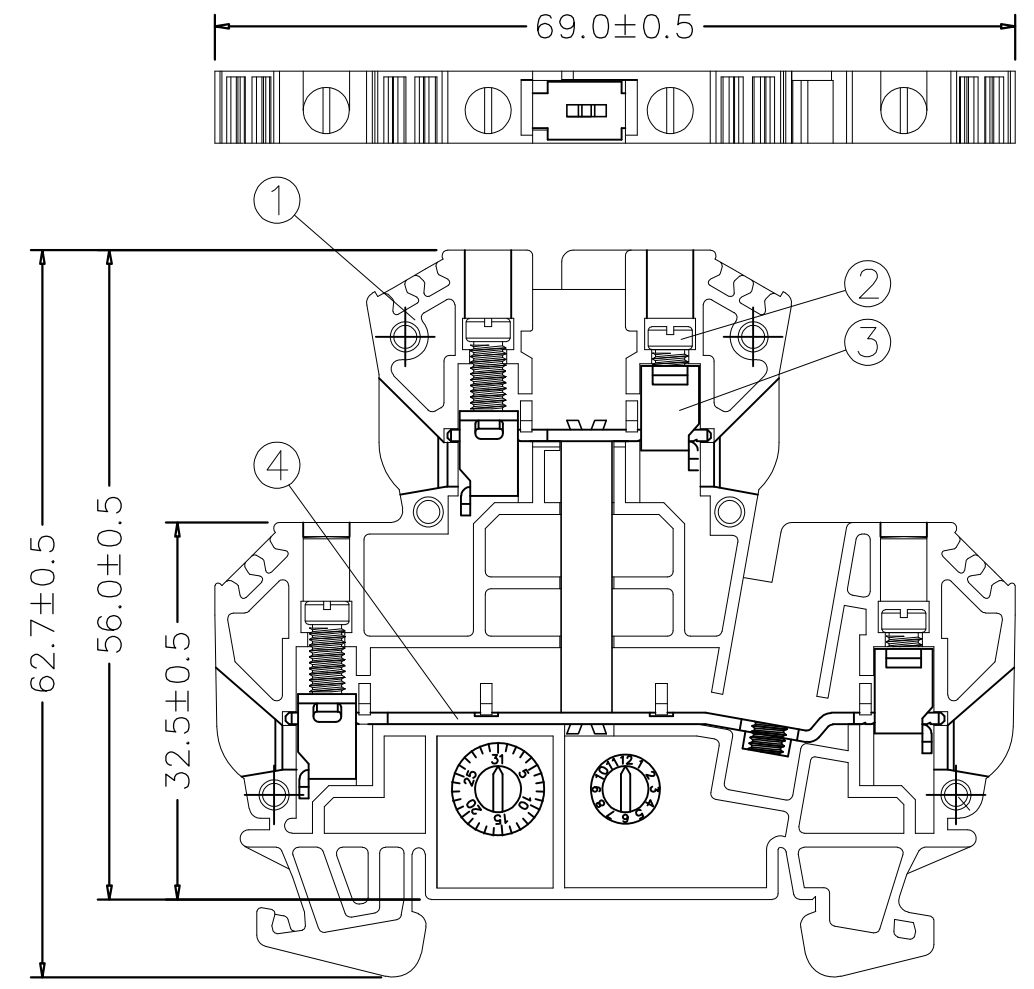


THIS DRAWING IS UNPUBLISHED. RELEASED FOR PUBLICATION
 © COPYRIGHT - By - ALL RIGHTS RESERVED.

REVISIONS					
P	LTR	DESCRIPTION	DATE	DWN	APVD
	A	OFFICIAL VERSION RELEASE	25APR2017	F.Y	X.X



NOTES:

1. Material: See table
2. Rated current & voltage : (UL)30Amp 600V , (IEC)32Amp 800V,
3. Impulse withstand voltage: 6KV
4. Screw Size torque: M3 , 6 lbs-in(0.69Nm)
5. Wire strip length: 8-10mm
6. Suitable wire size : (UL)22 - 10 AWG ,(IEC)0.33-4mm²
7. Requirement for environmental substance must be compliance with ROHS and REACH.

ITEM	COMPONENTS	MATERIAL	Q'TY	PLATING
4	TERMINAL	COPPER	3	Tin Plated
3	CLAMP	STEEL	4	Zinc Plated
2	SCREW	STEEL	4	Zinc Plated
1	HOUSING	THERMOPLASTIC	1	

TE SERIES No.	PART NUMBER	COLOR
	2271696-5	BLACK
	2271696-4	ORANGE
	2271696-3	RED
	2271696-2	BLUE
	2271696-1	GRAY

THIS DRAWING IS A CONTROLLED DOCUMENT.		DWN FENCER YU 25APR2017		TE Connectivity	
DIMENSIONS: mm		CHK XIANG XU 25APR2017			
TOLERANCES UNLESS OTHERWISE SPECIFIED:		APVD XIANG XU 25APR2017		NAME	
0 PLC ± 0.50		PRODUCT SPEC		4MM ² WIRE 1 IN 1 OUT SCREW	
1 PLC ± 0.40		108-137172		TWO TIERS TYPE TERMINAL BLOCK, INTER-CONNECTION	
2 PLC ± 0.30		APPLICATION SPEC		-	
3 PLC ± -		114-137172		SIZE	CAGE CODE
4 PLC ± -		WEIGHT 15.07 g		A3	00779
ANGLES ± -		CUSTOMER DRAWING		DRAWING NO C-2271696	
FINISH -		SCALE 1:1		SHEET 1 OF 1	
MATERIAL SEE TABLE		RESTRICTED TO -		REV A	