

THIS DRAWING IS UNPUBLISHED.

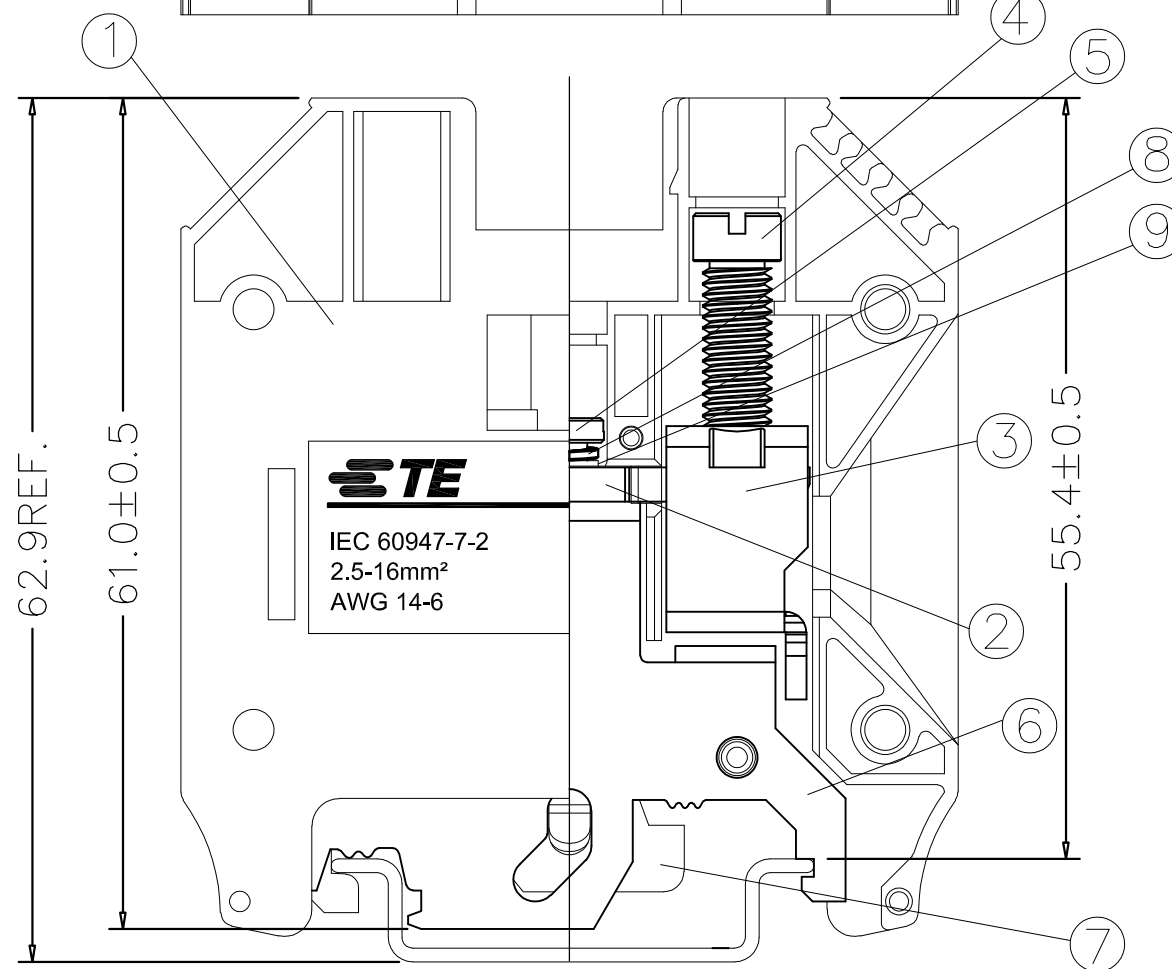
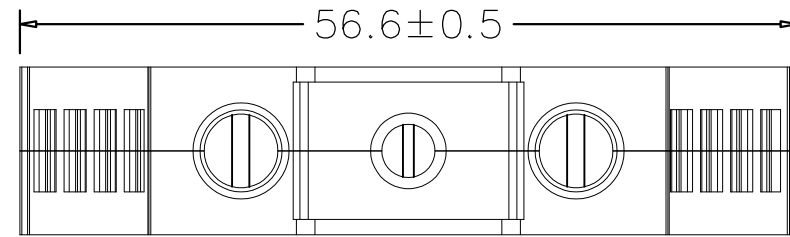
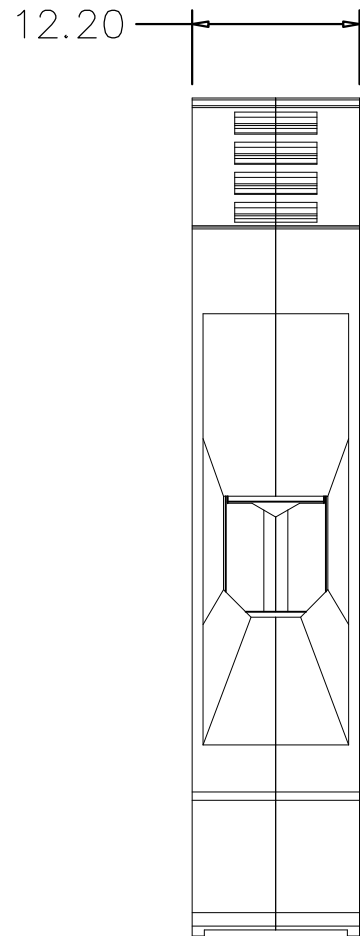
RELEASED FOR PUBLICATION

ALL RIGHTS RESERVED.

© COPYRIGHT - By -

REVISIONS

P	LTR	DESCRIPTION	DATE	DWN	APVD
	A	OFFICIAL VERSION RELEASE	25DEC2016	F.Y	X.X



ITEM	COMPONENTS	MATERIAL	QTY	PLATING
9	FLAT WASHER	STEEL	1	ZINC Plated
8	ELASTIC WASHER	STEEL	1	ZINC Plated
7	LOCK TERMINAL	STEEL	1	ZINC Plated
6	GROUND TERINAL	COPPER ALLOY	1	Tin Plated
5	MOUNTING SCREW	STEEL	1	ZINC Plated
4	TERMINAL SCREW	STEEL	2	ZINC Plated
3	CAGE CLAMP	STEEL	2	ZINC Plated
2	TERMINAL	COPPER	1	Tin Plated
1	HOUSING	THERMOPLASTIC	2	

DTC 16-G	2271691-1	GREEN-YELLOW
TE SERIES No.	PART NUMBER	COLOR

NOTES:

1. Material: See table
2. Impulse withstand voltage: 8KV
3. Terminal Screw Size & torque: M5, 35lbs-in(4.02Nm)
4. Mounting screw size & torque: M4, 4.5-5.6lbs-in(0.5-0.6Nm)
5. Wire strip length: 14-18mm
6. Suitable wire size : (UL)14 - 6 AWG , (IEC), (IEC)2.5-16mm<sup>2</sup>
7. Requirement for environmental substance must be compliance with ROHS and REACH.

THIS DRAWING IS A CONTROLLED DOCUMENT.		DWN FENCER YU 25DEC2016	TE Connectivity													
DIMENSIONS: mm		CHK KOBBY ZHAO 25DEC2016														
TOLERANCES UNLESS OTHERWISE SPECIFIED:		APVD XIANG XU 25DEC2016	NAME 16mm <sup>2</sup> WIRE 1 IN 1 OUT SCREW TYPE TERMINAL BLOCK WITH GROUND FUNCTION													
<table border="1"> <tr><td>0 PLC</td><td>± 0.50</td></tr> <tr><td>1 PLC</td><td>± 0.40</td></tr> <tr><td>2 PLC</td><td>± 0.30</td></tr> <tr><td>3 PLC</td><td>± -</td></tr> <tr><td>4 PLC</td><td>± -</td></tr> <tr><td>ANGLES</td><td>± 3'</td></tr> </table>		0 PLC	± 0.50	1 PLC	± 0.40	2 PLC	± 0.30	3 PLC	± -	4 PLC	± -	ANGLES	± 3'	PRODUCT SPEC 108-137173	SIZE A3	
0 PLC	± 0.50															
1 PLC	± 0.40															
2 PLC	± 0.30															
3 PLC	± -															
4 PLC	± -															
ANGLES	± 3'															
MATERIAL		APPLICATION SPEC 114-137172	CAGE CODE 00779	DRAWING NO C-2271691												
FINISH		WEIGHT 56 g	RESTRICTED TO													
		CUSTOMER DRAWING		SCALE 1:1												
		SHEET 1 OF 1		REV A												