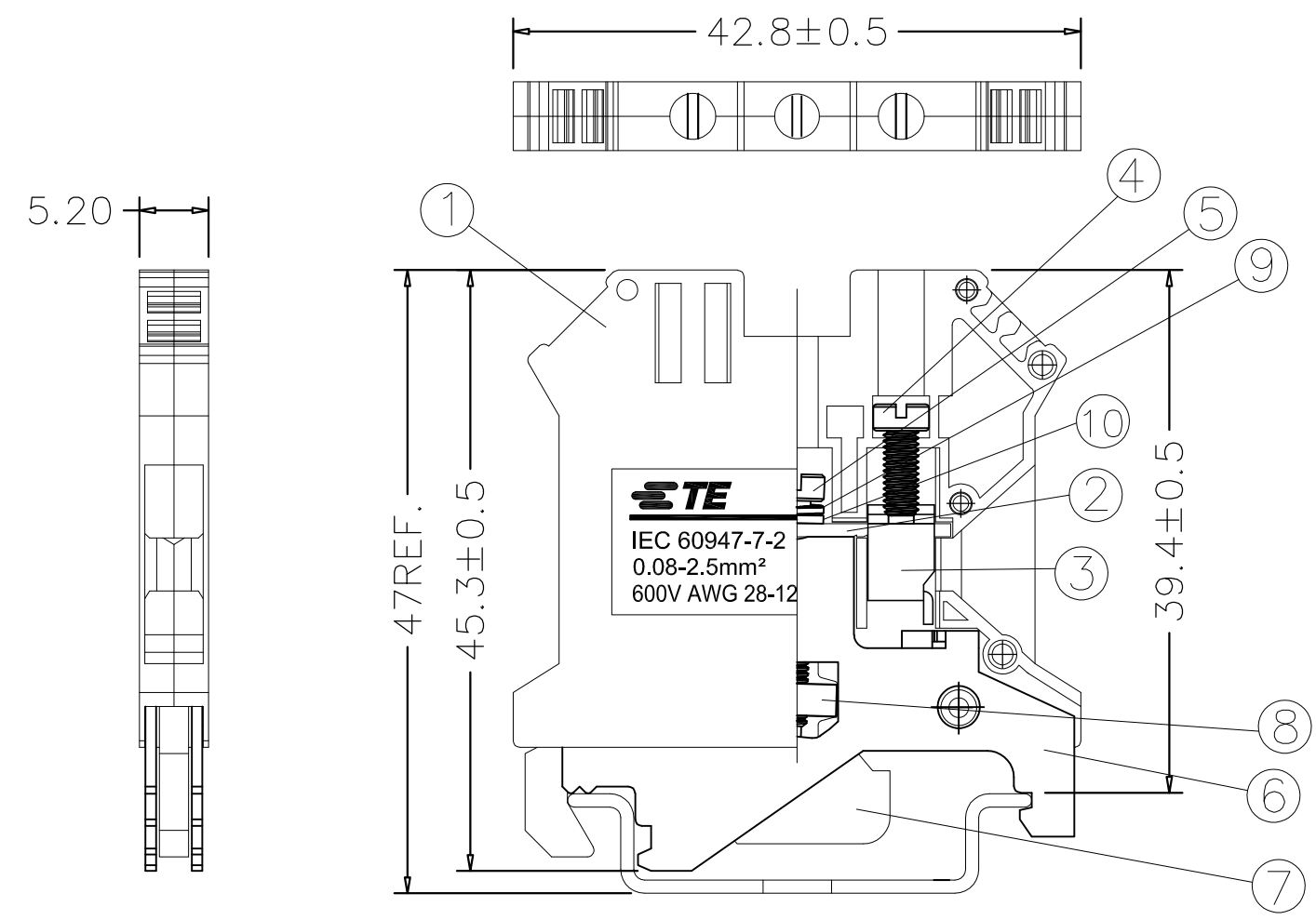


THIS DRAWING IS UNPUBLISHED. RELEASED FOR PUBLICATION
 © COPYRIGHT - By - ALL RIGHTS RESERVED.

REVISIONS				
P	LTR	DESCRIPTION	DATE	APVD
	A	OFFICIAL VERSION RELEASE	25DEC2016	F.Y X.X



ITEM	COMPONENTS	MATERIAL	Q'TY	PLATING
10	FLAT WASHER	STEEL	1	ZINC Plated
9	ELASTIC WASHER	STEEL	1	ZINC Plated
8	NUT	STEEL	1	ZINC Plated
7	LOCK TERMINAL	STEEL	1	ZINC Plated
6	GROUND TERINAL	COPPER ALLOY	1	Tin Plated
5	MOUNTING SCREW	STEEL	1	ZINC Plated
4	TERMINAL SCREW	STEEL	2	ZINC Plated
3	CAGE CLAMP	STEEL	2	ZINC Plated
2	TERMINAL	COPPER ALLOY	1	Tin Plated
1	HOUSING	THERMOPLASTIC	2	

NOTES:

1. Material: See table
2. Rated current & voltage :600V(UL),
3. Impulse withstand voltage: 8KV
4. Terminal Screw Size & torque:M2.6, 4-5.2lbs-in(0.46-0.6Nm)
5. Mounting screw size & torque:M2.6, 3.5-4.4lbs-in(0.4-0.5Nm)
6. Wire strip length: 8-10mm
7. Suitable wire size : (UL)28 - 12 AWG , (IEC)0.08-2.5mm²
8. Requirement for environmental substance must be compliance with ROHS and REACH.

DTC 2.5-G	2271687-1	GREEN-YELLOW
TE SERIES No.	PART NUMBER	COLOR

THIS DRAWING IS A CONTROLLED DOCUMENT.		DWN FENCER YU 25DEC2016	STE TE Connectivity	
DIMENSIONS: mm		CHK KOBBY ZHAO 25DEC2016		
TOLERANCES UNLESS OTHERWISE SPECIFIED:		APVD XIANG XU 25DEC2016	NAME	
0 PLC ± 0.50		2.5mm ² WIRE 1 IN 1 OUT SCREW		
1 PLC ± 0.40		TYPE TERMINAL BLOCK WITH GROUND FUNCTION		
2 PLC ± 0.30		114-137173		
3 PLC ± -		APPLICATION SPEC		
4 PLC ± -		114-137172		
ANGLES ± 3°		SIZE	CAGE CODE	DRAWING NO
MATERIAL -		A3 00779		RESTRICTED TO -
FINISH -		G=2271687		
		CUSTOMER DRAWING		SCALE 1:1
				SHEET 1 OF 1
				REV A