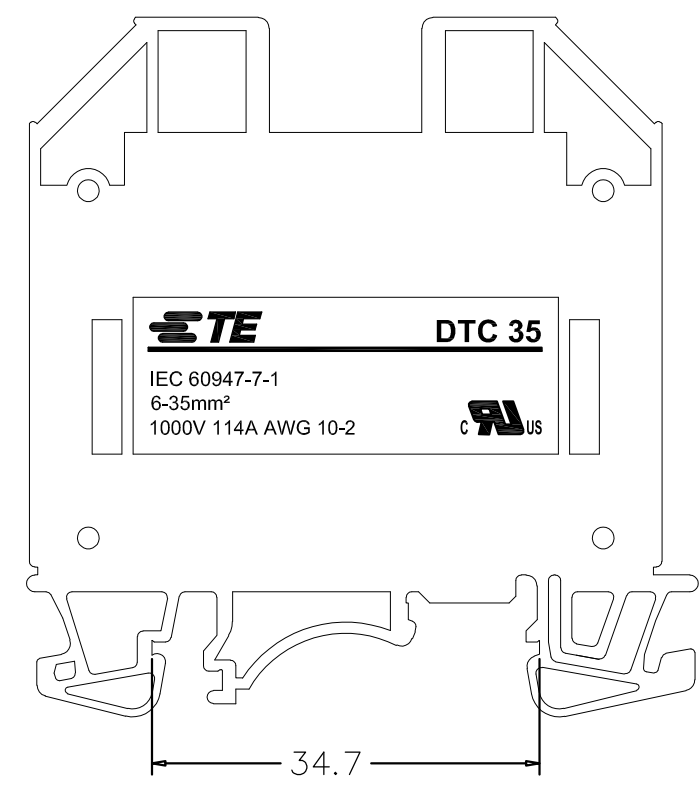
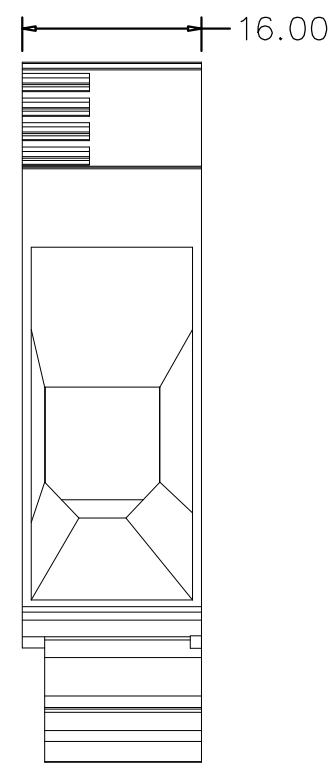
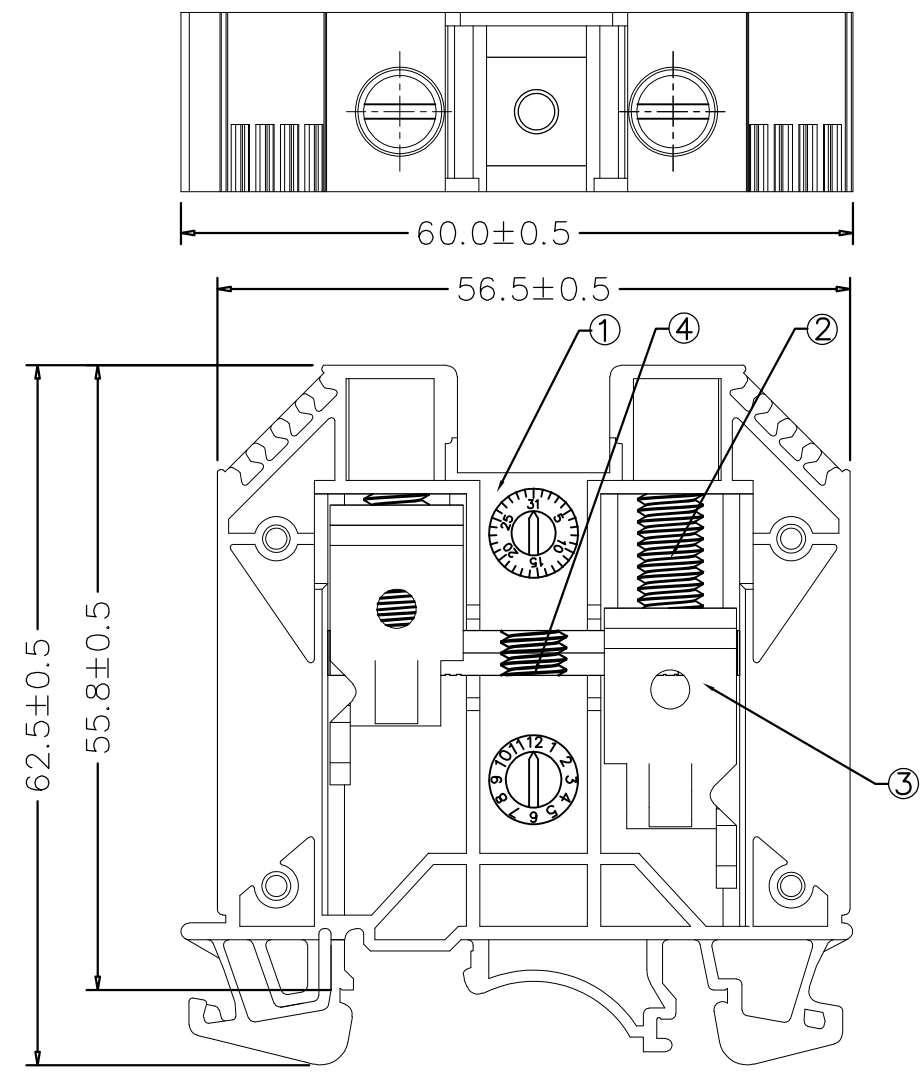


THIS DRAWING IS UNPUBLISHED. RELEASED FOR PUBLICATION
 © COPYRIGHT - By - ALL RIGHTS RESERVED.

REVISIONS				
P	LTR	DESCRIPTION	DATE	APVD
	A	OFFICIAL VERSION RELEASE	25DEC2016	F.Y X.X



NOTES:

1. Material: See table
2. Rated current & voltage : (UL)114Amp 1000V , (IEC)125Amp 1000V
3. Impulse withstand voltage: 8KV
4. Screw Size & torque: M6 , 51 lbs-in(5.76Nm)
5. Wire strip length: 16-18mm
6. Suitable wire size : 10 - 2 AWG(UL)10 - 2 AWG , (IEC)6-35mm²
7. Requirement for environmental substance must be compliance with ROHS and REACH.

ITEM	COMPONENTS	MATERIAL	Q'TY	PLATING
4	TERMINAL	COPPER	1	Tin Plated
3	CLAMP	STEEL	2	Zinc Plated
2	SCREW	STEEL	2	Zinc Plated
1	HOUSING	THERMOPLASTIC	1	

TE SERIES No.	PART NUMBER	COLOR
DTC 35	2271686-5	BLACK
	2271686-4	ORANGE
	2271686-3	RED
	2271686-2	BLUE
	2271686-1	GRAY

THIS DRAWING IS A CONTROLLED DOCUMENT.		DWN FENCER YU 25DEC2016	TE Connectivity	
DIMENSIONS: mm		CHK KOBBY ZHAO 25DEC2016		
TOLERANCES UNLESS OTHERWISE SPECIFIED:		APVD XIANG XU 25DEC2016	NAME 35mm ² WIRE 1 IN 1 OUT SCREW TYPE TERMINAL BLOCK	
0 PLC ± 0.50 1 PLC ± 0.40 2 PLC ± 0.30 3 PLC ± - 4 PLC ± - ANGLES ± 3°		PRODUCT SPEC 108-137172	RESTRICTED TO -	
MATERIAL -		APPLICATION SPEC 114-137172	SIZE A3	CAGE CODE 00779
FINISH -		WEIGHT 51 g	DRAWING NO C-2271686	SCALE 1:1
CUSTOMER DRAWING			SHEET 1 OF 1	REV A