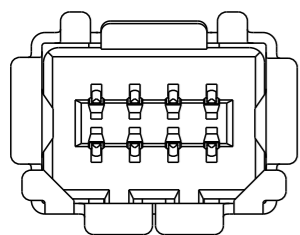
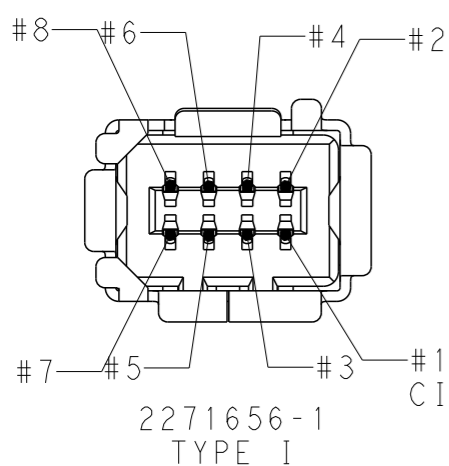
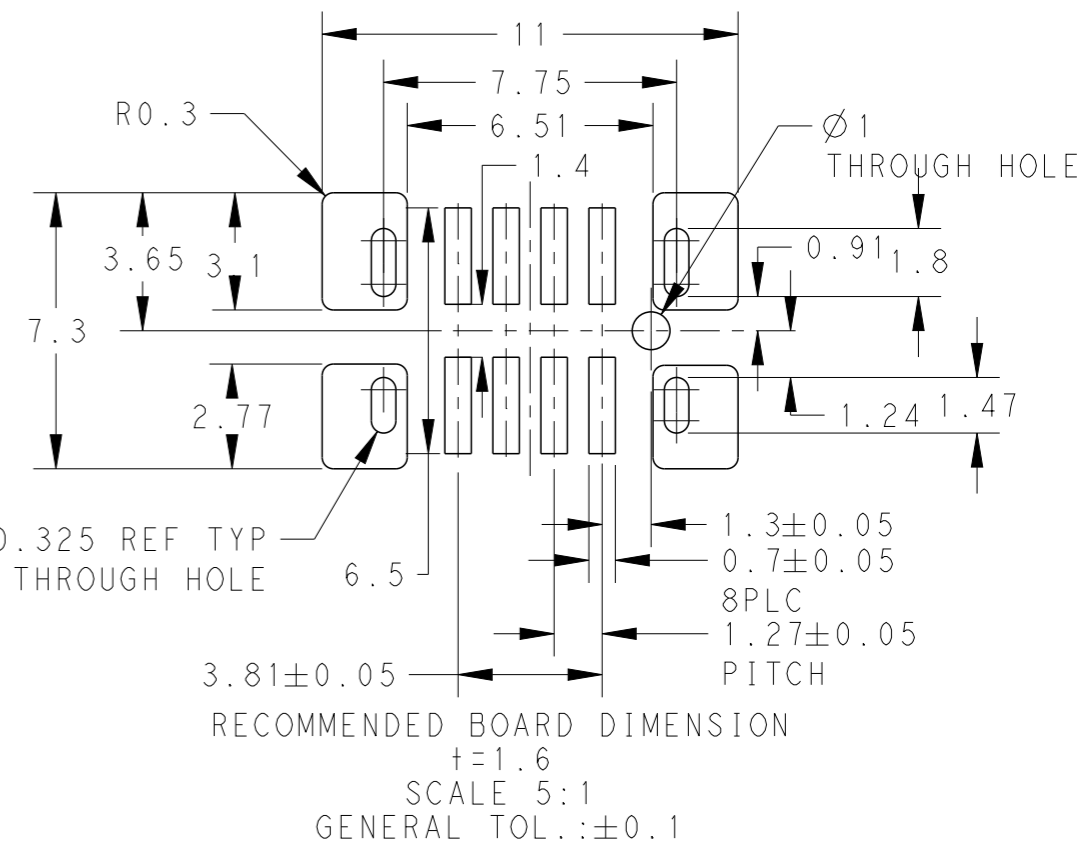
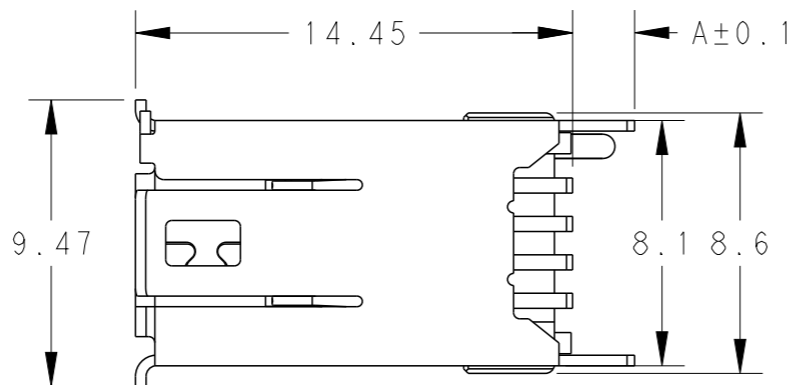


THIS DRAWING IS UNPUBLISHED. RELEASED FOR PUBLICATION
 © COPYRIGHT - BY - ALL RIGHTS RESERVED.

LOC	DIST	REVISIONS				
P	LTR	DESCRIPTION	DATE	DWN	APVD	
		C2	ADDED NEW PART VARIANT 4--1	19MAY2021	SS	JDB
		C3	PACKAGING DETAILS CORRECTED FOR 4-2271656-1	14SEP2021	SS	JDB
		C4	ECR-22-141699 CORRECT TAPE DIRECTION	08JUN2022	BP	LET
		C5	ECR-23-186192 ADD A CAP IN FGs	06SEP2023	BP	LET

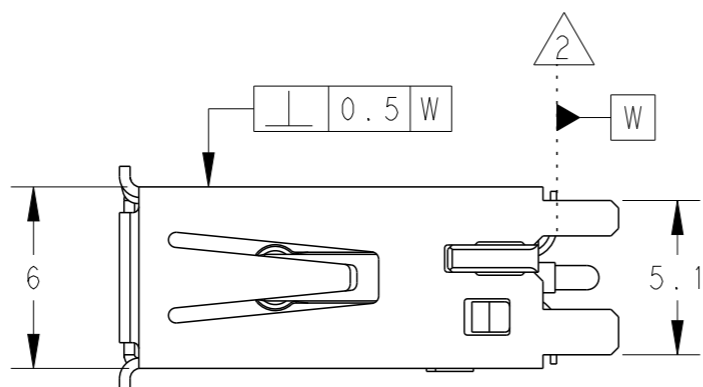


2271656-2
TYPE II

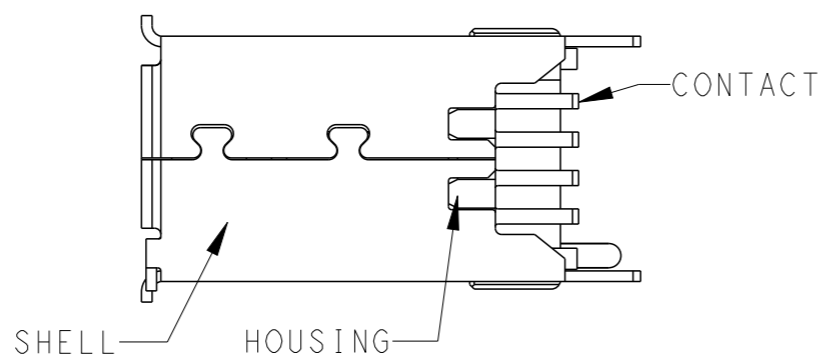
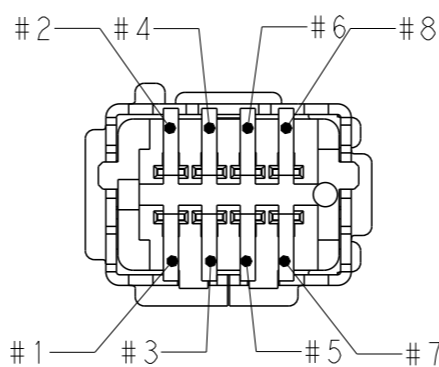


2271656-1
TYPE I

CIRCUIT NO



CIRCUIT NO



NOTES:
 1 MATERIAL AND FINISH
 CONTACT: COPPER ALLOY
 UNDER ALL SURFACE NICKEL 1.27µm MIN.
 TOP CONTACT AREA: SEE TABLE
 SOLDERING AREA: TIN PLATE
 HOUSING: THERMO PLASTIC (UL94V-0)
 SHELL: COPPER ALLOY
 UNDER ALL SURFACE NICKEL
 TOP ALL SURFACE TIN
 2 COPLANARITY 0.1 MAX (IN 8 TIPS OF CONTACTS)
 DATUM -W- IS THE SEATING PLANE FOR ALL 8 CONTACT LEGS
 3 GENERAL TOL.: ±0.3; ±5°

DIM	POS	TOP CONTACT AREA	DESCRIPTION	PART NO
1.5	8	GOLD 0.5µm MIN	TYPE I SMT RECEPTACLE WITH CAP ON EMBOSS TAPE	4-2271656-1
2.05	8	GOLD 0.76µm MIN	TYPE II SMT RECEPTACLE WITH CAP ON EMBOSS TAPE	3-2271656-2
2.05	8	GOLD 0.76µm MIN	TYPE I SMT RECEPTACLE WITH CAP ON EMBOSS TAPE	3-2271656-1
2.05	8	GOLD 0.5µm MIN	TYPE II SMT RECEPTACLE WITH CAP ON EMBOSS TAPE	2-2271656-2
2.05	8	GOLD 0.5µm MIN	TYPE I SMT RECEPTACLE WITH CAP ON EMBOSS TAPE	2-2271656-1
2.05	8	GOLD 0.5µm MIN	TYPE II SMT RECEPTACLE WITH CAP	1-2271656-2
2.05	8	GOLD 0.5µm MIN	TYPE I SMT RECEPTACLE WITH CAP	1-2271656-1
2.05	8	GOLD 0.5µm MIN	TYPE II SMT RECEPTACLE	2271656-2
2.05	8	GOLD 0.5µm MIN	TYPE I SMT RECEPTACLE	2271656-1

THIS DRAWING IS A CONTROLLED DOCUMENT.

DWN: LEAR ZHANG 01DEC2015
 CHK: KOBBY ZHAO 01DEC2015
 APVD: XU XIANG 01DEC2015

TE Connectivity

SMT VERTICAL MINI I/O RECEPTACLE
 1.27mm PITCH

PRODUCT SPEC: 108-106087

APPLICATION SPEC: -

WEIGHT: -

CUSTOMER DRAWING

SCALE: 4:1

SHEET 1 OF 5

REV C5

4

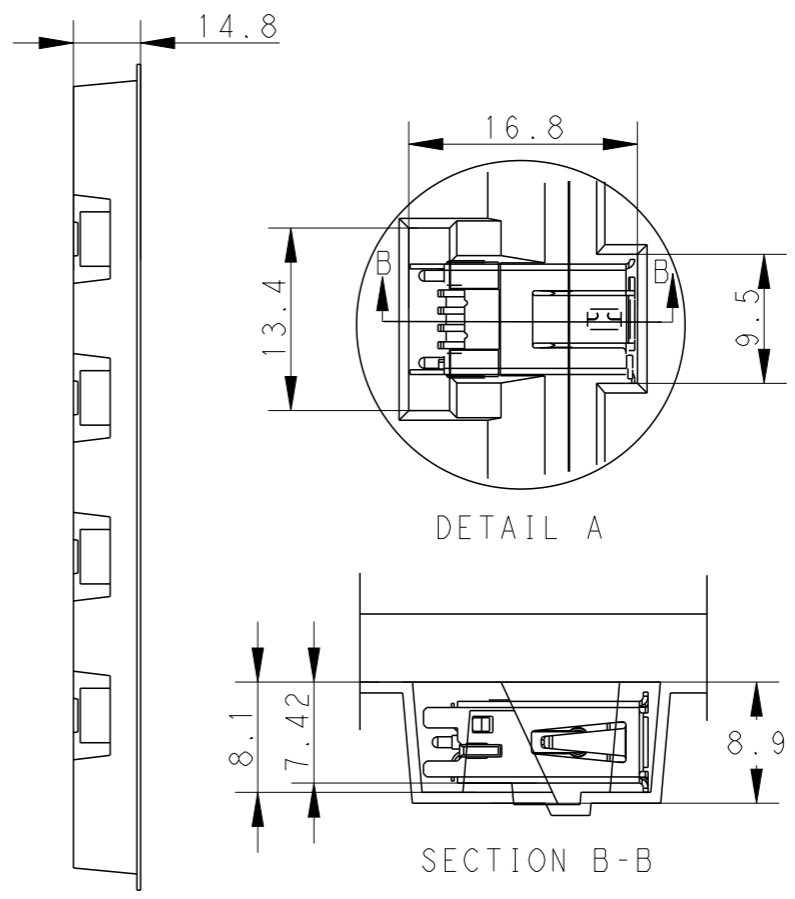
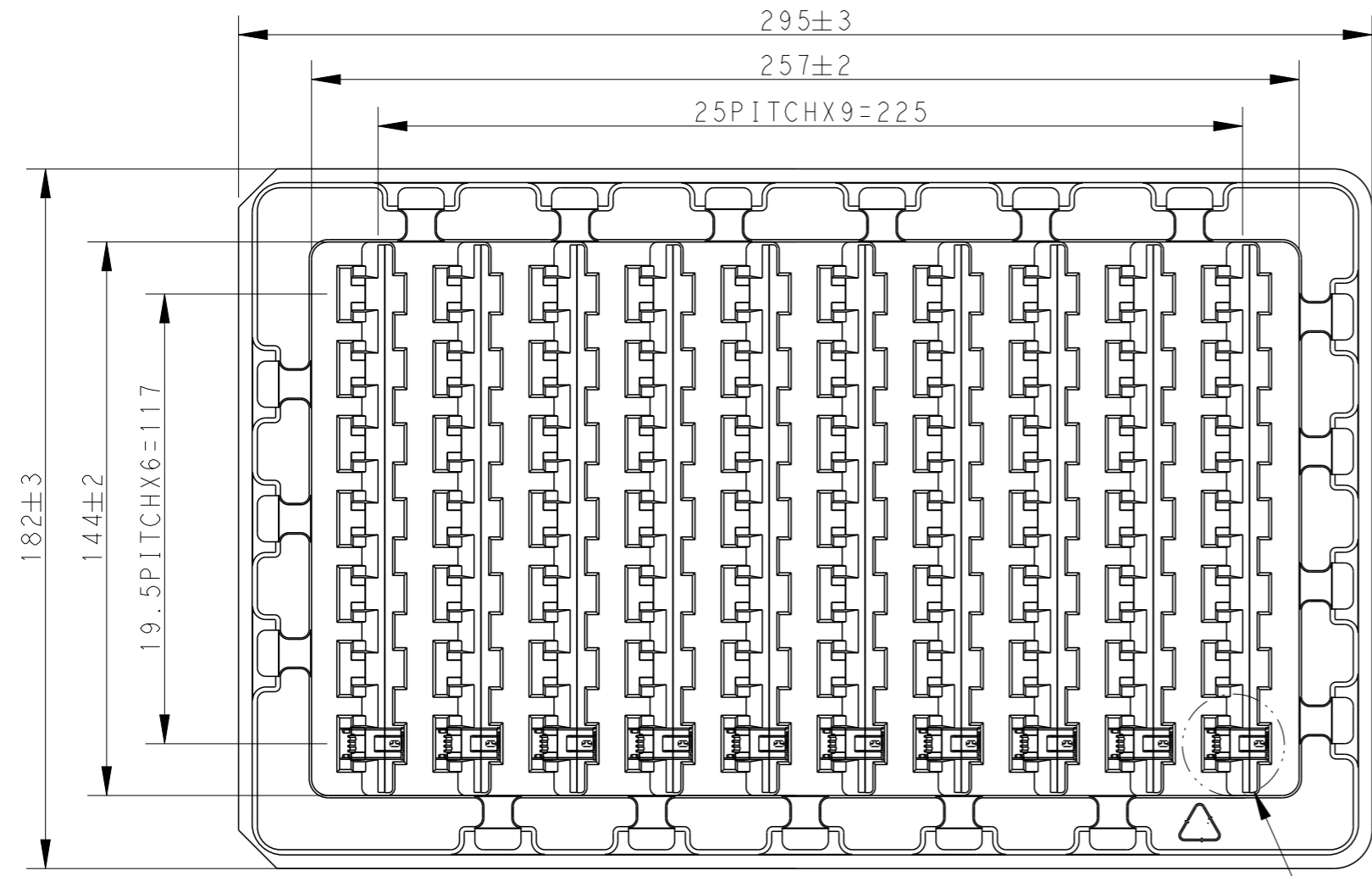
3

2

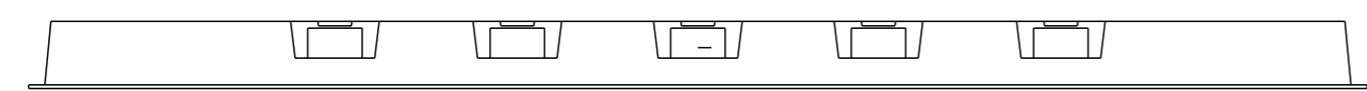
1

THIS DRAWING IS UNPUBLISHED. RELEASED FOR PUBLICATION
 © COPYRIGHT - BY - ALL RIGHTS RESERVED.

LOC	DIST	REVISIONS			
P	LTR	DESCRIPTION	DATE	DWN	APVD
-	-	SEE SHEET 1	-	-	-



SEE DETAIL A



NOTE:
 4 PACKAGE:
 70PCS PER TRAY FOR 2271656-1, 2271656-2

PACKAGE AS SHOWN	2271656-2 2271656-1
DESCRIPTION	PART NO

THIS DRAWING IS A CONTROLLED DOCUMENT.		DWN	01DEC2015	TE Connectivity NAME SMT VERTICAL MINI I/O RECEPTACLE 1.27mm PITCH	RESTRICTED TO		
DIMENSIONS: mm		CHK	01DEC2015				
TOLERANCES UNLESS OTHERWISE SPECIFIED:		APVD	01DEC2015				
0 PLC ±- 1 PLC ±- 2 PLC ±- 3 PLC ±- 4 PLC ±- ANGLES ±- MATERIAL - FINISH -		LEAR ZHANG KOBBY ZHAO XU XIANG PRODUCT SPEC 108-106087 APPLICATION SPEC - WEIGHT -	SIZE A3				
CUSTOMER DRAWING		SCALE	4:1	SHEET	2 OF 5	REV	C5

4

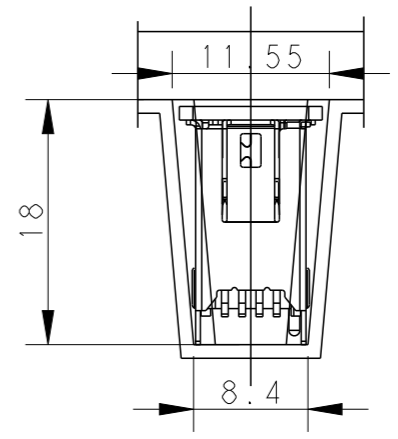
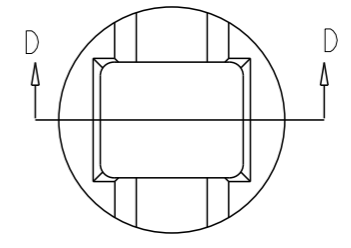
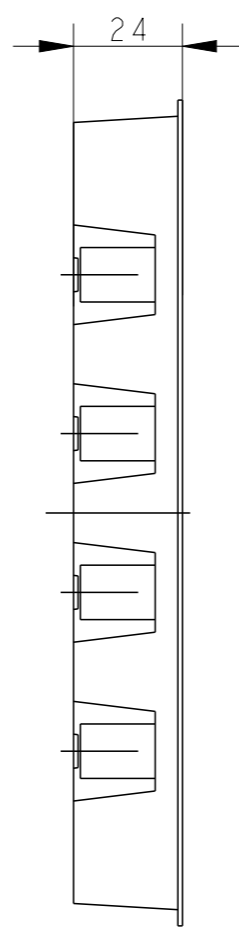
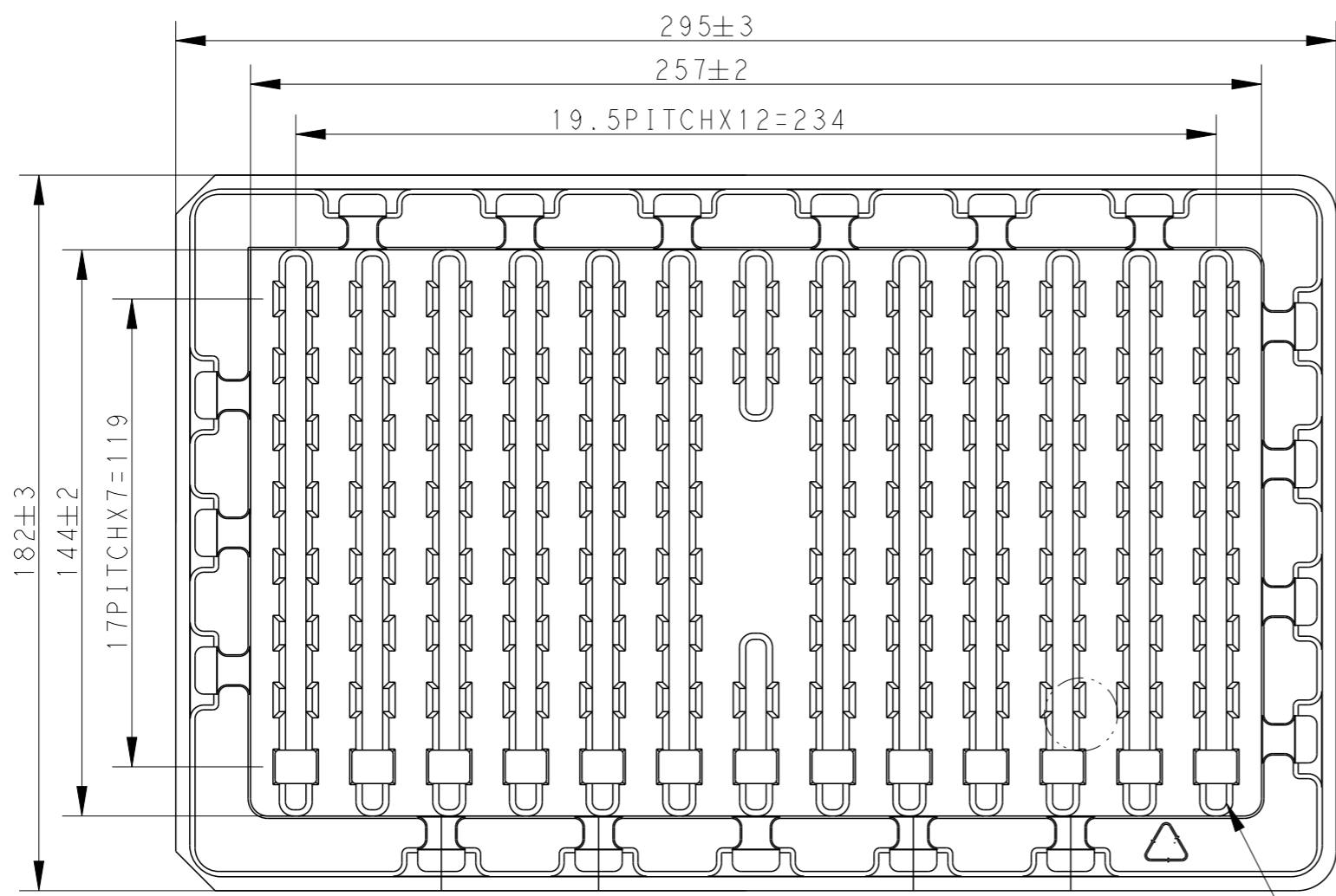
3

2

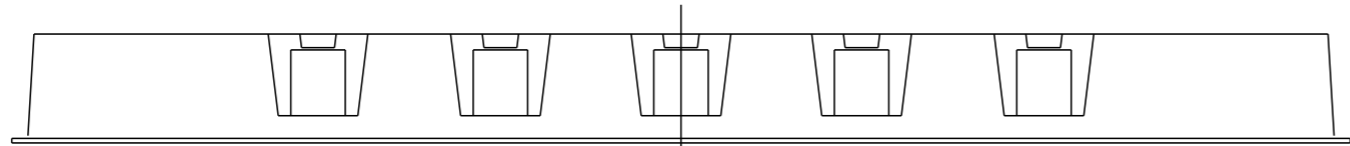
1

THIS DRAWING IS UNPUBLISHED. RELEASED FOR PUBLICATION
 © COPYRIGHT - BY - ALL RIGHTS RESERVED.

LOC	DIST	REVISIONS			
P	LTR	DESCRIPTION	DATE	DWN	APVD
-	-	SEE SHEET 1	-	-	-




SEE DETAIL C



NOTE:
 5 PACKAGE:
 100PCS PER TRAY FOR 1-2271656-1 & 1-2271656-2

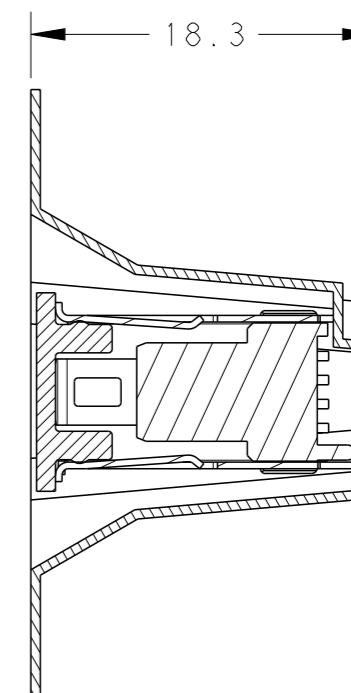
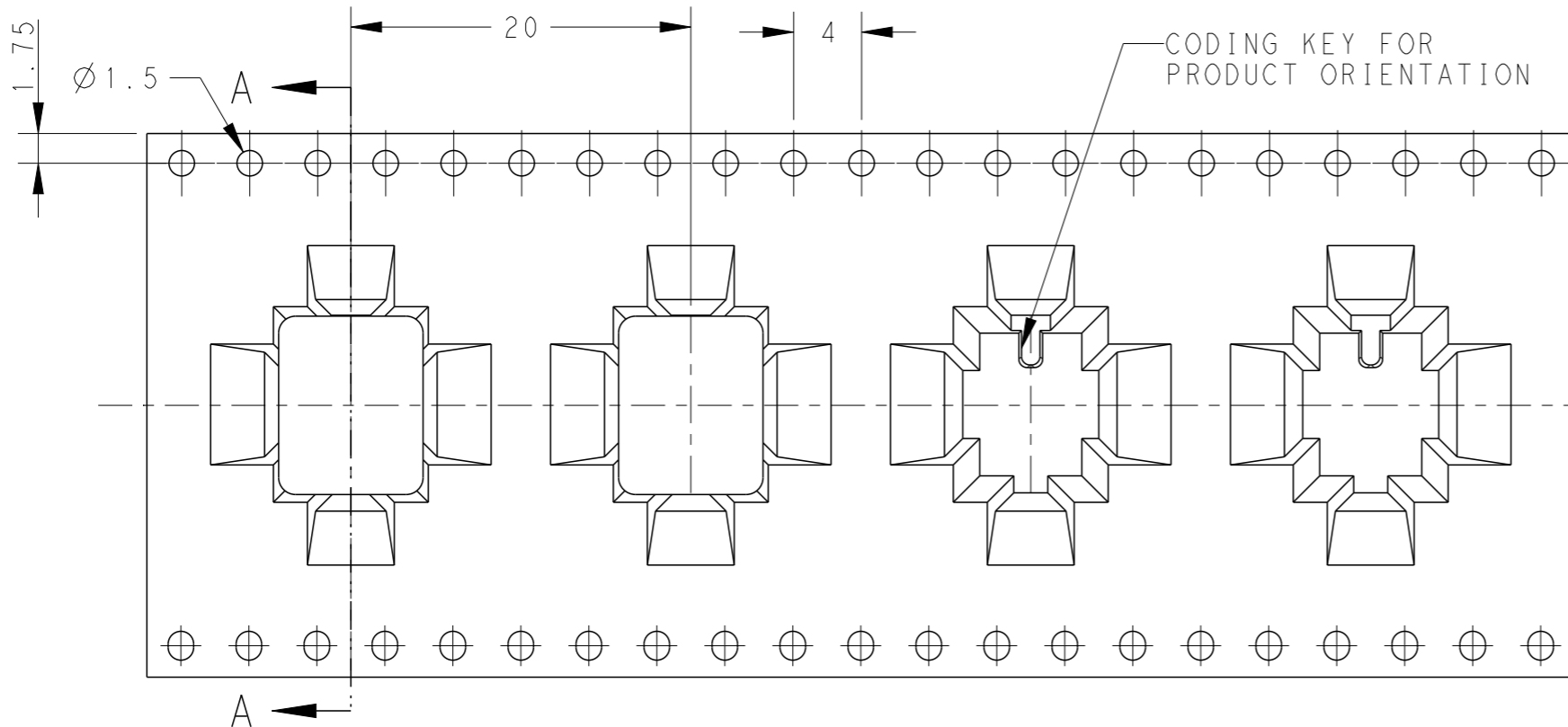
PACKAGE AS SHOWN	1-2271656-2 1-2271656-1
DESCRIPTION	PART NO

THIS DRAWING IS A CONTROLLED DOCUMENT.		DWN	01DEC2015	 TE Connectivity	NAME SMT VERTICAL MINI I/O RECEPTACLE 1.27mm PITCH
DIMENSIONS: mm		CHK	01DEC2015		
TOLERANCES UNLESS OTHERWISE SPECIFIED:		APVD	01DEC2015		
0 PLC ±- 1 PLC ±- 2 PLC ±- 3 PLC ±- 4 PLC ±- ANGLES ±-		PRODUCT SPEC	108-106087		
MATERIAL	-	FINISH	-	APPLICATION SPEC	-
		WEIGHT	-	SIZE	A3
		CUSTOMER DRAWING		CAGE CODE	-
				DRAWING NO	①-2271656
				RESTRICTED TO	-
				SCALE	4:1
				SHEET	3 OF 5
				REV	C5

THIS DRAWING IS UNPUBLISHED. RELEASED FOR PUBLICATION
 © COPYRIGHT - BY - ALL RIGHTS RESERVED.

LOC -
 DIST -

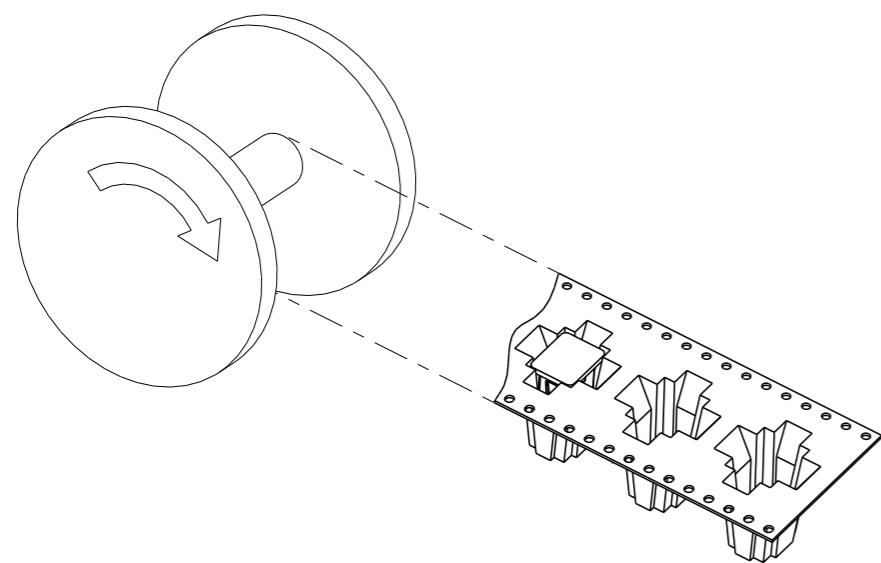
REVISIONS				
P	LTR	DESCRIPTION	DATE	APVD
-	-	SEE SHEET 1	-	-




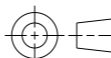
EMBOSS TAPE

USER DIRECTION
 OF UNREELING →

NOTE:
 6 PACKAGE:
 200PCS PER REEL FOR 2-2271656-1, 2-2271656-2,
 3-2271656-1 & 3-2271656-2



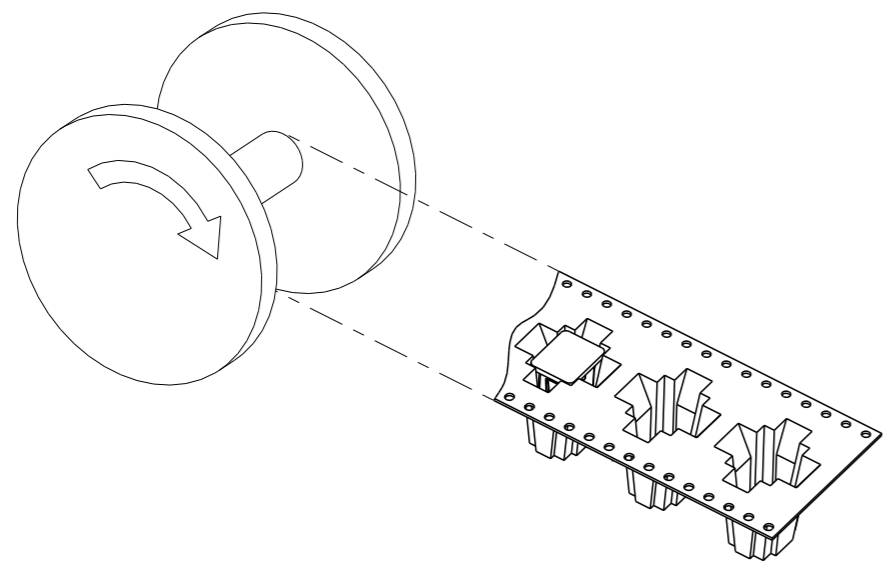
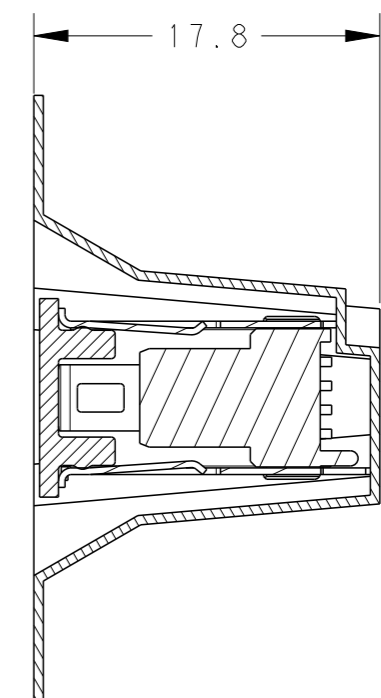
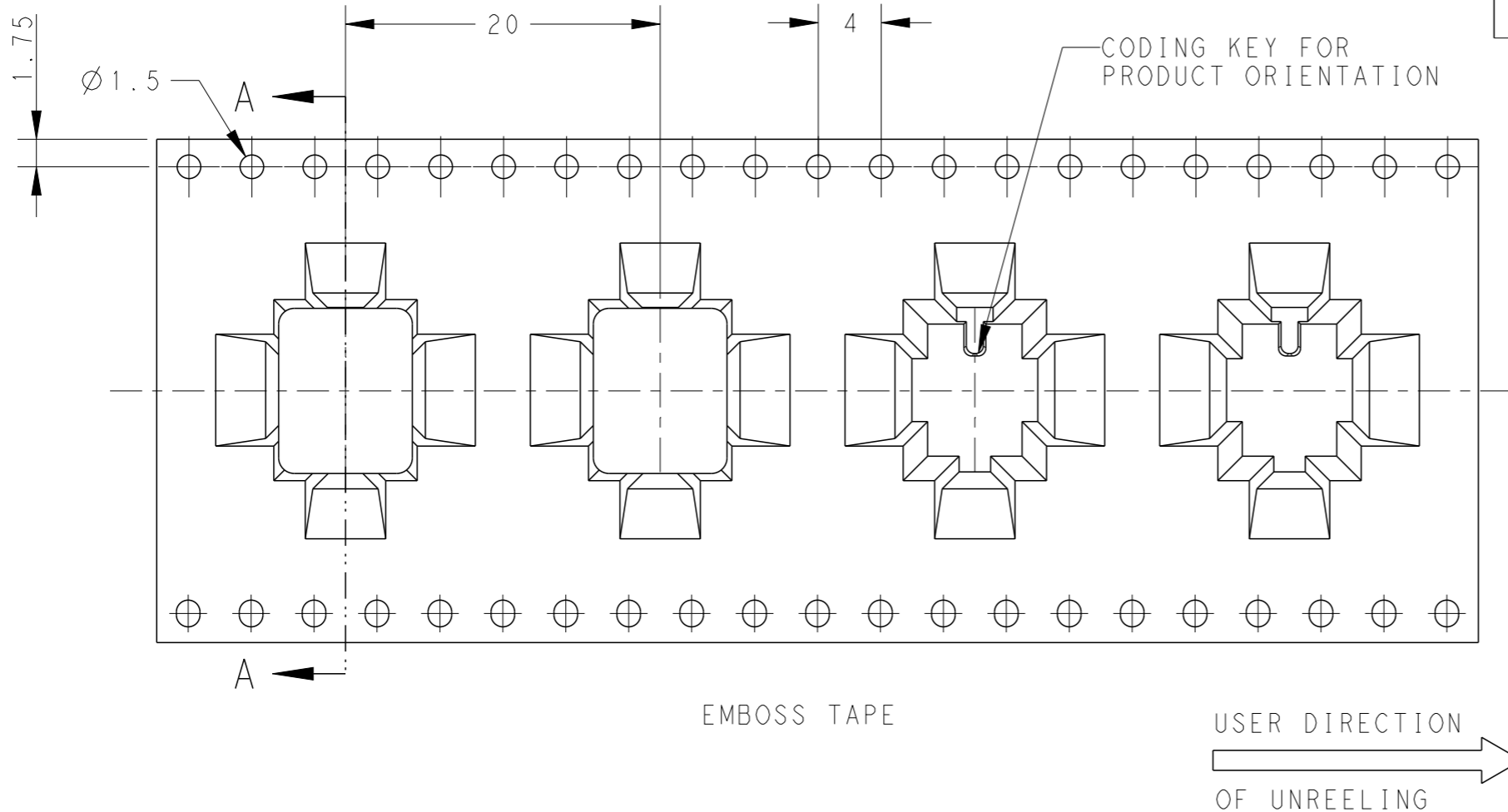
PACKAGE AS SHOWN	3-2271656-2
	3-2271656-1
	2-2271656-2
	2-2271656-1
DESCRIPTION	PART NO

THIS DRAWING IS A CONTROLLED DOCUMENT.		DWN	01DEC2015	 TE Connectivity	NAME SMT VERTICAL MINI I/O RECEPTACLE 1.27mm PITCH
DIMENSIONS: mm		CHK	01DEC2015		
		APVD	01DEC2015		
TOLERANCES UNLESS OTHERWISE SPECIFIED:		PRODUCT SPEC	108-106087		
0 PLC ±- 1 PLC ±- 2 PLC ±- 3 PLC ±- 4 PLC ±- ANGLES ±-		APPLICATION SPEC	-	SIZE	A3
MATERIAL -		FINISH -	WEIGHT -	CAGE CODE	-
CUSTOMER DRAWING			SCALE	4:1	SHEET
			RESTRICTED TO	-	4 OF 5
			REV	C5	

THIS DRAWING IS UNPUBLISHED. RELEASED FOR PUBLICATION
 © COPYRIGHT - BY - ALL RIGHTS RESERVED.


LOC -
 DIST -

REVISIONS					
P	LTR	DESCRIPTION	DATE	DWN	APVD
-	-	SEE SHEET 1	-	-	-



NOTE:
 7 PACKAGE:
 230PCS PER REEL FOR 4-2271656-1

PACKAGE AS SHOWN	4-2271656-1
DESCRIPTION	PART NO

THIS DRAWING IS A CONTROLLED DOCUMENT.		DWN	01DEC2015	 TE Connectivity	NAME SMT VERTICAL MINI I/O RECEPTACLE 1.27mm PITCH
DIMENSIONS: mm		LEAR ZHANG	01DEC2015		
TOLERANCES UNLESS OTHERWISE SPECIFIED:		CHK	01DEC2015		
0 PLC \pm - 1 PLC \pm - 2 PLC \pm - 3 PLC \pm - 4 PLC \pm - ANGLES \pm -		APVD	01DEC2015		
MATERIAL -		XU XIANG	PRODUCT SPEC	-	
FINISH -		108-106087	APPLICATION SPEC	-	
-		WEIGHT	-	SIZE	A3
-		CUSTOMER DRAWING	-	CAGE CODE	-
-		SCALE	4:1	DRAWING NO	C-2271656
-		SHEET	5 OF 5	RESTRICTED TO	-
-		REV	C5	-	