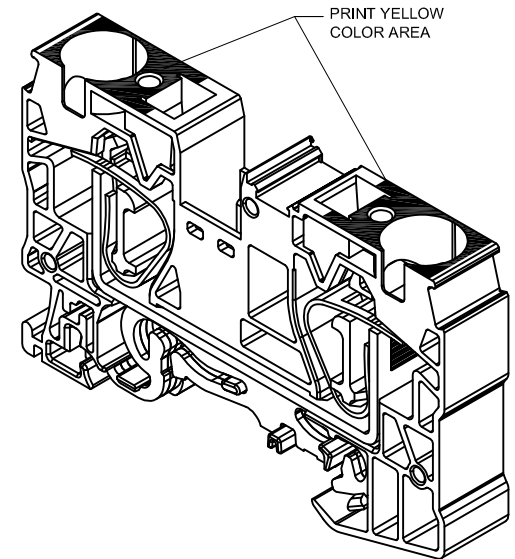
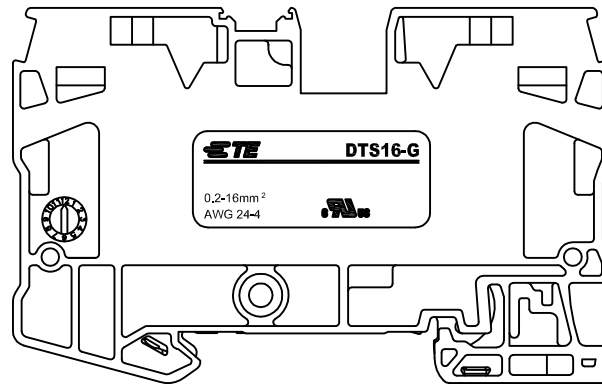
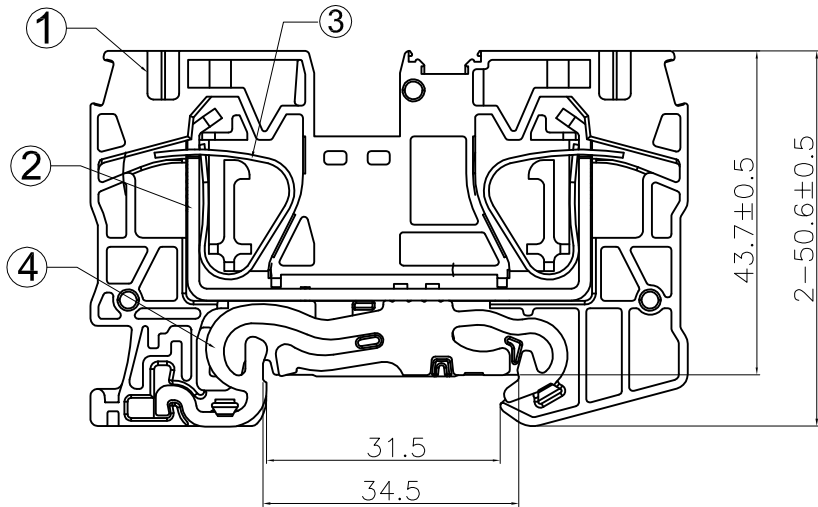


THIS DRAWING IS UNPUBLISHED. RELEASED FOR PUBLICATION
 © COPYRIGHT - By - ALL RIGHTS RESERVED.

REVISIONS				
P	LTR	DESCRIPTION	DATE	DWN APVD
A		OFFICIAL VERSION RELEASE	18DEC2015	F.Y X.X
A1		PER ECR-16-006247	16JUN2016	F.Y X.X



ITEM	COMPONENTS	MATERIAL	QTY	PLATING
4	GROUND TERMINAL	COPPER ALLOY	3	TIN PLATED
3	SPRING CLAMP	STAINLESS STEEL	2	
2	TERMINAL	COPPER	1	TIN PLATED
1	HOUSING	THERMOPLASTIC	1	



NOTE:

1. Material: See Table
2. Operation temperature : -40°C to +105°C
3. Wire strip length: 16mm -18mm
4. Suitable wire size : 24 - 4 AWG
5. Requirement for environmental substance must be compliance with ROHS and REACH.
6. Recommended support rail requirements refer to 114 application specification.

DTS16-G	2271592-1	GREEN
TE SERIES No.	PART NUMBER	COLOR

THIS DRAWING IS A CONTROLLED DOCUMENT.		DWN FENCER YU 16JUN2016	STE TE Connectivity													
		CHK KOBBY ZHAO 16JUN2016														
DIMENSIONS: mm		APVD XIANG XU 16JUN2016	NAME													
TOLERANCES UNLESS OTHERWISE SPECIFIED:		PRODUCT SPEC	16mm ² WIRE 1 IN 1 OUT SPRING CLAMP TYPE TERMINAL BLOCK WITH GROUND FUNCTION													
<table border="0"> <tr><td>0 PLC</td><td>± 0.50</td></tr> <tr><td>1 PLC</td><td>± 0.40</td></tr> <tr><td>2 PLC</td><td>± 0.30</td></tr> <tr><td>3 PLC</td><td>± -</td></tr> <tr><td>4 PLC</td><td>± -</td></tr> <tr><td>ANGLES</td><td>± 3°</td></tr> </table>		0 PLC	± 0.50	1 PLC	± 0.40	2 PLC	± 0.30	3 PLC	± -	4 PLC	± -	ANGLES	± 3°	APPLICATION SPEC	SIZE CAGE CODE DRAWING NO RESTRICTED TO	
0 PLC	± 0.50															
1 PLC	± 0.40															
2 PLC	± 0.30															
3 PLC	± -															
4 PLC	± -															
ANGLES	± 3°															
MATERIAL FINISH		114-137138	A300779 C=2271592													
		WEIGHT 46.64 g														
		CUSTOMER DRAWING	SCALE 1:1	SHEET 1 OF 1 REV A1												