

THIS DRAWING IS UNPUBLISHED.

RELEASED FOR PUBLICATION

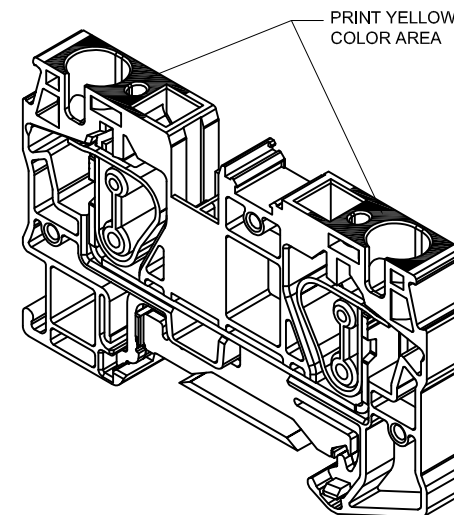
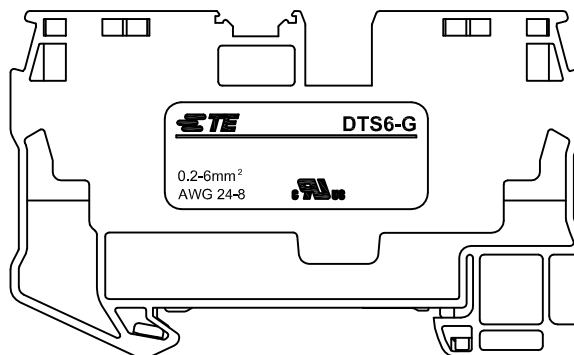
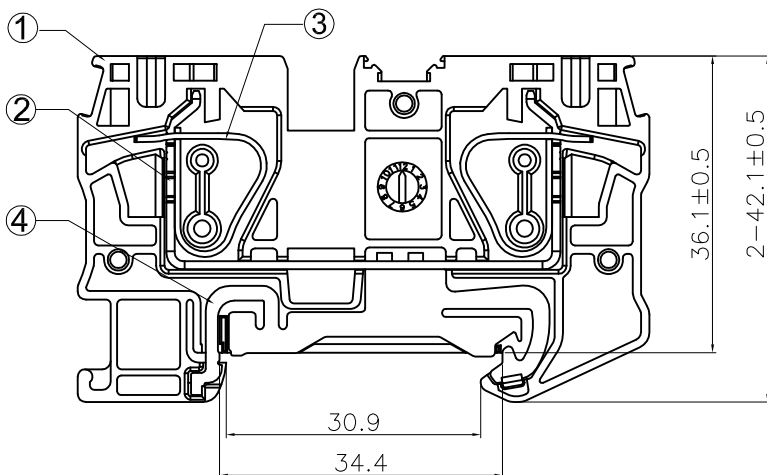
ALL RIGHTS RESERVED.

REVISIONS

P	LTR	DESCRIPTION	DATE	DWN	APVD
A		OFFICIAL VERSION RELEASE	18DEC2015	F.Y	X.X
A1		PER ECR-16-006247	16JUN2016	F.Y	X.X



ITEM	COMPONENTS	MATERIAL	Q'TY	PLATING
4	GROUND TERMINAL	COPPER ALLOY	2	TIN PLATED
3	SPRING CLAMP	STAINLESS STEEL	2	
2	TERMINAL	COPPER	1	TIN PLATED
1	HOUSING	THERMOPLASTIC	1	



NOTE:

1. Material: See Table
2. Operation temperature : -40°C to +105°C
3. Wire strip length: 10mm -12mm
4. Suitable wire size : 24 - 8 AWG
5. Requirement for environmental substance must be compliance with ROHS and REACH.
6. Recommended support rail requirements refer to 114 application specification.

DTS 6-G	2271588-1	GREEN
TE SERIES No.	PART NUMBER	COLOR

THIS DRAWING IS A CONTROLLED DOCUMENT.		DWN FENCER YU 16JUN2016	TE Connectivity	
		CHK KOBBY ZHAO 16JUN2016		
DIMENSIONS: mm		APVD XIANG XU 16JUN2016	NAME 6mm ² WIRE 1 IN 1 OUT SPRING CLAMP TYPE TERMINAL BLOCK WITH GROUND FUNCTION	
		PRODUCT SPEC 108-137142	RESTRICTED TO -	
TOLERANCES UNLESS OTHERWISE SPECIFIED: 0 PLC ± 0.50 1 PLC ± 0.40 2 PLC ± 0.30 3 PLC ± - 4 PLC ± - ANGLES ± 3°		APPLICATION SPEC 114-137138	SIZE A3	CAGE CODE 00779
MATERIAL -	FINISH -	WEIGHT 23.60 g	DRAWING NO C=2271588	SCALE 1:1
CUSTOMER DRAWING			SHEET 1 OF 1	REV A1