

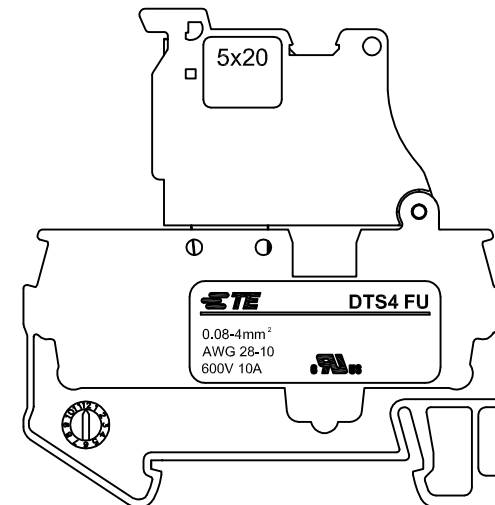
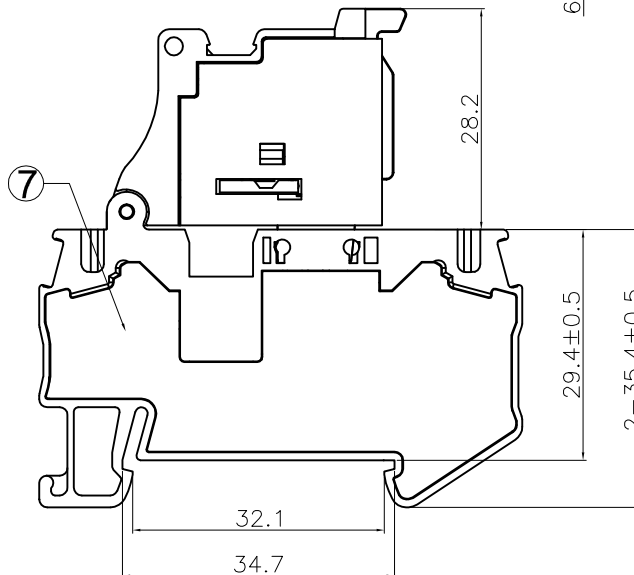
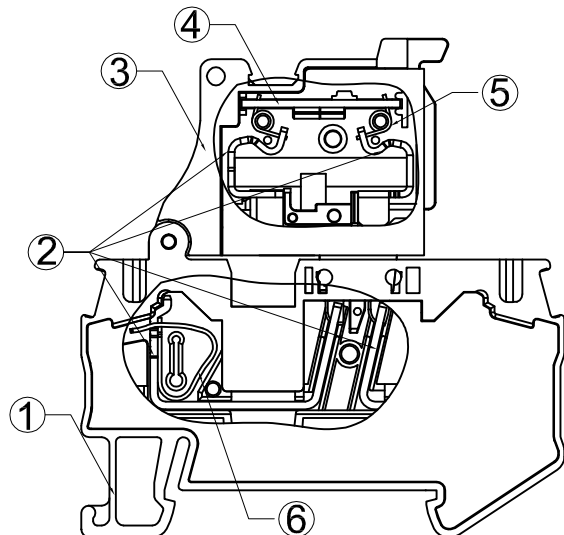
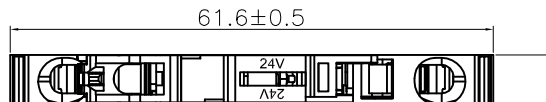
THIS DRAWING IS UNPUBLISHED.

RELEASED FOR PUBLICATION

ALL RIGHTS RESERVED.

REVISIONS

P	LTR	DESCRIPTION	DATE	DWN	APVD
A		OFFICIAL VERSION RELEASE	18DEC2015	F.Y	X.X
A1		PER ECR-16-006247	16JUN2016	F.Y	X.X



NOTE:

1. Material: See Table
2. Rated current & voltage : 10Amp ,24V(follow LED)
3. Rated surge voltage: 4KV
4. Operation temperature : -40°C to +105°C
5. Wire strip length: 8mm -10mm
6. Suitable wire size : 28 - 10 AWG
7. Fuse:G/5x20
8. Requirement for environmental substance must be compliance with ROHS and REACH.
9. Recommended support rail requirements refer to 114 application specification.

ITEM	COMPONENTS	MATERIAL	QTY	PLATING
7	COVER	THERMOPLASTIC	1	
6	SPRING CLAMP	STAINLESS STEEL	2	
5	SPRING	COPPER ALLOY	2	
4	LED MODULE	/	1	
3	HOUSING 2	THERMOPLASTIC	1	
2	TERMINAL	COPPER	4	TIN PLATED
1	HOUSING 1	THERMOPLASTIC	1	

DTS4 FULED 24	2271583-1	BLACK
TE SERIES No.	PART NUMBER	COLOR

THIS DRAWING IS A CONTROLLED DOCUMENT.

DIMENSIONS: mm	TOLERANCES UNLESS OTHERWISE SPECIFIED: 0 PLC ± 0.50 1 PLC ± 0.40 2 PLC ± 0.30 3 PLC ± 4 PLC ± ANGLES ±	DWN FENCER YU 16JUN2016	TE Connectivity	
		CHK KOBBY ZHAO 16JUN2016	NAME 4mm ² WIRE 1 IN 1 OUT SPRING CLAMP TERMINAL BLOCK ,FUSE TYPE WITH LED	
		APVD XIANG XU 16JUN2016	PRODUCT SPEC 108-137138	
MATERIAL	FINISH	APPLICATION SPEC 114-137138	SIZE A3	CAGE CODE 00779
		WEIGHT 14.55 g	DRAWING NO C=2271583	RESTRICTED TO -
CUSTOMER DRAWING			SCALE 1:1	SHEET 1 OF 1
			REV A1	