

4

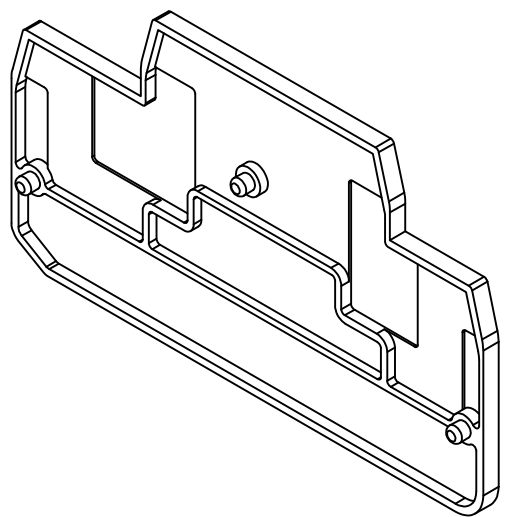
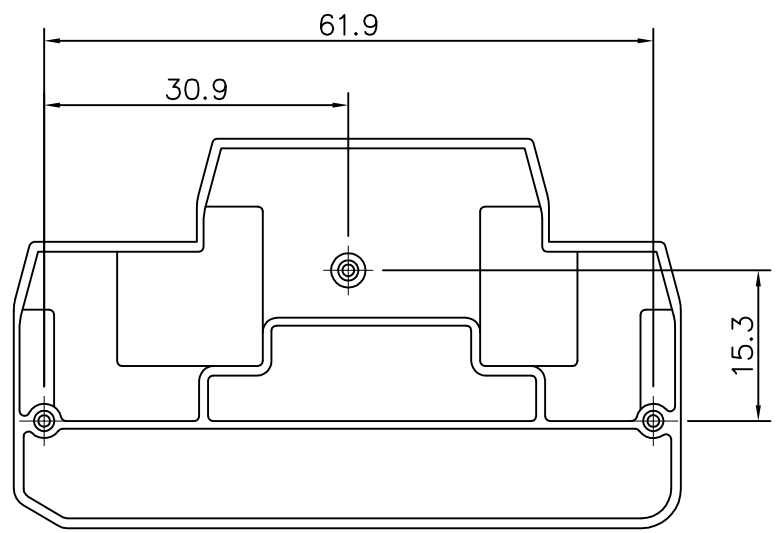
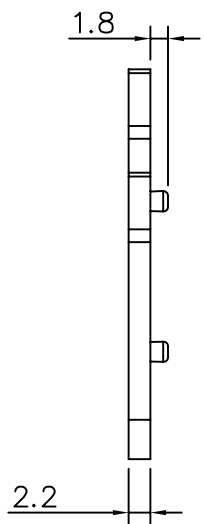
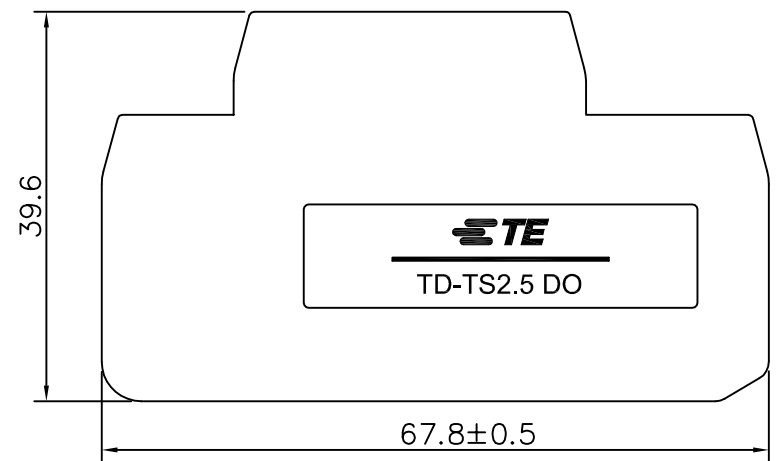
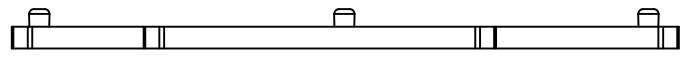
3

2

1

THIS DRAWING IS UNPUBLISHED. RELEASED FOR PUBLICATION
 © COPYRIGHT - By - ALL RIGHTS RESERVED.

REVISIONS				
P	LTR	DESCRIPTION	DATE	APVD
A		OFFICIAL VERSION RELEASED	20SEP2015	F.Y X.X



NOTES:

1. MATERIAL:THERMOPLASTIC;
2. APPLICABLE TO PRODUCT SERIES:
2.5mm^2,TWO LEVEL 1 IN 1 OUT SERIES;
3. REQUIREMENT FOR ENVIRONMENTAL SUBSTANCES
MUST BE COMPLIANCE WITH ROHS AND REACH.

TD-TS2.5 DO	2271564-2	GREEN
	2271564-1	GRAY
TE SERIES No.	PART NUMBER	COLOR

THIS DRAWING IS A CONTROLLED DOCUMENT.		DWN FENCER YU 20SEP2015	TE Connectivity	
		CHK KOBBY ZHAO 20SEP2015		
DIMENSIONS: mm	TOLERANCES UNLESS OTHERWISE SPECIFIED:	APVD XIANG XU 20SEP2015	NAME	
	0 PLC ± 0.50	PRODUCT SPEC	TERMINAL BLOCK	
	1 PLC ± 0.35	APPLICATION SPEC	SIDE COVER FOR SPRING CLAMP TYPE	
	2 PLC ± 0.30	114-137138	SIZE	RESTRICTED TO
	3 PLC ± -		A3	-
	4 PLC ± -		CAGE CODE	DRAWING NO
	ANGLES ± 3°		000779	C=2271564
MATERIAL	FINISH	WEIGHT	SCALE 1:1 SHEET 1 OF 1 REV A	
-	-	-	CUSTOMER DRAWING	