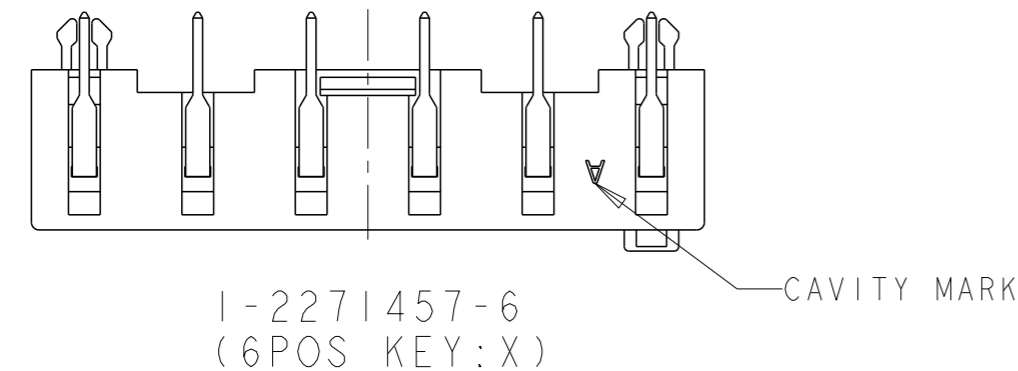
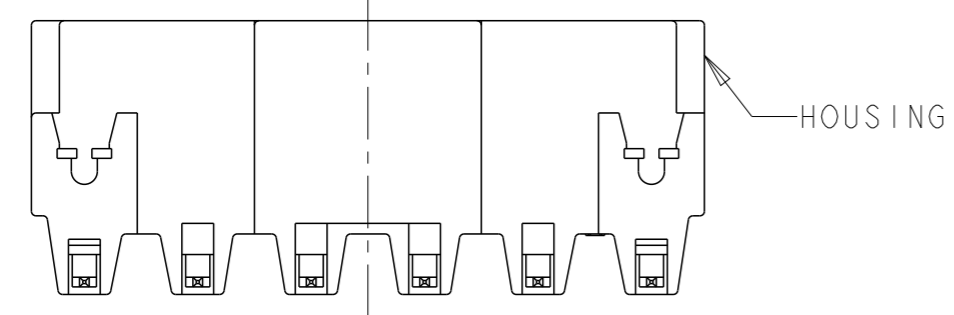
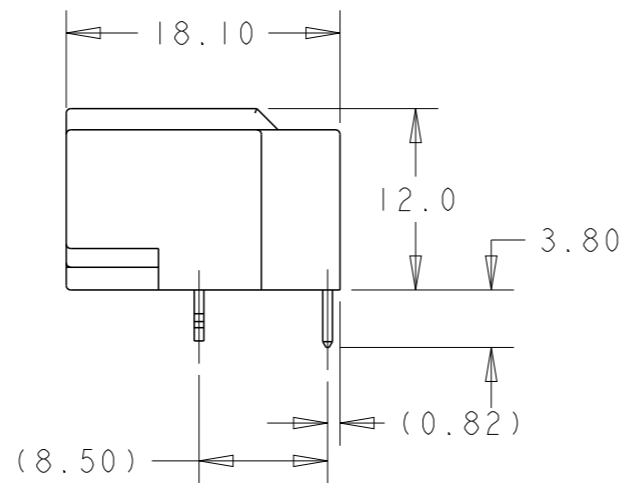
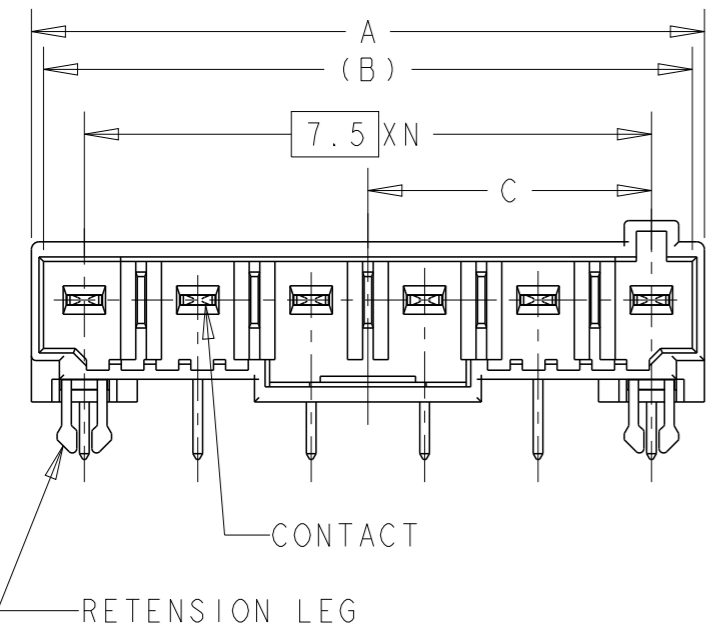
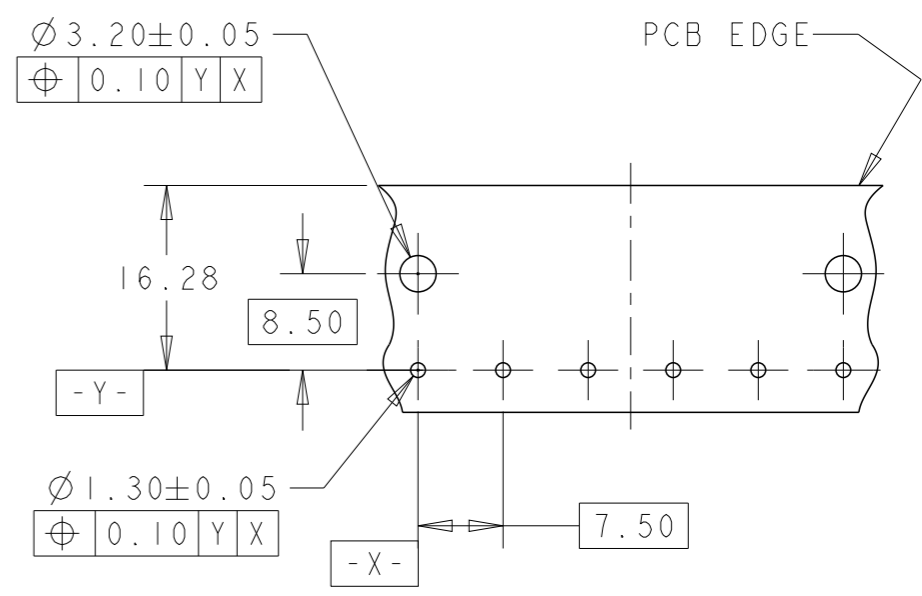
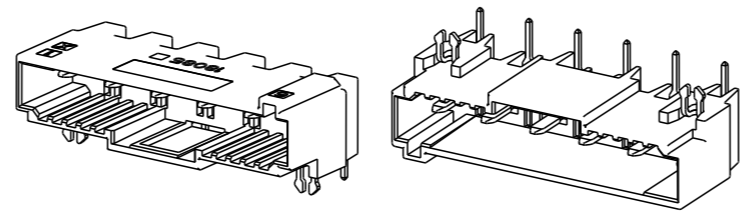
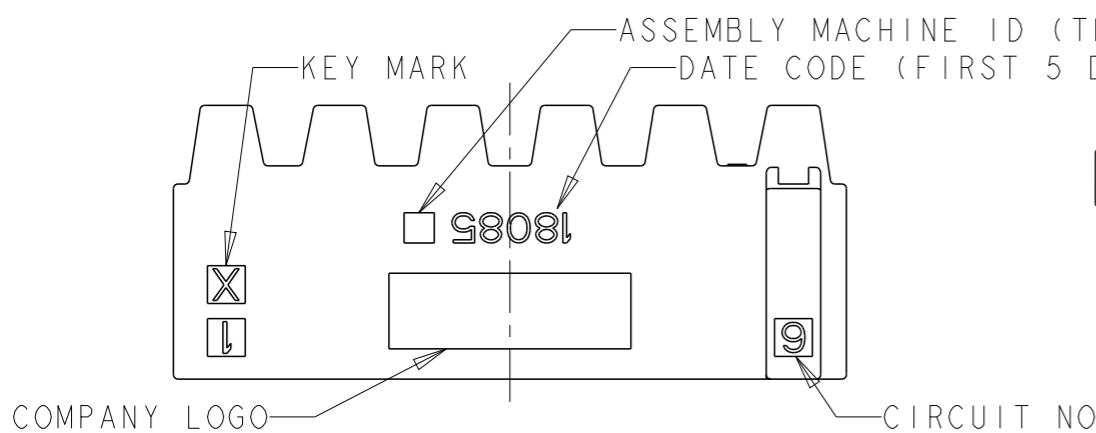


THIS DRAWING IS UNPUBLISHED. RELEASED FOR PUBLICATION 20
 © COPYRIGHT 20 BY - ALL RIGHTS RESERVED.

REVISIONS					
P	LTR	DESCRIPTION	DATE	DWN	APVD
B		REVISED	12JUN2018	K.T	E.I
BI		REVISED	31JULY2018	K.T	E.I
C		REVISED PER ECR-19-009855	25JUN2019	R.I	E.I
D		REVISED PER ECR-19-012255	05AUG2019	R.I	E.I

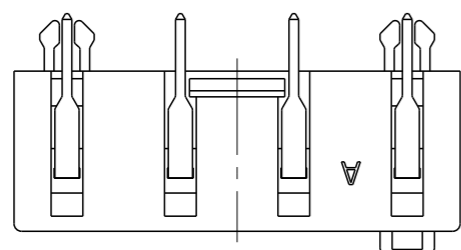
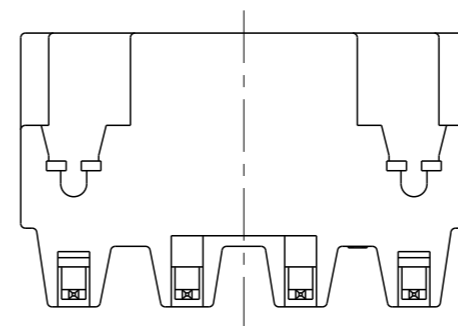
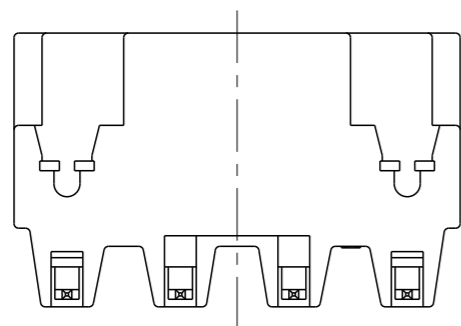
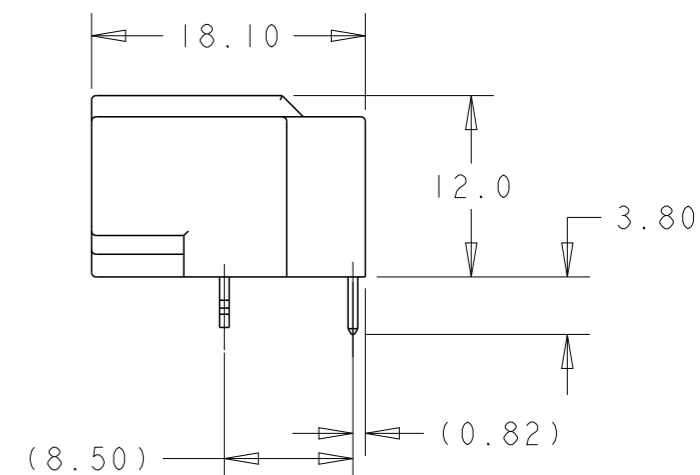
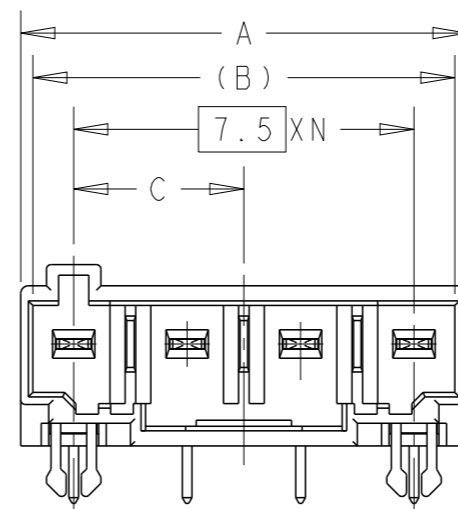
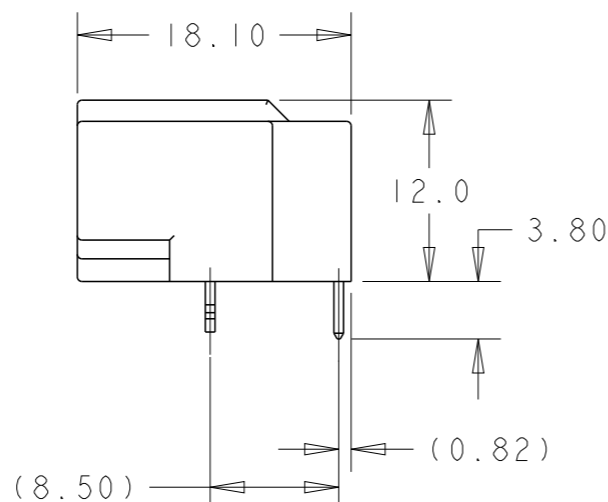
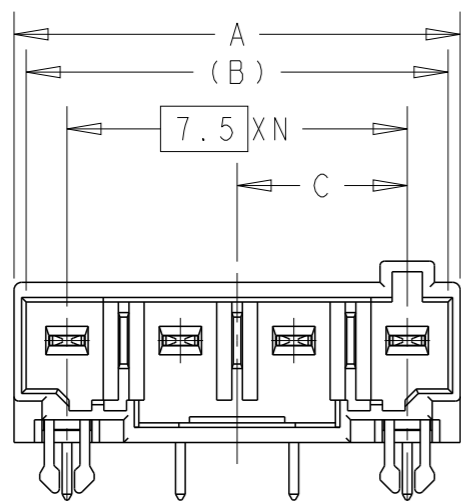
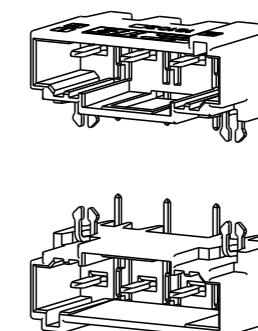
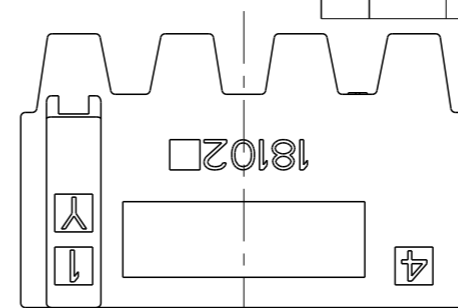
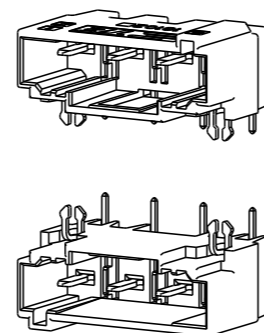
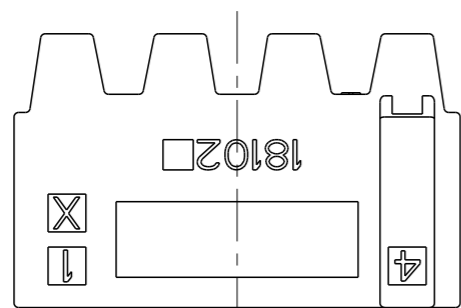


- 1 COMPLIES WITH DIRECTIVES 2002/95/EC (ROHS)
- 2 RATED VOLTAGE: 600VAC,
- 3 APPLICATION CABLE: 22AWG~14AWG
- 4 OPERATION TEMPERATURE: -30°C~105°C
- 5 CONTACT RESISTANCE: 10mΩ MAX. INITIAL
- 6 INSULATION RESISTANCE: 1000MΩ MIN. INITIAL
- 7 NOTE DELETED

X	8	7	26.25	57.90	59.50	1-2271457-8
X	6	5	18.75	42.90	44.50	1-2271457-6
Y	4	3	11.25	27.90	29.50	2-2271457-4
X	4	3	11.25	27.90	29.50	1-2271457-4
KEY MARK	POS	N	DIM.C	DIM.B	DIM.A	ASSEMBLY P/N

THIS DRAWING IS A CONTROLLED DOCUMENT.		DWN	13JAN2015	STE TE Connectivity
DIMENSIONS: mm		CHK	13JAN2015	
TOLERANCES UNLESS OTHERWISE SPECIFIED:		APVD	13JAN2015	
0 PLC ±0.50		NAME	DYNAMIC 3950	
1 PLC ±0.30		PRODUCT SPEC	HEADER ASSEMBLY	
2 PLC ±0.30		APPLICATION SPEC	-	
3 PLC ±0.30		WEIGHT	-	
4 PLC ±0.30		CUSTOMER DRAWING	SCALE 1:1	
ANGLES ±3°		FINISH	SHEET 1 OF 3	
MATERIAL SEE NOTE			REV E	

P	LTR	DESCRIPTION	DATE	DWN	APVD
		SEE SHEET 1			



1-2271457-4
(4POS KEY: X)

2-2271457-4
(4POS KEY: Y)

THIS DRAWING IS A CONTROLLED DOCUMENT.

DIMENSIONS:	TOLERANCES UNLESS OTHERWISE SPECIFIED:
mm	
	0 PLC ±-
	1 PLC ±0.50
	2 PLC ±0.30
	3 PLC ±-
	4 PLC ±-
MATERIAL	FINISH
-	-

DWN	13JAN2015
CHK	Ning Wang
CHK	13JAN2015
CHK	Kobby Zhao
APVD	13JAN2015
APVD	Xiang Xu
PRODUCT SPEC	108-78997
APPLICATION SPEC	411-78272
WEIGHT	-
CUSTOMER DRAWING	

		NAME		RESTRICTED TO
		DYNAMIC 3950 HEADER ASSEMBLY		
SIZE	CAGE CODE	DRAWING NO		
A3	-	©-2271457		
SCALE		SHEET	OF	REV
1:1		2	3	E

THIS DRAWING IS UNPUBLISHED.

RELEASED FOR PUBLICATION

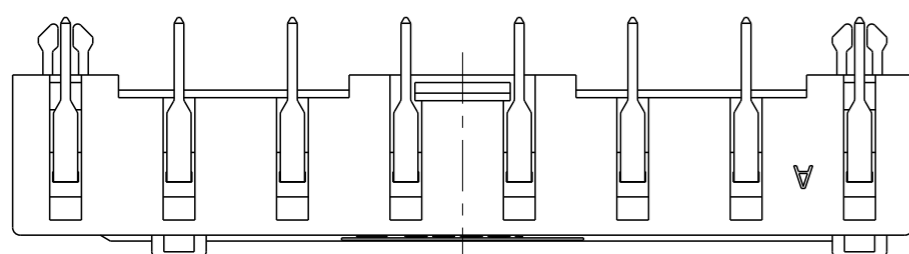
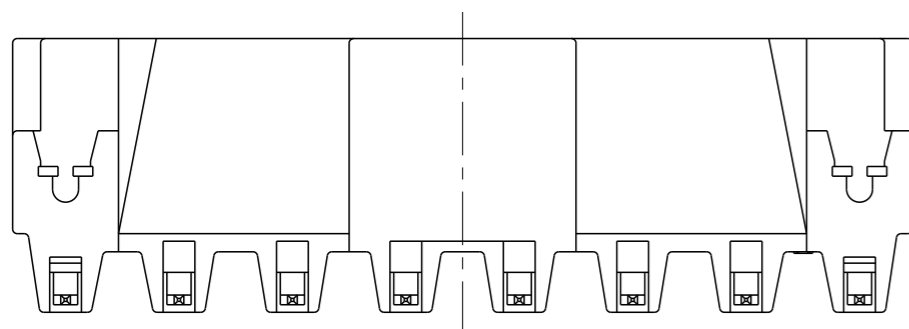
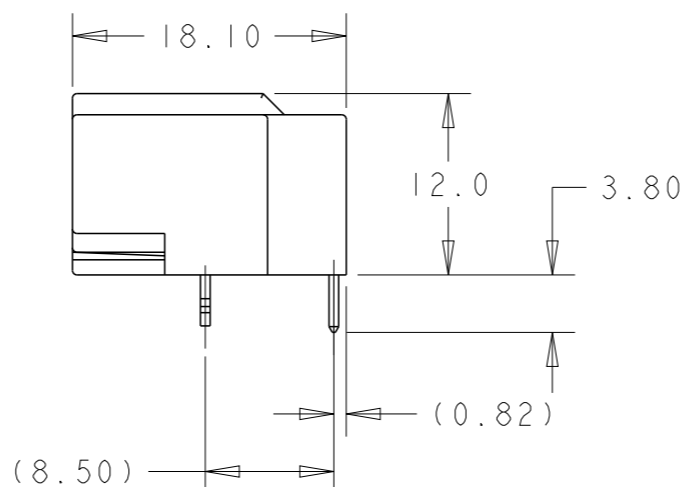
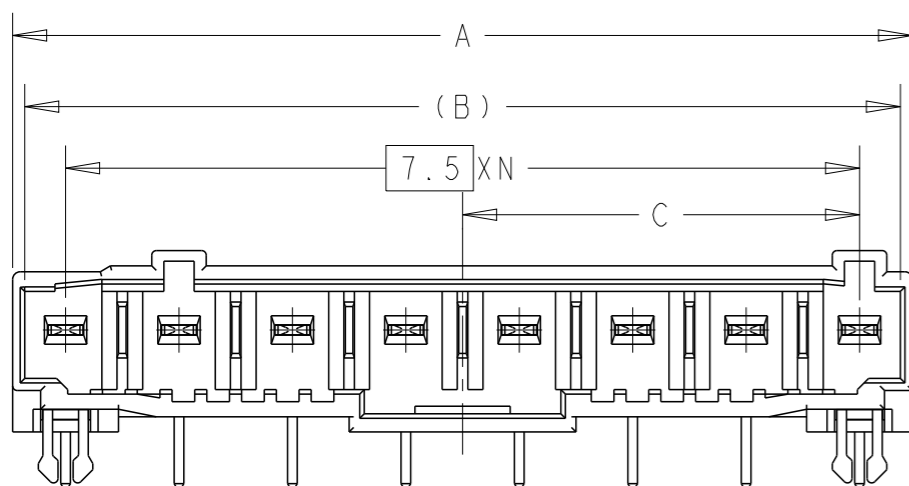
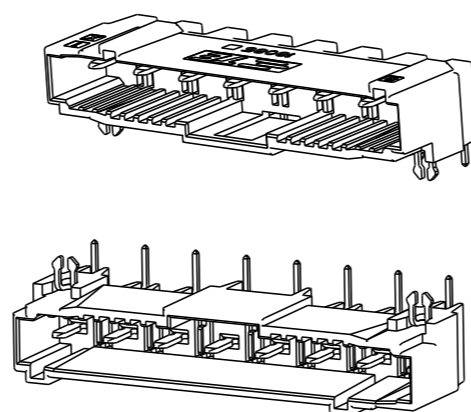
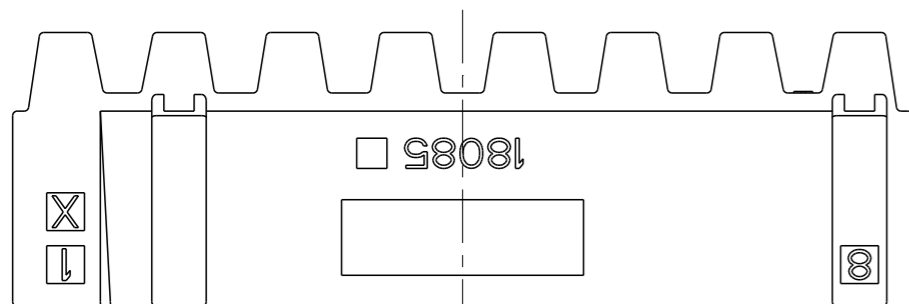
20

© COPYRIGHT 20 BY -

ALL RIGHTS RESERVED.

REVISIONS

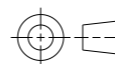
P	LTR	DESCRIPTION	DATE	DWN	APVD
-	-	SEE SHEET 1	-	-	-



1-2271457-8
(8POS KEY:X)

THIS DRAWING IS A CONTROLLED DOCUMENT.

DIMENSIONS:
mm



TOLERANCES UNLESS OTHERWISE SPECIFIED:

- 0 PLC ±-
- 1 PLC ±0.50
- 2 PLC ±0.30
- 3 PLC ±-
- 4 PLC ±-
- ANGLES ±3°
- FINISH -

MATERIAL
SEE NOTE

DWN 13JAN2015

Ning Wang

CHK 13JAN2015

Kobby Zhao

APVD 13JAN2015

Xiang Xu

PRODUCT SPEC
108-78997

APPLICATION SPEC
411-78272

WEIGHT -

CUSTOMER DRAWING



TE Connectivity

NAME
DYNAMIC 3950
HEADER ASSEMBLY

SIZE CAGE CODE DRAWING NO RESTRICTED TO

A3 - C-2271457

SCALE 2:1 SHEET 3 OF 3 REV E