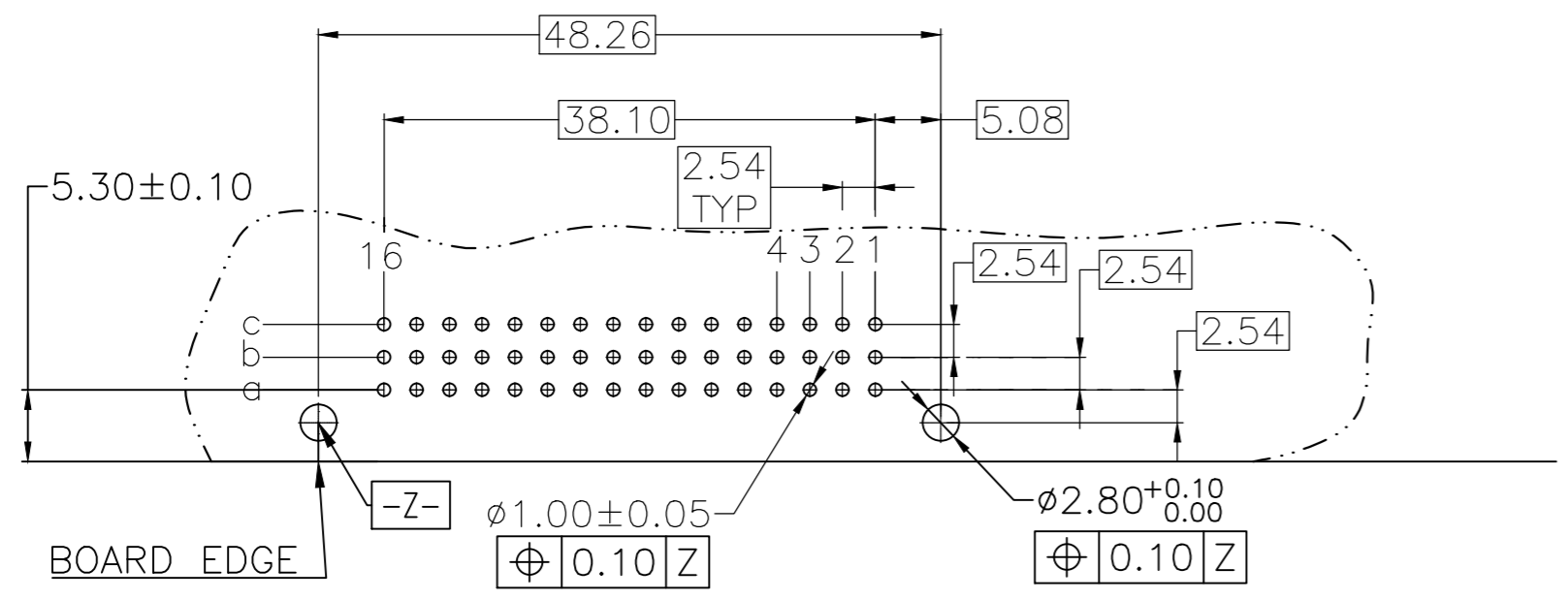
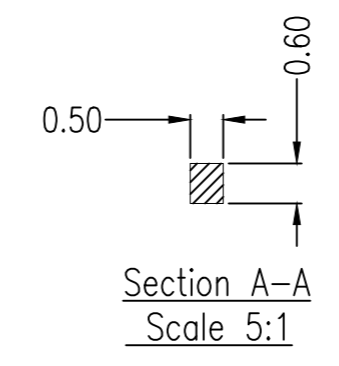
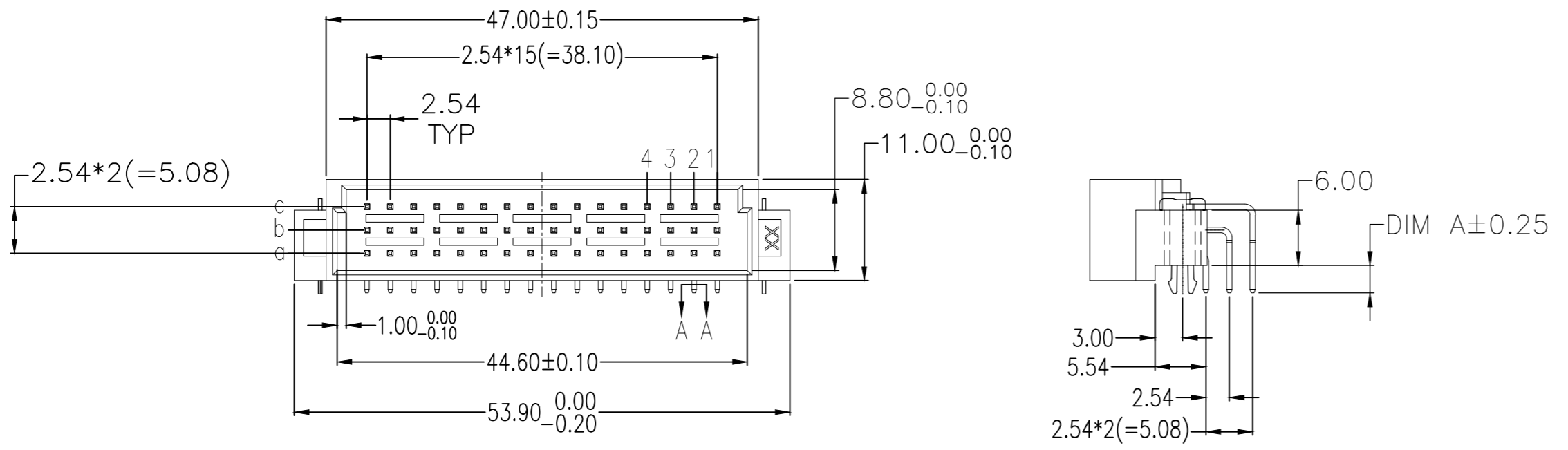
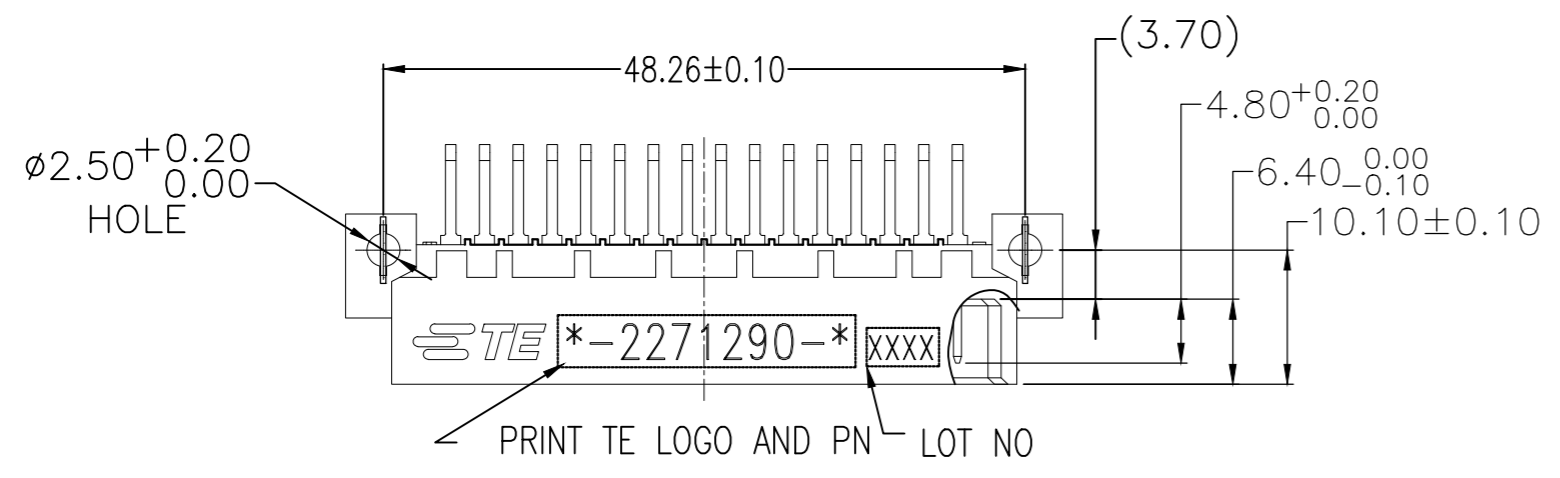


THIS DRAWING IS UNPUBLISHED. RELEASED FOR PUBLICATION  
 © COPYRIGHT - By - ALL RIGHTS RESERVED.

LOC		DIST		REVISIONS			
P	LTR	DESCRIPTION		DATE	DWN	APVD	
A		INITIAL RELEASED		2016-2-3	AY	RB	

NOTES:

- PRODUCT SPECIFICATION:  
 CURRENT RATING: 2.0AMP  
 CONTACT RESISTANCE: 20mΩ MAX  
 WITHSTAND VOLTAGE: 1000V AC/DC  
 INSULATION RESISTANCE: 10E6MΩ MIN  
 OPERATING TEMPERATURE: -55°C to +105°C  
 RECOMMEND SOLDERING PROCESS: WAVE SOLDERING  
 PEAK TEMPERATURE: 250°C
- MATERIAL  
 CONTACT: COPPER ALLOY  
 HOUSING: LOW-TEMPERATURE MATERIAL UL94V-0
- 1.27um MIN NICKEL PER TEC-112-25 UNDERPLATE ALL OVER
- 2.54um MIN TIN PER TEC-112-65 ON SOLDERING AREA
- 0.76um MIN GOLD PER TEC-112-162 ON CONTACT AREA
- 0.25um MIN GOLD PER TEC-112-162 ON CONTACT AREA
- 0.076um MIN GOLD FLASH PER TEC-112-33 ON CONTACT AREA
- PARTS MUST CONFORM TO DIN41612/IEC60603-2
- PART NO X-2271290-1,-2 IS NOT RELEASED



RECOMMENDED PCB LAYOUT

DIM.A	FINISH	ROWS LOADED	POS	PN
4.57	3 4 5	abc	48	8-2271290-2
4.57	3 4 6	abc	48	8-2271290-1
4.57	3 4 7	abc	48	8-2271290-0
4.57	3 4 5	a c	32	7-2271290-2
4.57	3 4 6	a c	32	7-2271290-1
4.57	3 4 7	a c	32	7-2271290-0
4.0	3 4 5	abc	48	6-2271290-2
4.0	3 4 6	abc	48	6-2271290-1
4.0	3 4 7	abc	48	6-2271290-0
4.0	3 4 5	a c	32	5-2271290-2
4.0	3 4 6	a c	32	5-2271290-1
4.0	3 4 7	a c	32	5-2271290-0
3.0	3 4 5	abc	48	4-2271290-2
3.0	3 4 6	abc	48	4-2271290-1
3.0	3 4 7	abc	48	4-2271290-0
3.0	3 4 5	a c	32	3-2271290-2
3.0	3 4 6	a c	32	3-2271290-1
3.0	3 4 7	a c	32	3-2271290-0
2.5	3 4 5	abc	48	2-2271290-2
2.5	3 4 6	abc	48	2-2271290-1
2.5	3 4 7	abc	48	2-2271290-0
2.5	3 4 5	a c	32	1-2271290-2
2.5	3 4 6	a c	32	1-2271290-1
2.5	3 4 7	a c	32	1-2271290-0

THIS DRAWING IS A CONTROLLED DOCUMENT. DWN: ANDY YANG 27JAN2016  
 CHK: RICK BIAN  
 APVD: XIANG XU  
 PRODUCT SPEC: 108-137009  
 APPLICATION SPEC: -

**STE** TE Connectivity  
 DIN CONNECTOR, TYPE 2C, 48 PIN  
 HEADER, RIGHT ANGLE  
 WITH CLIPS

SIZE: A2 CAGE CODE: 00779 DRAWING NO: C-2271290 RESTRICTED TO: -  
 WEIGHT: - SCALE: 1:1 SHEET: 1 OF 1 REV: A  
 CUSTOMER DRAWING