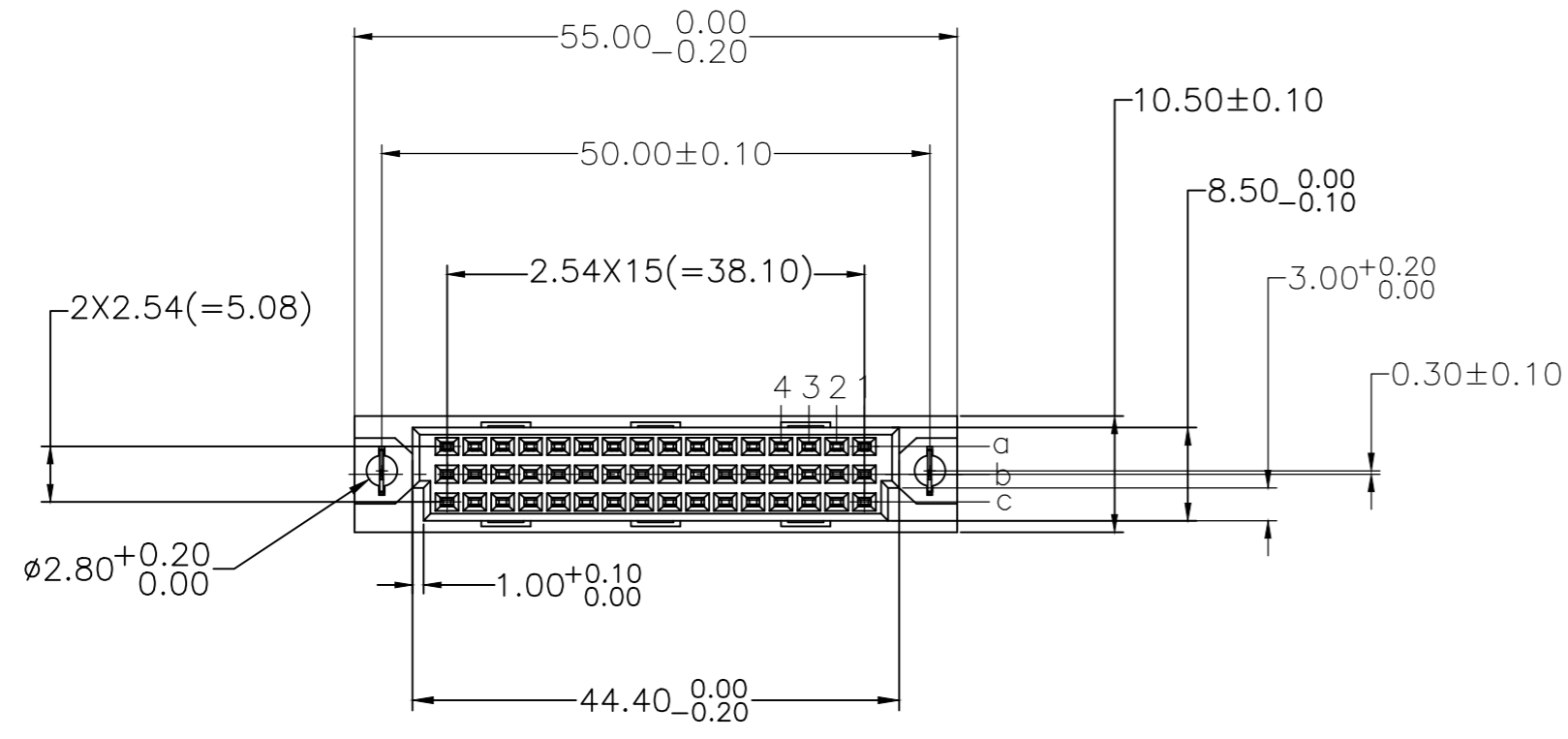
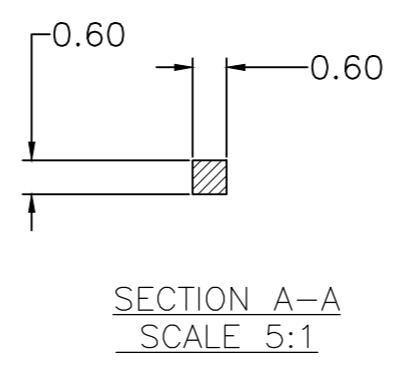
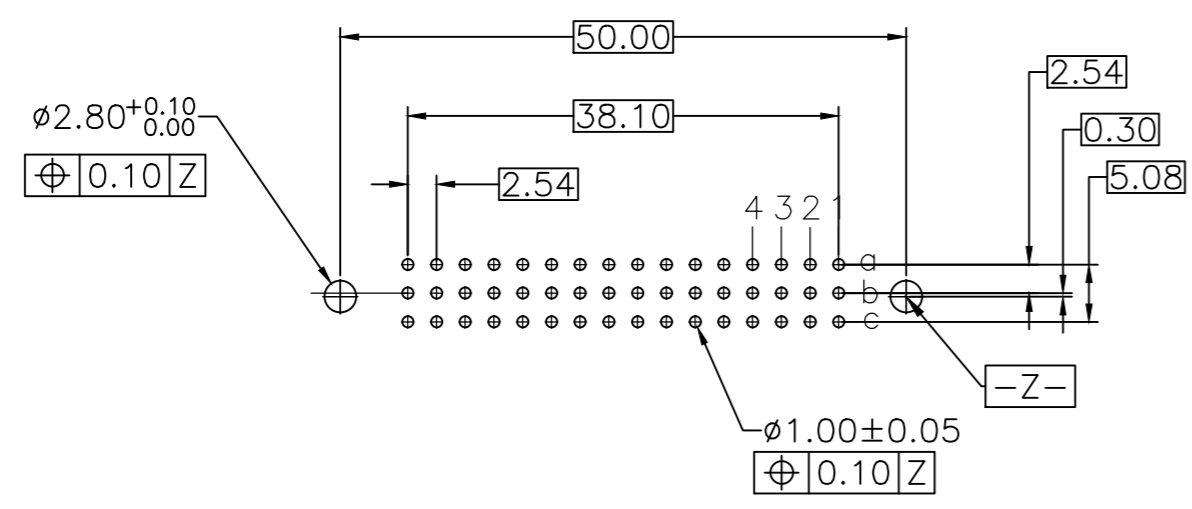
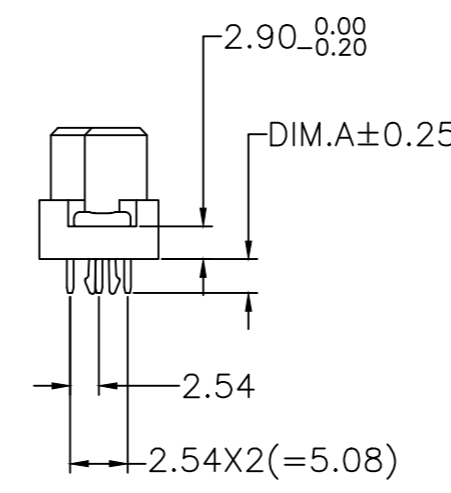
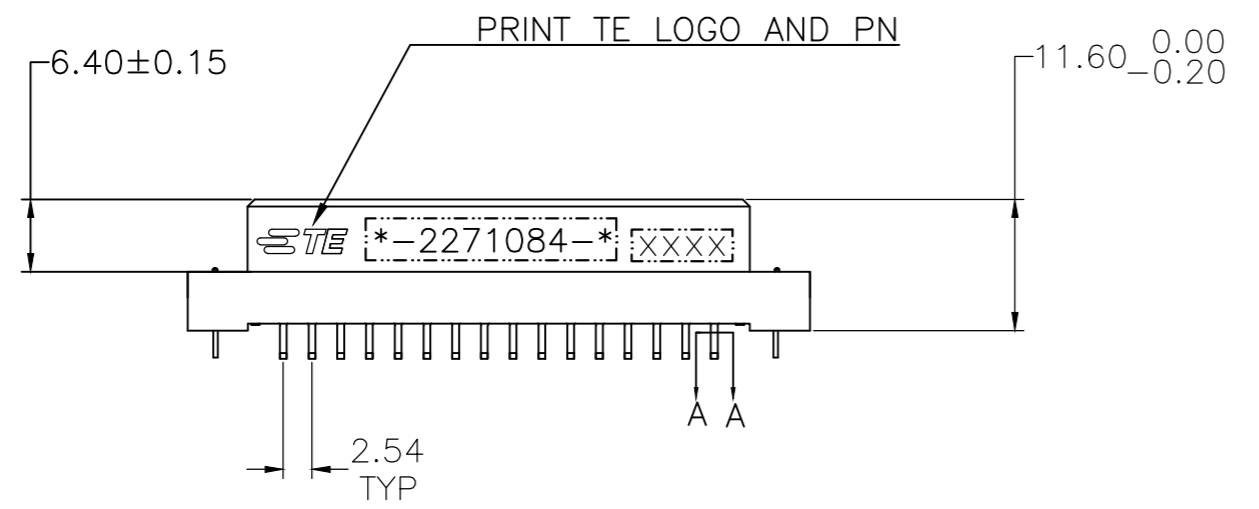


THIS DRAWING IS UNPUBLISHED. RELEASED FOR PUBLICATION
 © COPYRIGHT - By - ALL RIGHTS RESERVED.

LOC	DIST	REVISIONS			
P	LTR	DESCRIPTION	DATE	DWN	APVD
-	-	INITIAL RELEASED	2016.2.25	A.Y	S.Z



- NOTES:
- PRODUCT SPECIFICATION:
 CURRENT RATING: 2.0AMP
 CONTACT RESISTANCE: 20mΩ MAX
 WITHSTAND VOLTAGE: 1000V AC/DC
 INSULATION RESISTANCE: 10E6MΩ MIN
 OPERATING TEMPERATURE: -55°C to +105°C
 RECOMMEND SOLDERING PROCESS: WAVE SOLDERING
 PEAK TEMPERATURE: 250°C
 - MATERIAL
 CONTACT: COPPER ALLOY
 HOUSING: LOW-TEMPERATURE MATERIAL UL94V-0
 - 1.27um MIN NICKEL PER TEC-112-25 UNDERPLATE ALL OVER
 - 2.54um MIN TIN PER TEC-112-65 ON SOLDERING AREA
 - 0.76um MIN GOLD PER TEC-112-162 ON CONTACT AREA
 - 0.25um MIN GOLD PER TEC-112-162 ON CONTACT AREA
 - 0.076um MIN GOLD FLASH PER TEC-112-33 ON CONTACT AREA
 - PARTS MUST CONFORM TO DIN 41612/IEC60603-2
 - PART NO X-2271084-1,-2 IS NOT RELEASED.



4.57	△△△	abc	48	8-2271084-2
4.57	△△△	abc	48	8-2271084-1
4.57	△△△	abc	48	8-2271084-0
4.57	△△△	a c	32	7-2271084-2
4.57	△△△	a c	32	7-2271084-1
4.57	△△△	a c	32	7-2271084-0
4.0	△△△	abc	48	6-2271084-2
4.0	△△△	abc	48	6-2271084-1
4.0	△△△	abc	48	6-2271084-0
4.0	△△△	a c	32	5-2271084-2
4.0	△△△	a c	32	5-2271084-1
4.0	△△△	a c	32	5-2271084-0
3.0	△△△	abc	48	4-2271084-2
3.0	△△△	abc	48	4-2271084-1
3.0	△△△	abc	48	4-2271084-0
3.0	△△△	a c	32	3-2271084-2
3.0	△△△	a c	32	3-2271084-1
3.0	△△△	a c	32	3-2271084-0
2.5	△△△	abc	48	2-2271084-2
2.5	△△△	abc	48	2-2271084-1
2.5	△△△	abc	48	2-2271084-0
2.5	△△△	a c	32	1-2271084-2
2.5	△△△	a c	32	1-2271084-1
2.5	△△△	a c	32	1-2271084-0
DIM.A	FINISH	ROWS LOADED	POS	PN

RECOMMENDED P.C.B LAYOUT
(COMPONENT SIDE)

THIS DRAWING IS A CONTROLLED DOCUMENT. DWN BO GAO 26SEP2014
 CHK KOBBY ZHAO
 APVD XIANG XU
 PRODUCT SPEC 108-137009
 APPLICATION SPEC

STE TE Connectivity
 DIN CONNECTOR, TYPE 2C
 RECEPTACLE, VERTICAL, WITH CLIPS

DIMENSIONS: mm
 TOLERANCES UNLESS OTHERWISE SPECIFIED:
 0 PLC ± -
 1 PLC ± -
 2 PLC ± 0.25
 3 PLC ± -
 4 PLC ± -
 ANGLES ± 3

MATERIAL SEE NOTE
 FINISH -

SIZE A2 CAGE CODE 00779 DRAWING NO C-2271084 RESTRICTED TO -
 WEIGHT -
 CUSTOMER DRAWING SCALE 1:1 SHEET 1 of 1 REV A