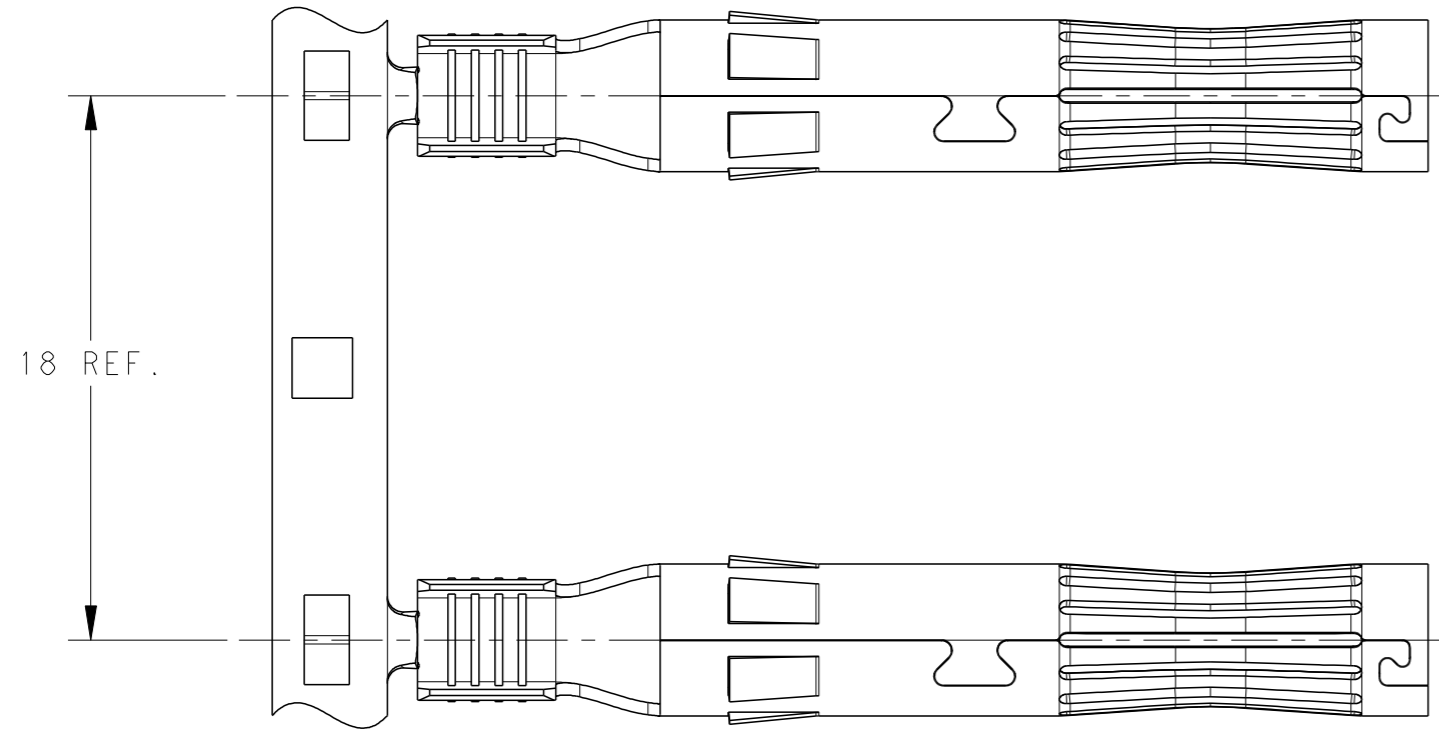
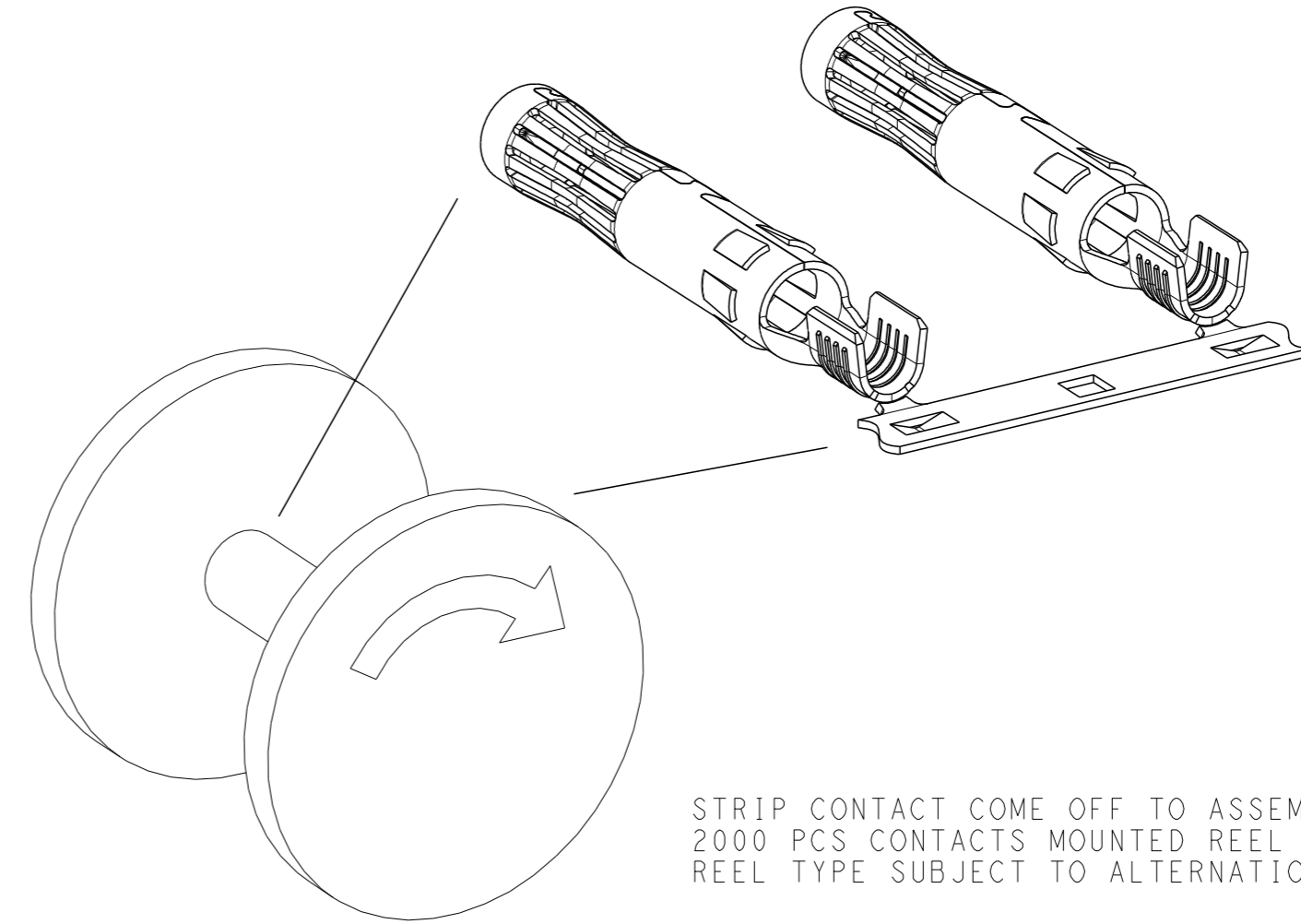


THIS DRAWING IS UNPUBLISHED. RELEASED FOR PUBLICATION 20
 © COPYRIGHT 20 BY - ALL RIGHTS RESERVED.

REVISIONS				
P	LTR	DESCRIPTION	DATE	APVD
A		INITIAL RELEASE	16AUG2017	SG MS



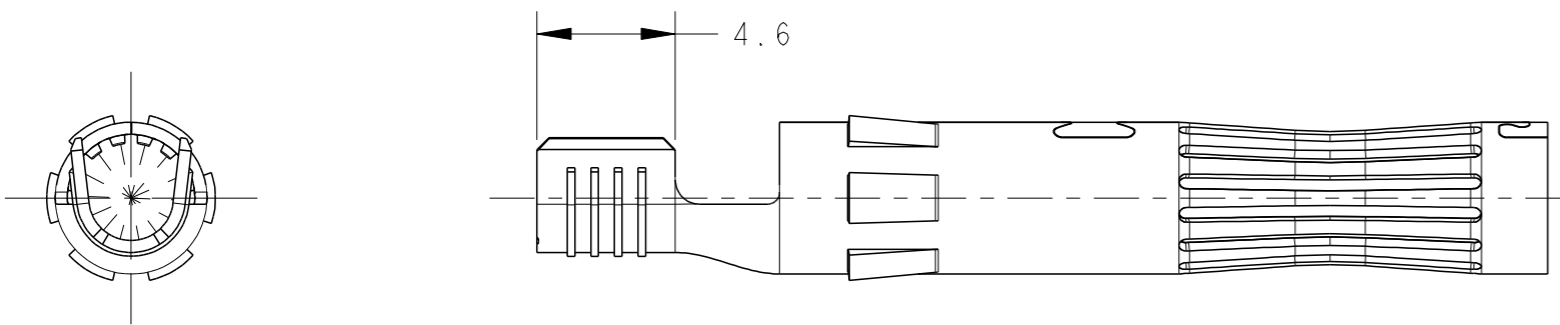
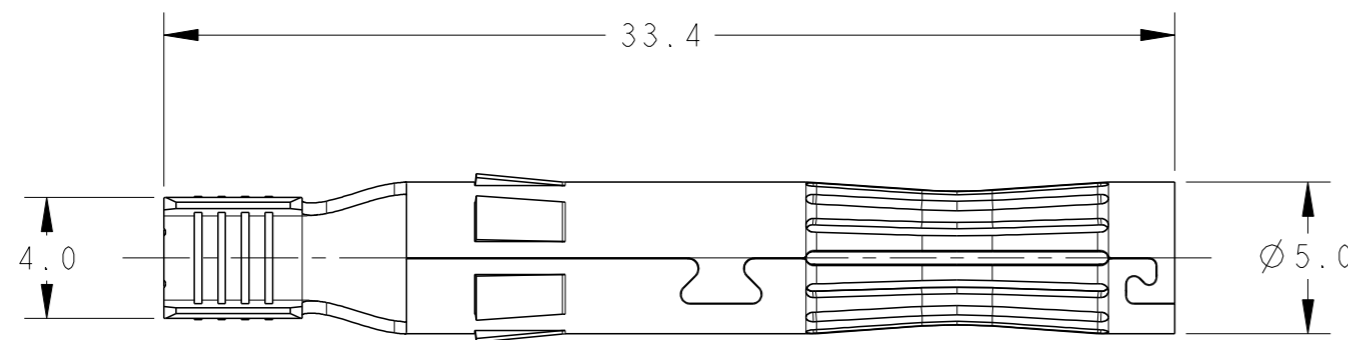
STRIP
-2 AS SHOWN



STRIP CONTACT COME OFF TO ASSEMBLY
 2000 PCS CONTACTS MOUNTED REEL
 REEL TYPE SUBJECT TO ALTERNATION

1. MATERIAL: COPPER ALLOY, TIN PLATED
2. USED FOR SOLAR CABLE: 2.5mm²/14AWG.
3. PLS DON'T TOUCH THE CONTACT DIRECTLY BY HAND WITHOUT ANY PROTECTION.

4. USE ONLY CRIMPING TOOL OF TE CONNECTIVITY TO CRIMP CONTACT. CRIMPING TOOL PN 6-1579014-9 WILL BE USED FOR CRIMPING THE CONTACTS HAVING WIRE SIZE 2.5mm².



LOOSE PIECE
-3 AS SHOWN

THIS DRAWING IS A CONTROLLED DOCUMENT.

DIMENSIONS: mm	TOLERANCES UNLESS OTHERWISE SPECIFIED:
0 PLC	±0.5
1 PLC	±0.3
2 PLC	±
3 PLC	±
4 PLC	±
ANGLES	±
FINISH	TIN

DWN SHIRLEY GAO 15AUG2017	2270252-4	100	
CHK ALEX ZHANG 15AUG2017	2270252-3	1000	
APVD MING SHI 15AUG2017	2270252-2	2000	
PRODUCT SPEC 108-137077	PART NUMBER PACKING UNIT		
APPLICATION SPEC 114-137077	FOR ORDER		
WEIGHT -	SIZE A200779	CAGE CODE C-2270252	DRAWING NO -
CUSTOMER DRAWING	SCALE 4:1	SHEET 1 OF 1	RESTRICTED TO REV A