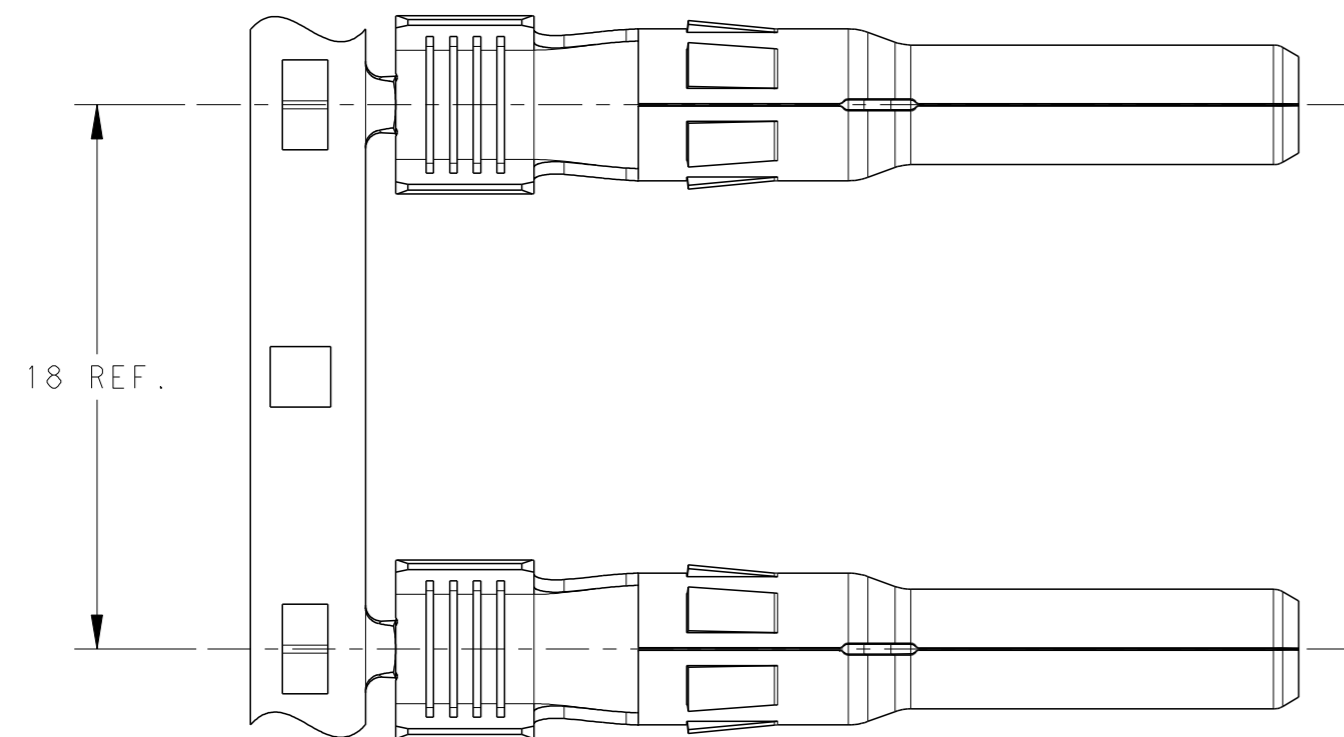
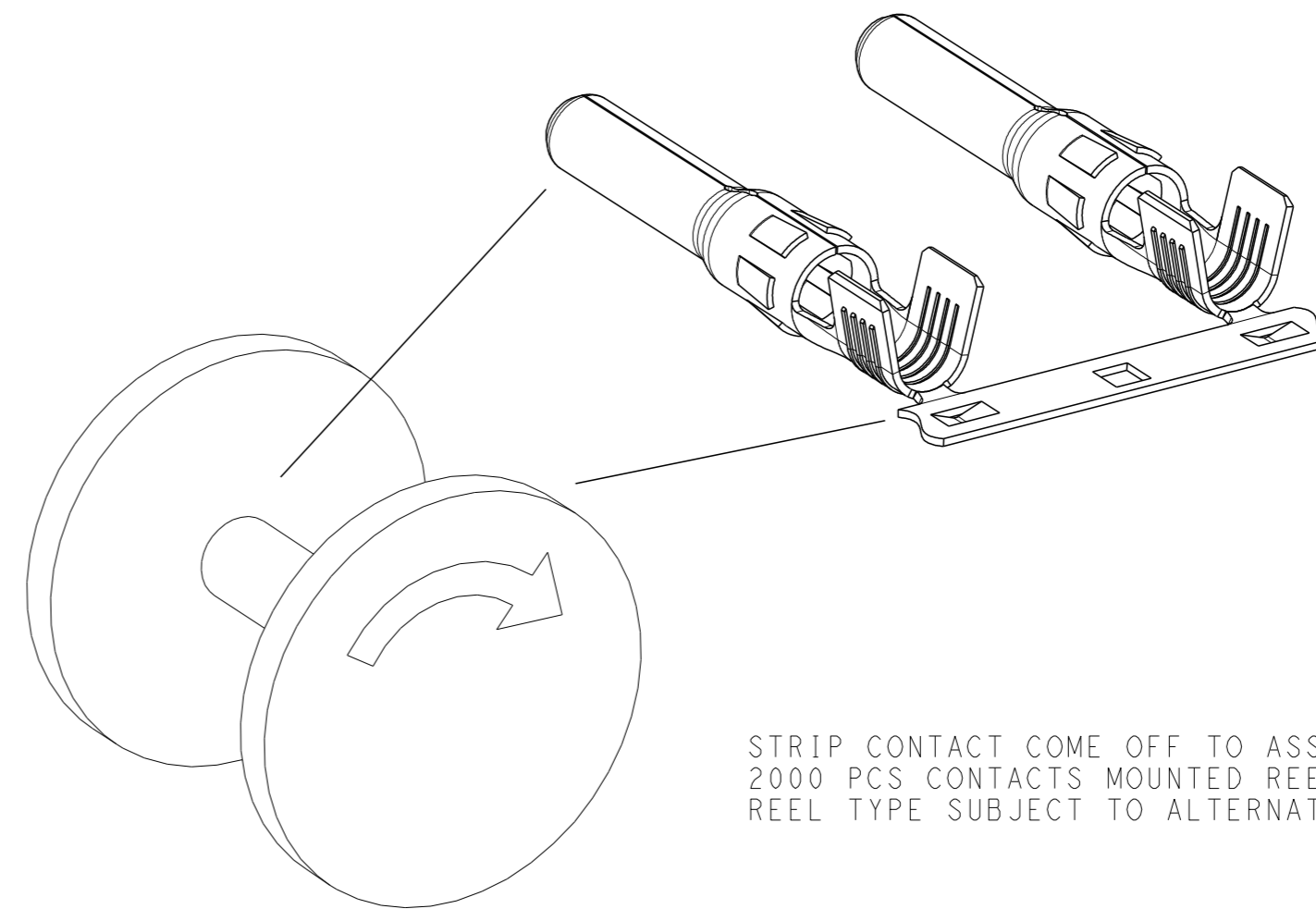


THIS DRAWING IS UNPUBLISHED. RELEASED FOR PUBLICATION 20
 © COPYRIGHT 20 BY - ALL RIGHTS RESERVED.

REVISIONS				
P	LTR	DESCRIPTION	DATE	APVD
A		INITIAL RELEASE	15AUG2017	SG MS



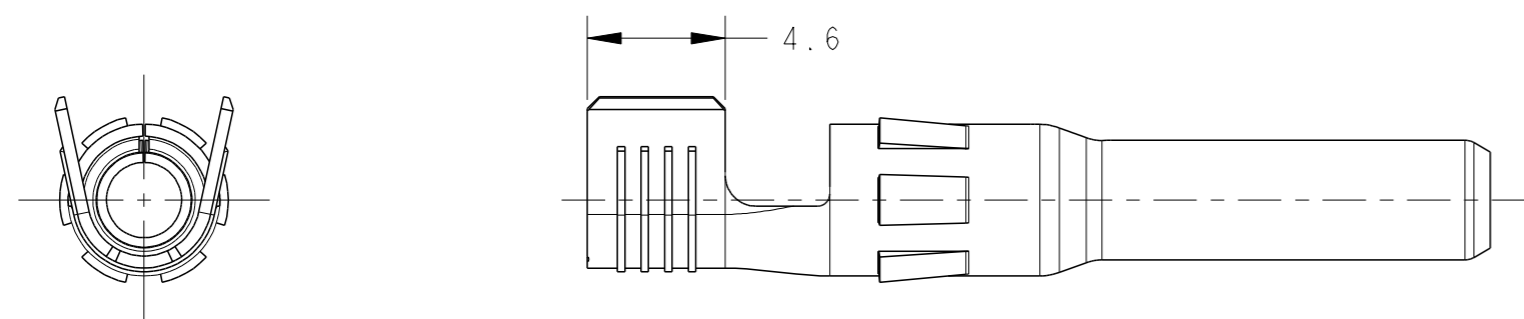
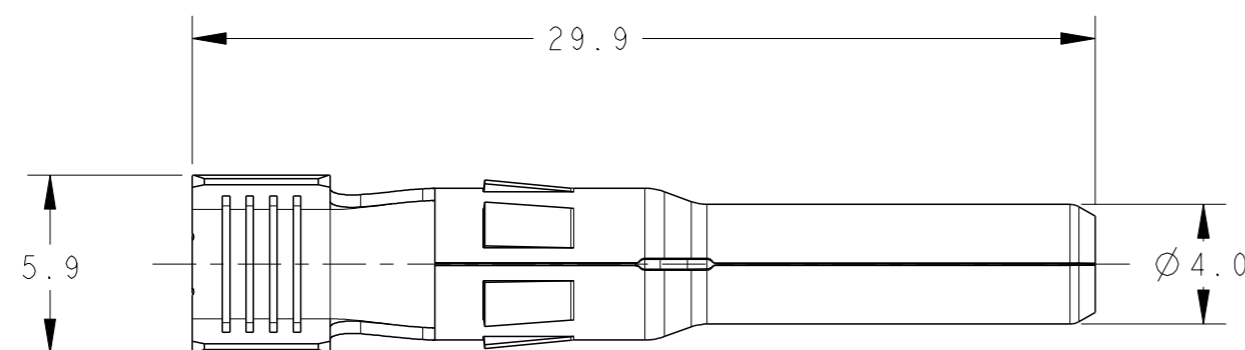
STRIP
-2 AS SHOWN



STRIP CONTACT COME OFF TO ASSEMBLY
2000 PCS CONTACTS MOUNTED REEL
REEL TYPE SUBJECT TO ALTERNATION

1. MATERIAL: COPPER ALLOY, TIN PLATED
2. USED FOR SOLAR CABLE: 4mm²/12AWG, 6mm²/10AWG.
3. PLS DON'T TOUCH THE CONTACT DIRECTLY BY HAND WITHOUT ANY PROTECTION.

4. USE ONLY CRIMPING TOOL OF TE CONNECTIVITY TO CRIMP CONTACT. CRIMPING TOOL PN 6-1579014-8 WILL BE USED FOR CRIMPING THE CONTACTS HAVING WIRE SIZE 4.0mm²+6.0mm².



LOOSE PIECE
-3 AS SHOWN

LOOSE PIECE	2270251-4	100
	2270251-3	1000
STRIP	2270251-2	2000
CONTACT TYPE	PART NUMBER	PACKING UNIT
	FOR ORDER	

THIS DRAWING IS A CONTROLLED DOCUMENT.		DWN 15AUG2017 SHIRLEY GAO		
		CHK 15AUG2017 ALEX ZHANG		
		APVD 15AUG2017 MING SHI	NAME PIN CONTACT SOLARLOK PV4-S CONNECTOR	
DIMENSIONS: mm		PRODUCT SPEC 108-137077	SIZE	RESTRICTED TO
TOLERANCES UNLESS OTHERWISE SPECIFIED: 0 PLC ±0.5 1 PLC ±0.3 2 PLC ± 3 PLC ± 4 PLC ± ANGLES ± FINISH		APPLICATION SPEC 114-137077	CAGE CODE A200779	DRAWING NO C=2270251
MATERIAL COPPER ALLOY		WEIGHT -	SCALE 4:1	SHEET 1 OF 1
		CUSTOMER DRAWING	REV A	