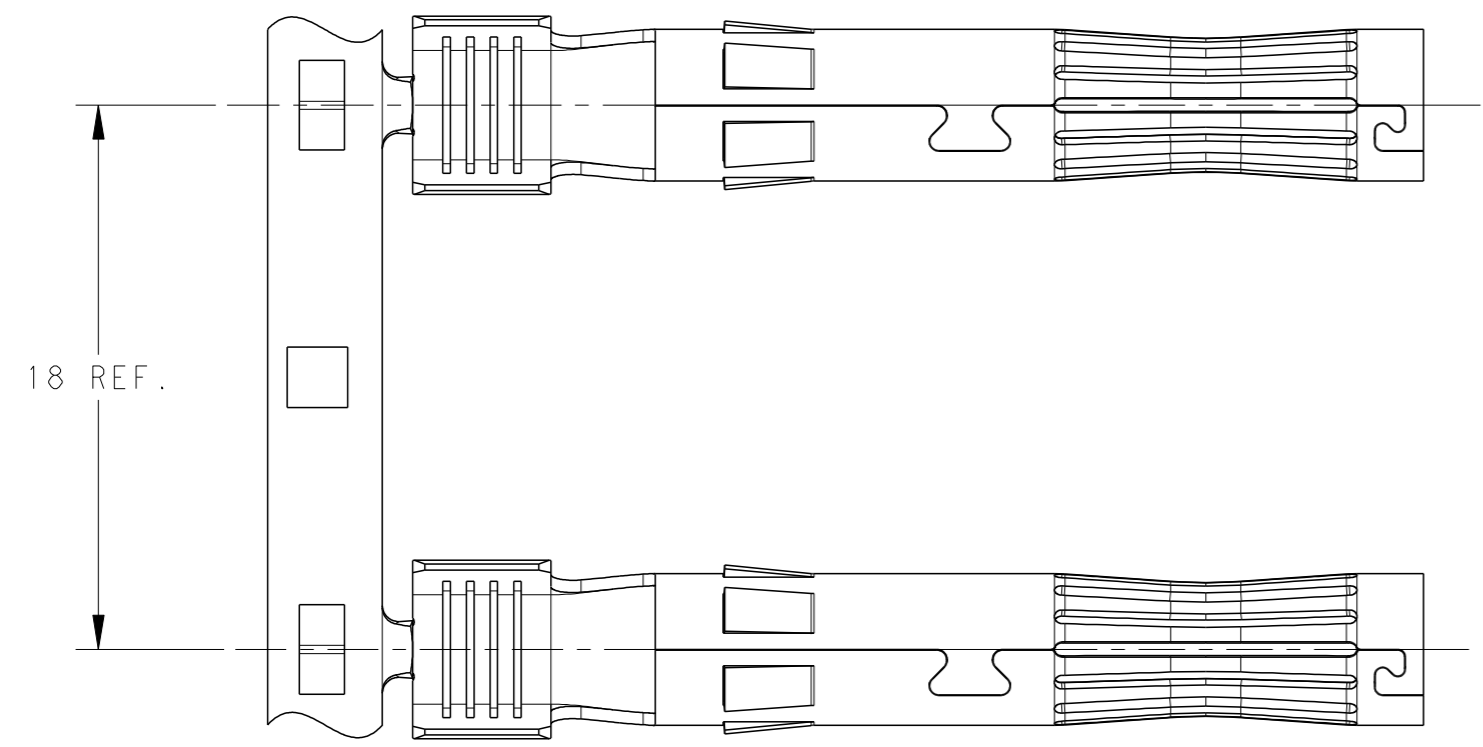


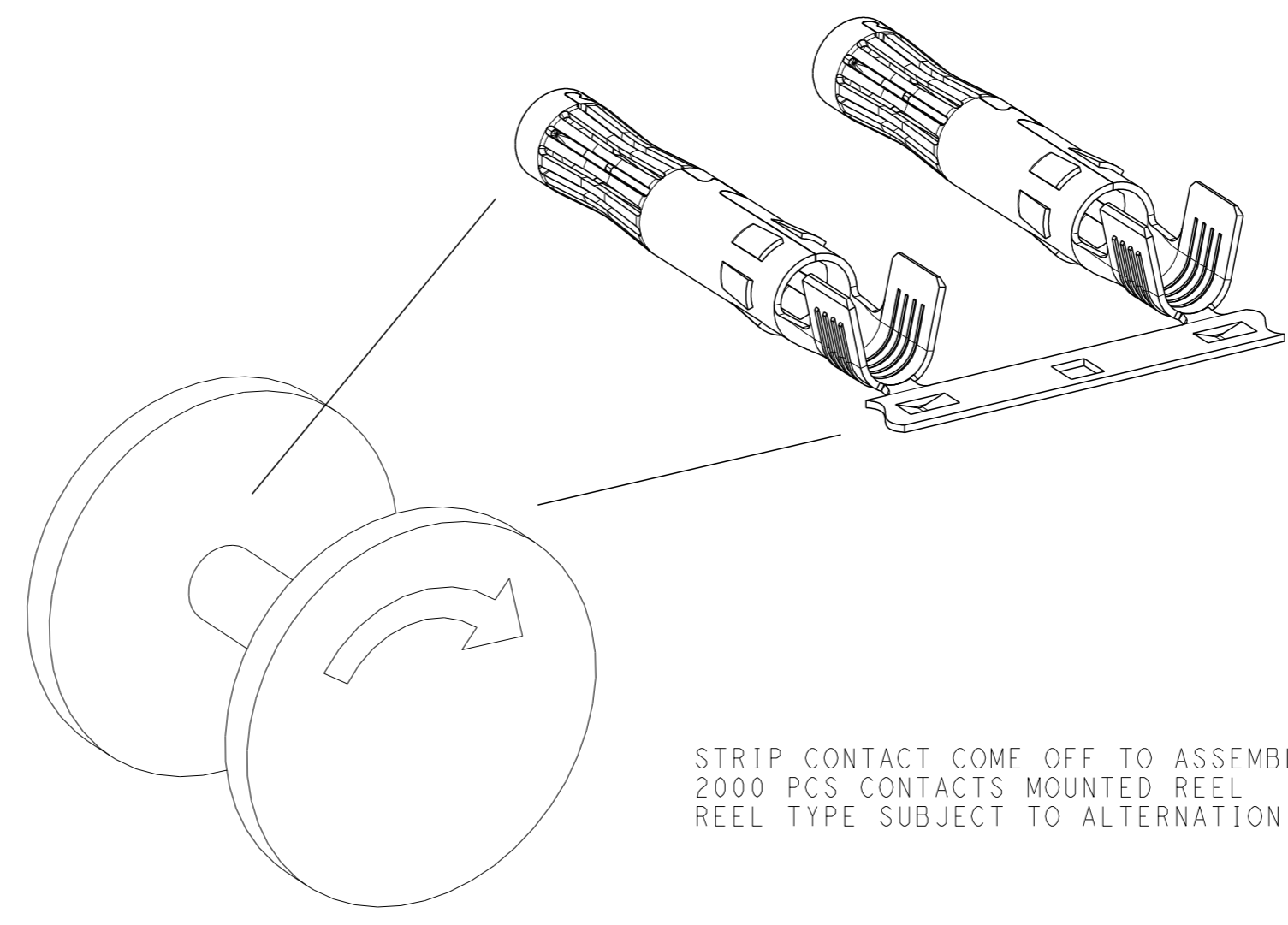
THIS DRAWING IS UNPUBLISHED. RELEASED FOR PUBLICATION 20  
 © COPYRIGHT 20 BY - ALL RIGHTS RESERVED.

REVISIONS				
P	LTR	DESCRIPTION	DATE	APVD
A		INITIAL RELEASE	15AUG2017	SG MS



18 REF.

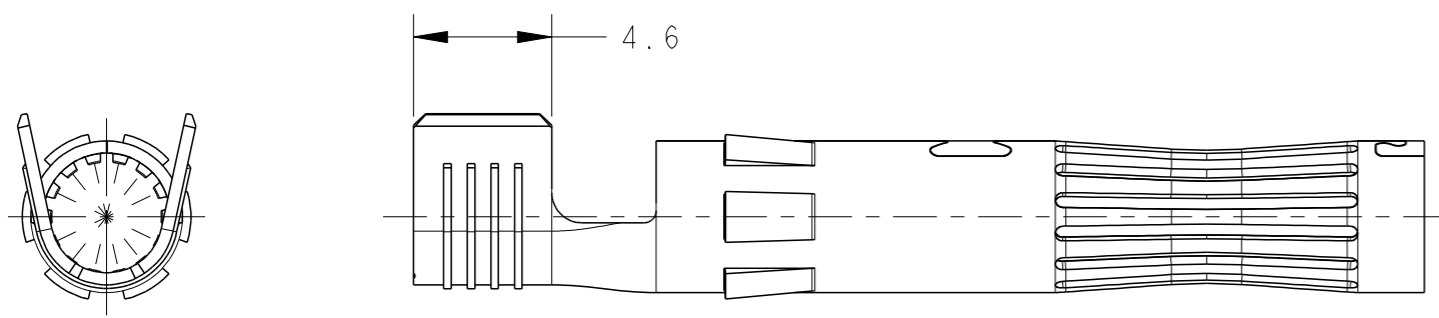
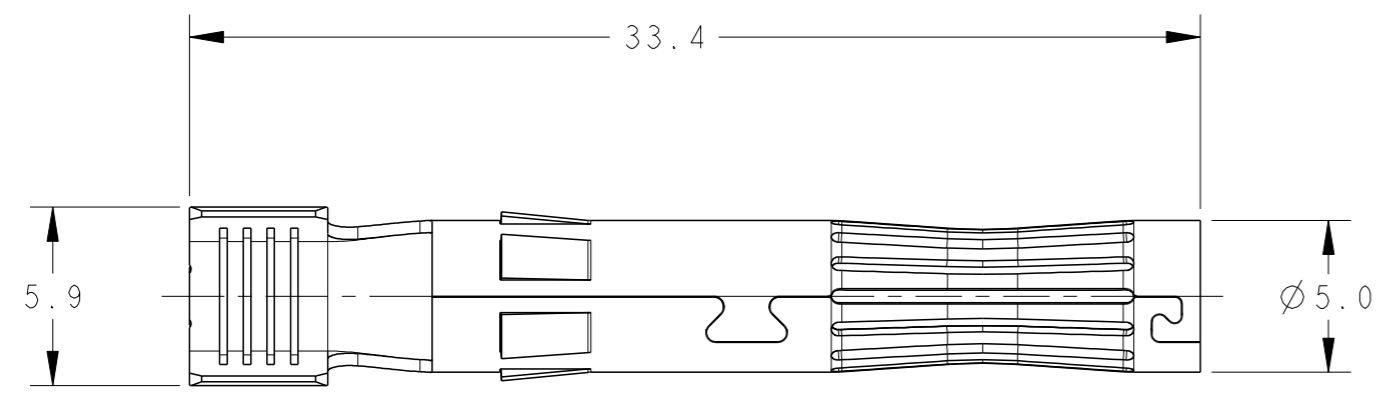
STRIP  
-2 AS SHOWN



STRIP CONTACT COME OFF TO ASSEMBLY  
 2000 PCS CONTACTS MOUNTED REEL  
 REEL TYPE SUBJECT TO ALTERNATION

- 1.MATERIAL:COPPER ALLOY,TIN PLATED
- 2.USED FOR SOLAR CABLE:4mm2/12AWG,6mm2/10AWG
- 3.PLS DON'T TOUCH THE CONTACT DIRECTLY BY HAND WITHOUT ANY PROTECTION..

⚠ USE ONLY CRIMPING TOOL OF TE CONNECTIVITY TO CRIMP CONTACT.  
 CRIMPING TOOL PN 6-1579014-8 WILL BE USED FOR CRIMPING THE CONTACTS HAVING WIRE SIZE 4.0mm<sup>2</sup>+6.0mm<sup>2</sup>.



LOOSE PIECE  
-3 AS SHOWN

LOOSE PIECE	2270226-4	100
	2270226-3	1000
STRIP	2270226-2	2000
CONTACT TYPE	PART NUMBER	PACKING UNIT
	FOR ORDER	

THIS DRAWING IS A CONTROLLED DOCUMENT.		DWN 15AUG2017 SHIRLEY GAO	<b>STE</b> TE Connectivity	
DIMENSIONS: mm		CHK 15AUG2017 ALEX ZHANG		
TOLERANCES UNLESS OTHERWISE SPECIFIED:		APVD 15AUG2017 MING SHI	NAME SOCKET CONTACT SOLARLOK PV4-S CONNECTOR	
0 PLC ±0.5		PRODUCT SPEC 108-137077	SIZE CAGE CODE DRAWING NO RESTRICTED TO	
1 PLC ±0.3		APPLICATION SPEC 114-137077	A200779 C-2270226	
2 PLC ±		WEIGHT -	SCALE 4:1 SHEET 1 OF 1 REV A	
3 PLC ±		CUSTOMER DRAWING		
4 PLC ±				
ANGLES ±				
FINISH				
MATERIAL COPPER ALLOY				
FINISH TIN				