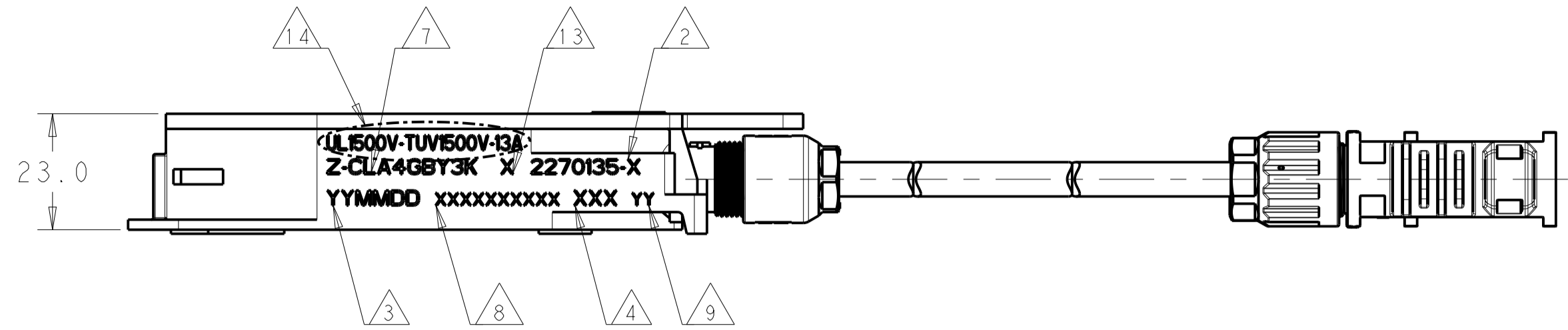
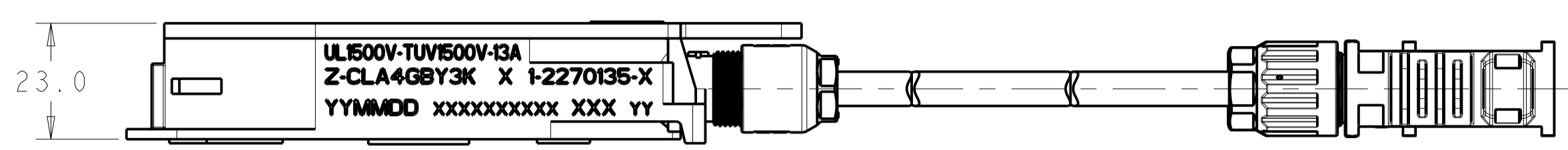


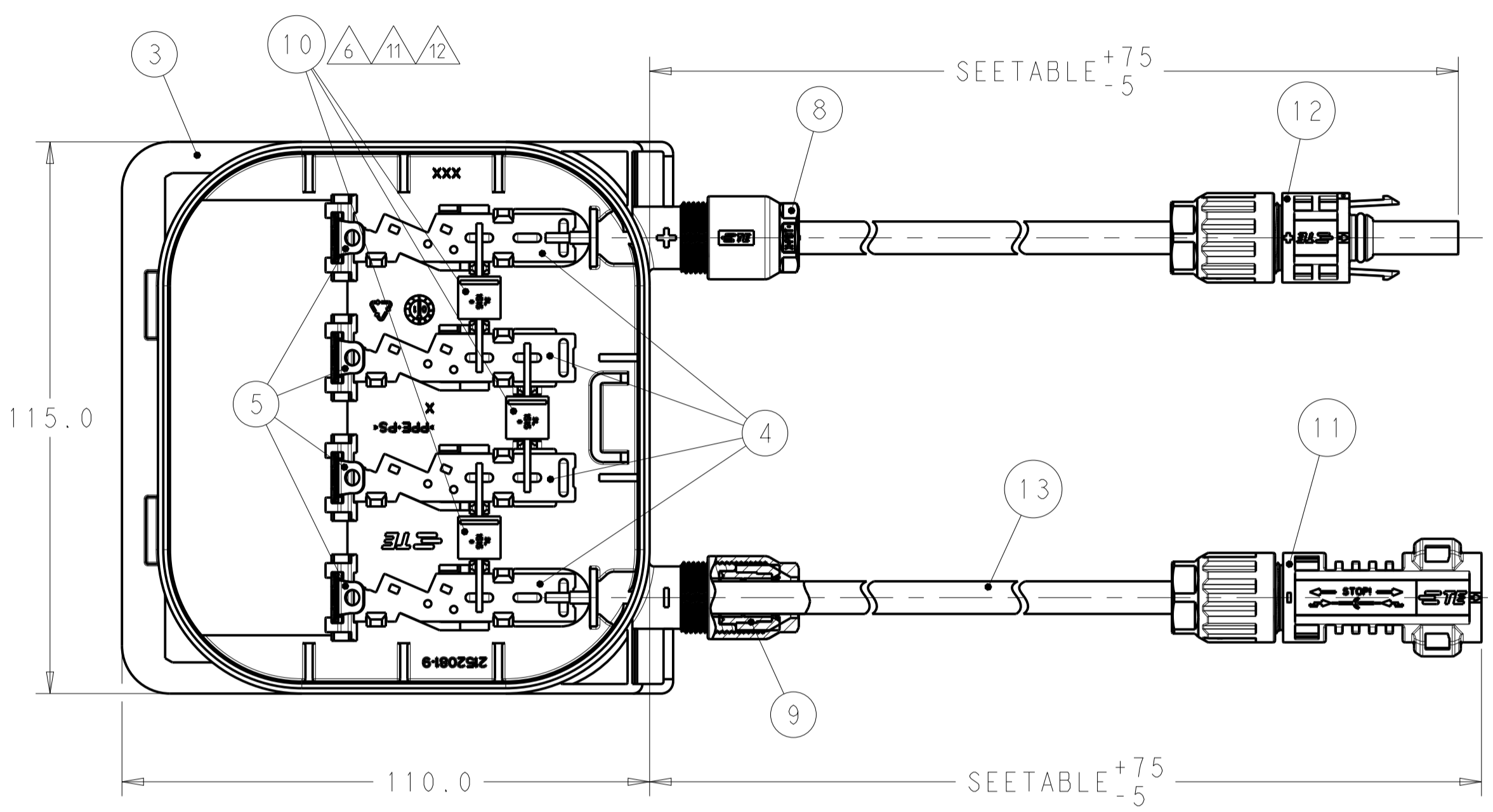
REVISIONS				
P.	LTM	DESCRIPTION	DATE	APPROV
C		ECR-18-018689	28NOV2018	SR MZ
D		ECR-19-008128	30MAY2019	SR MZ
D1		REVISED CABLE AND CONN DESCRIPTION	14NOV2019	MZ PO
D2		ECR-20-010898	15SEP2020	MHS MZ



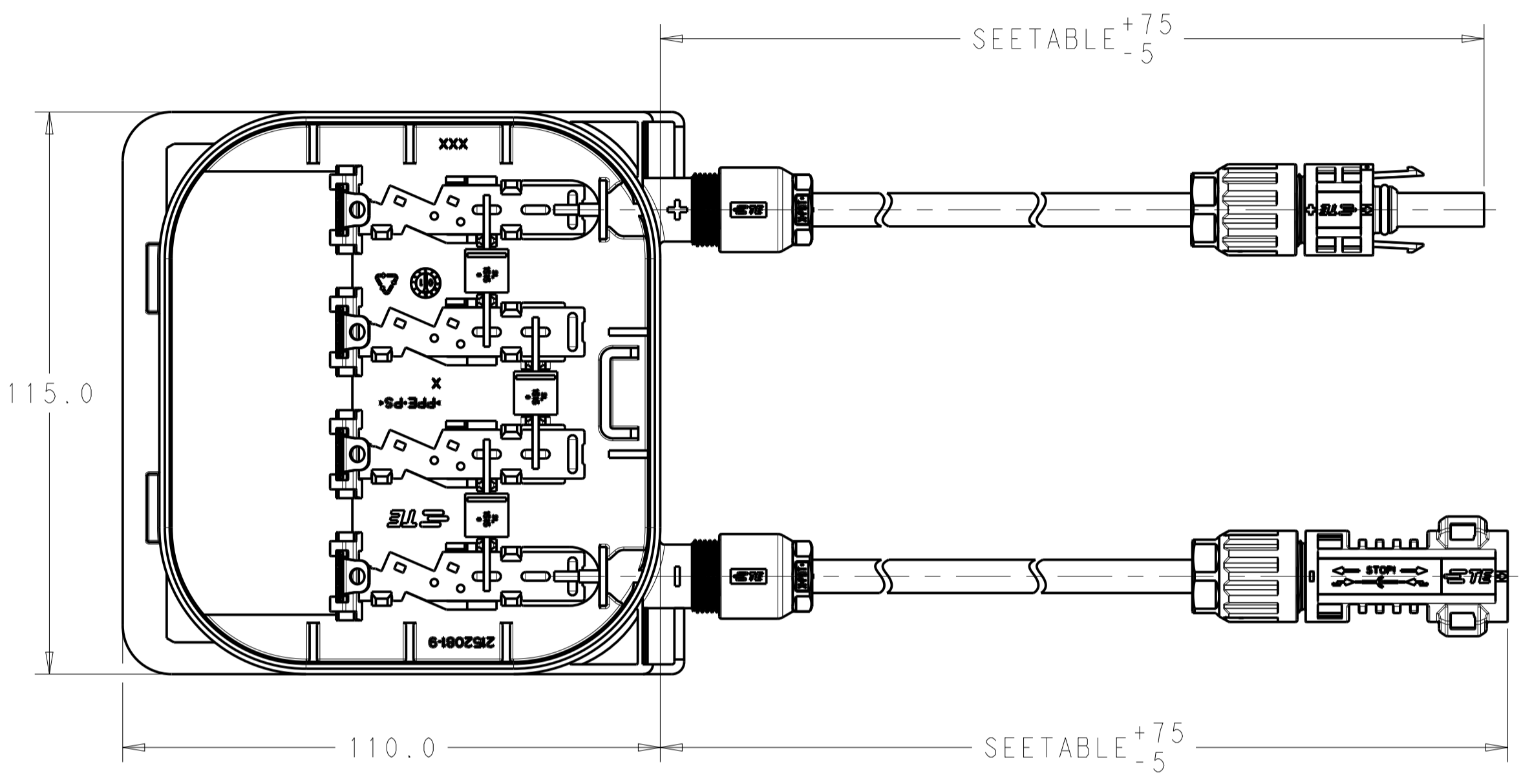
LID ASSEMBLY SHOWN CLOSED FOR REFERENCES ONLY



LID ASSEMBLY SHOWN CLOSED FOR REFERENCES ONLY



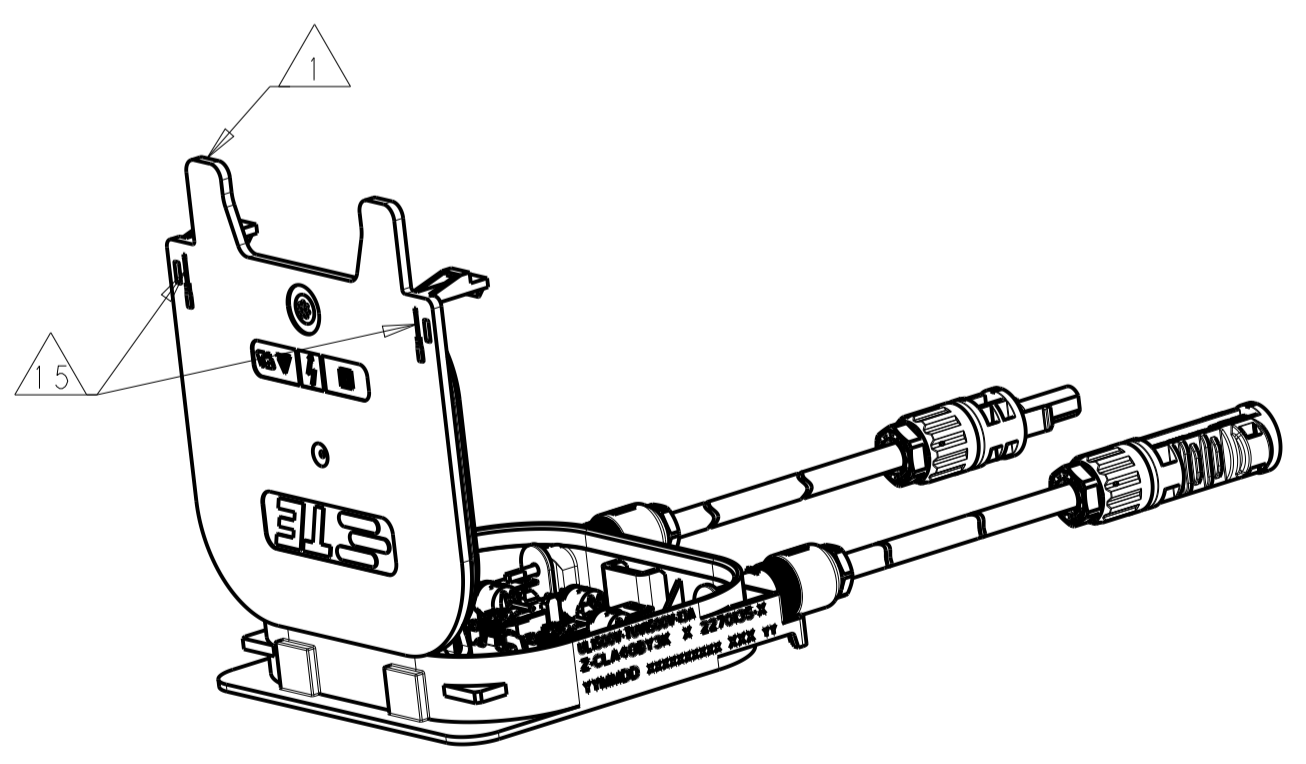
ASSEMBLY SHOWN WITHOUT COVER FOR REFERENCES ONLY



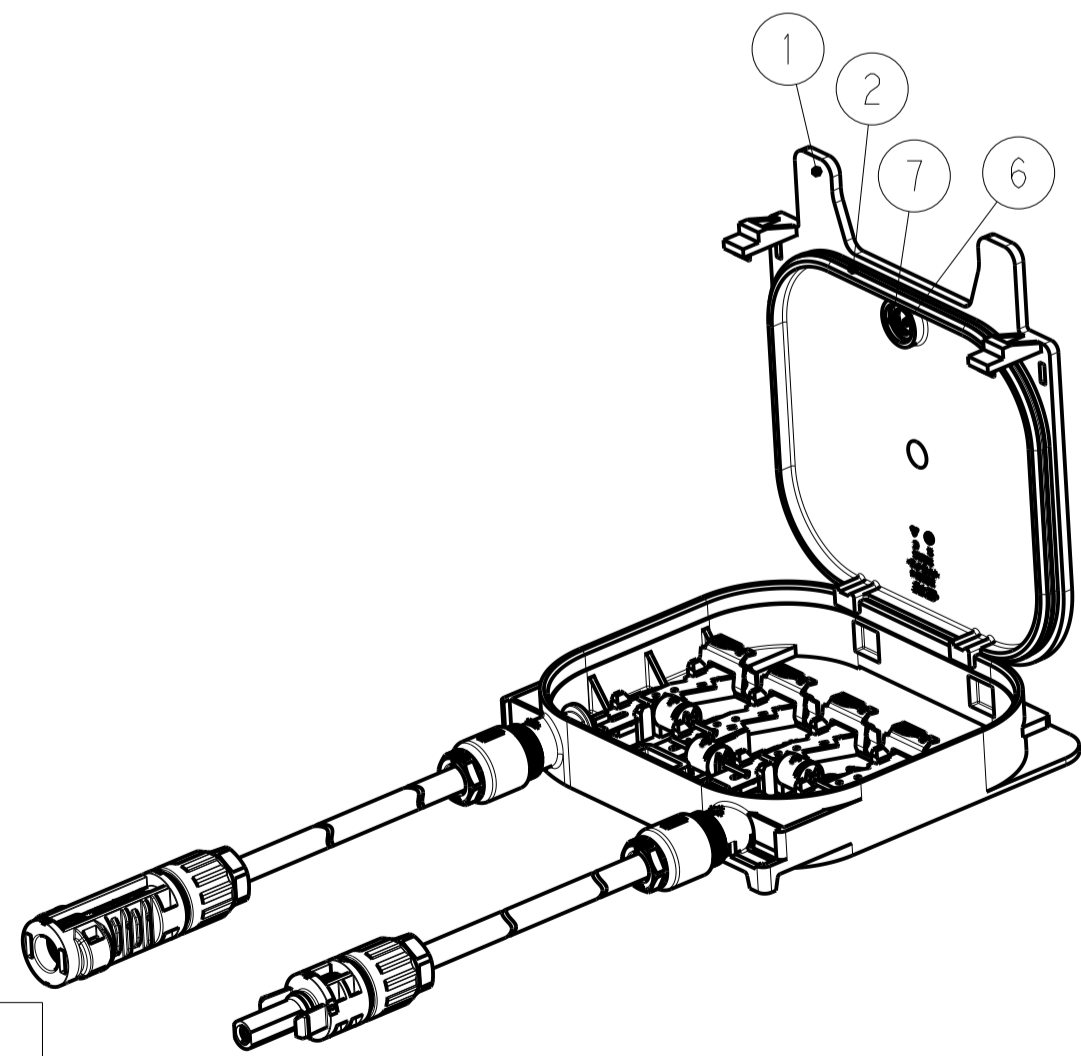
ASSEMBLY SHOWN WITHOUT COVER FOR REFERENCES ONLY

±, -2 & → AS SHOWN

±, -1, -2 & → AS SHOWN



VIEW SHOWN WITH COVER OPEN
SCALE 1:2



VIEW WITH ASSEMBLED COVER OPEN
SCALE 1:2

QTY.	ITEM-NO.	DESCRIPTION	SURFACE / COLOUR	MATERIAL
	14	ADHESIVE TAPE, DOUBLE SIDED (60mm X 20mm X 1.0mm)	-	-
	13	SOLAR CABLE, 1500 V, DUAL RATED (TUV,UL), 4mm ² /12 AWG	BLACK	-
	12	PV4-SI CONNECTOR (SOCKET) PLUS CODED, 1500 V RATED	BLACK	-
	11	PV4-SI CONNECTOR (PIN) MINUS CODED, 1500 V RATED	BLACK	-
	10	BYPASS DIODE TYPE: SL1515B	-	-
	9	PINCH RING SEAL INMOLDED, ASSY	BLACK	PA66/LSR
	8	CABLE SCREW JOINT	BLACK	PBT
	7	RING FOR ULTRASONIC WELDING	-	-
	6	MEMBRANE VENTS	-	-
	5	S-CLIP	PLAIN	STAINLESS STEEL
	4	CONTACT RAIL	TIN HOT DIPPED	CuSn
	3	SOLAR MODULE BOX LOWER PART, WITH STANDOFFS	BLACK	PPE+PS
	2	O-RING SEAL	RED	SILOPREN
	1	SOLAR MODULE BOX COVER, ASSY. UL WITH UNIFIED MARKING	BLACK	PPE+PS

ADHESIVE TAPE	PACKAGING QTY.	CABLE LENGTH	UNIFIED MARKING	PART NUMBER	
YES	35 PIECES	900mm	YES	1 2270135-3	OBSOLETE
YES	30 PIECES	1200mm	YES	1 2270135-2	
YES	35 PIECES	1000mm	YES	1 2270135-1	OBSOLETE
NO	35 PIECES	900mm	YES	2270135-3	
NO	30 PIECES	1200mm	YES	2270135-2	
NO	35 PIECES	1000mm	YES	2270135-1	

THIS DRAWING IS A CONTROLLED DOCUMENT. DWG: BRAGHU 12APR2016
CHK: ZHANG ALEX 12APR2016
APVD: ZHONG YUAN 12APR2016

TE Connectivity

NAME: Z-RAIL, S-CLIP, PV4-SI CONNECTOR, Z-RAIL 1500 V JUNCTION BOX ASS'Y

PRODUCT SPEC: 108-2471-1
APPLICATION SPEC: 114-13303-1

WEIGHT: -
CUSTOMER DRAWING

SCALE: 1:1 SHEET 1 OF 2 REV D2

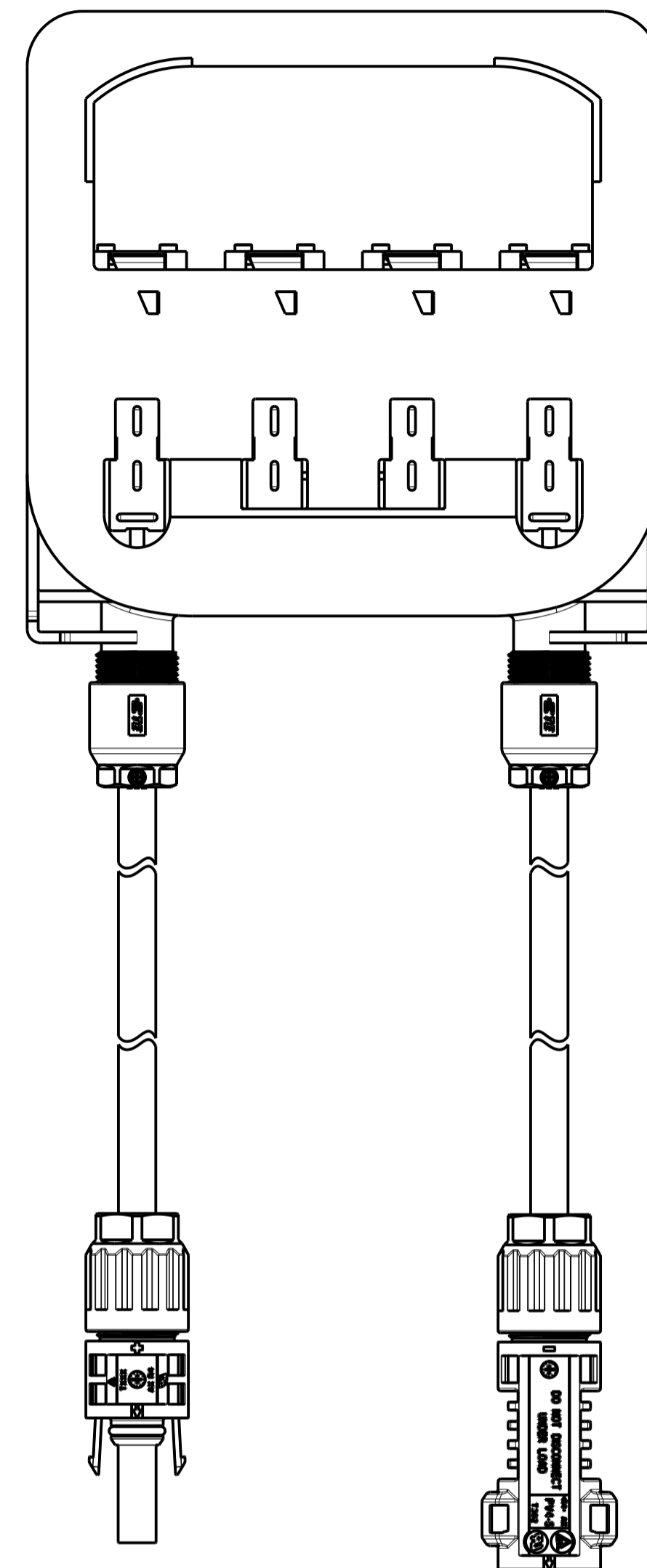
- 1 COVER NOT ASSEMBLED WITH LOWER PART. ENCLOSE LOOSELY.
- 2 PART NUMBER.
- 3 PRODUCTION DATE (YYMMDD).
- 4 MANUFACTURING LOCATION CODE.
- 5 FOR CABLES PER APPLICATION SPEC. 114-18488-1 WITH OUTER DIAMETER 5.5 - 7.8mm
- 6 DIODE SL1515B ACC. SPEC. 108-94244.
- 7 MODEL CODE ACCORDING TE-SPEC. 404-74000-1.
- 8 CONSECUTIVE SERIAL NUMBER.
- 9 TEST EQUIPMENT NUMBER.
- 10 DIODES WELDED ON CONTACT RAIL EXCHANGABLE WITH REP-KIT. SEE APPL.SPEC. 114-13303-1.
- 11 DIODE SL1515E ACC. SPEC. 108-106133 CAN ALTERNATIVELY USED.
- 12 ONLY DIODES OF THE SAME TYPE RESP. DESIGNATION ARE PERMITTED FOR USE IN ONE AND THE SAME SOLAR BOX. ONLY SOLARLOK BOXES WITH THE SAME DIODES ARE PERMITTED TO PACK IN ONE AND THE SAME CORRUGATED SHIPPING BOX.
- 13 MARK FOR DIODE TYPE:
B FOR DIODE SL1515B
E FOR DIODE SL1515E
- 14 INDICATION FOR JUNCTION BOX ASSY VOLTAGE AND CURRENT RATINGS.
- 15 UL4703 & EN50618 APPROVED SOLAR CABLE P/N: 2270215-1 AND 2270245-1 CAN BE ALTERNATIVELY USED.

MOUNTING INSTRUCTION

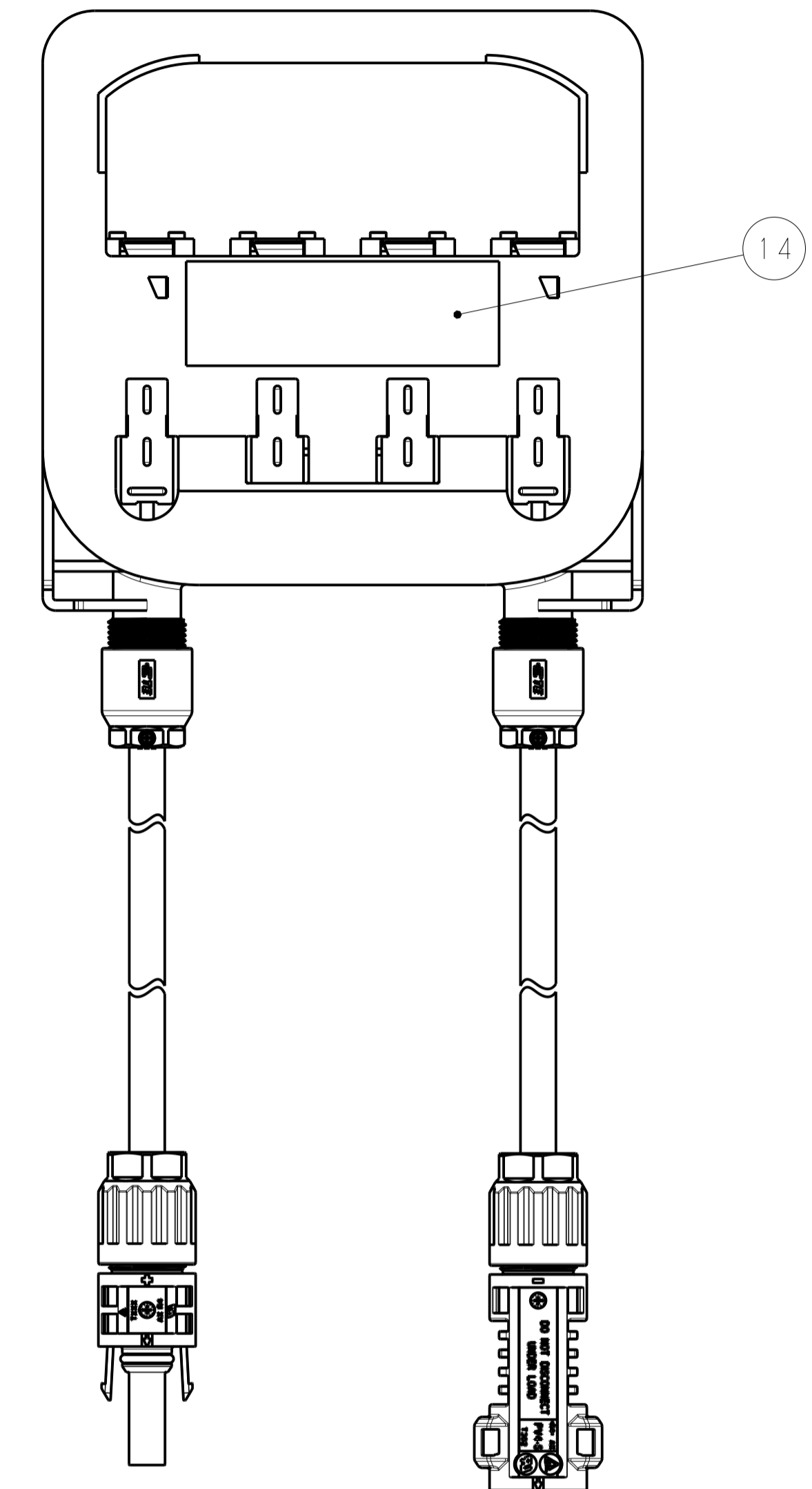
- FOR COVER ASSY: 1. MOUNT COVER ITEM NO. 1 AND 2 INTO THE LOWER PART ITEM NO. 3 AND CLOSE IT. (LATCH SNAP IN).
2. RE-OPEN: PUT IN MARKED OPENING  SCREWDRIVER 3mm AND MOVE LATCH UNTIL LOCKING LATCH FREE THE COVER. OPEN COVER ITEM NO. 1 AND 2

- 16 PACKAGING: 35 PIECES SOLAR MODULE BOX WITH CABLE ASSY'S PACKED IN TWO ROWS OF 17 AND 18 BOXES ON TOP OF CORRUGATED LAYER PAD IN CORRUGATED SHIPPING BOX PER TE-SPEC. 107-18052. SOLAR MODULE BOX WITH CABLE ASSY'S COVERED WITH CORRUGATED LAYER PAD. 35 PIECES SOLAR MODULE BOX COVER ASSY'S ITEM No. 1 PACKED ON TOP OF CORRUGATED LAYER. 3x5 STACKS PACKAGED IN ESD PLASTIC BAG AND PUT ON THE CORRUGATED LAYER PAD. ON TOP USED AS COVER - PAPER CUSHION.

PACKAGING UNIT: 35 PIECES
STANDARD PACKAGING QUANTITY: 35 PIECES.



REAR VIEW OF
1, 2 & 3 AS SHOWN
WITHOUT MOUNTING TAPE




REAR VIEW OF
1, 1, 1, 2 & 3 AS SHOWN
WITH MOUNTING TAPE

- 17 PACKAGING: 30 PIECES JUNCTION BOX ASSEMBLY, Z-RAIL, FOIL CLIP PACKED IN TWO ROWS OF 15 BOXES EACH ON TOP OF CORRUGATED LAYER PAD . IN CORRUGATED SHIPPING BOX PER TE-SPEC. 107-18052. JUNCTION BOX ASSEMBLY, Z-RAIL, FOIL COVERED WITH CORRUGATED LAYER PAD. 30 PIECES JUNCTION BOX LID ASSEMBLY, Z-RAIL, FOIL ITEM No. 1 PACKED ON TOP OF CORRUGATED LAYER. 15 IN THE FIRST AND SECOND LEVEL PACKAGED IN ESD PLASTIC BAG AND PUT ON THE CORRUGATED LAYER PAD. ON TOP USED AS COVER - PAPER CUSHION.

PACKAGING UNIT: 30 PIECES
STANDARD PACKAGING QUANTITY: 30 PIECES.

REVISIONS				
P.	LTN	DESCRIPTION	DATE	APVD
-	-	SEE SHEET 1	-	-

THIS DRAWING IS A CONTROLLED DOCUMENT.		OWN: 12APR2016	
		CHK: RAGHU 12APR2016	
		CHK: ZHANG ALEX 12APR2016	NAME: Z-RAIL, S-CLIP, PV4-SI CONNECTOR, Z-RAIL 1500 V JUNCTION BOX ASS'Y
		APVD: PHONG YUAN 12APR2016	
DIMENSIONS: mm		TOLERANCES UNLESS OTHERWISE SPECIFIED:	PRODUCT SPEC: 108-2471-1
0 PLC ±2		±2.0	APPLICATION SPEC: 114-13303-1
1 PLC ±2.0			SIZE: A
2 PLC ±			CAGE CODE: 00779
3 PLC ±			DRAWING NO: 2270135
4 PLC ±			SCALE: 1:1
ANGLES ±			SHEET: 2 OF 2
MATERIAL: -		FINISH: -	REV: D2
		WEIGHT: -	
		CUSTOMER DRAWING	