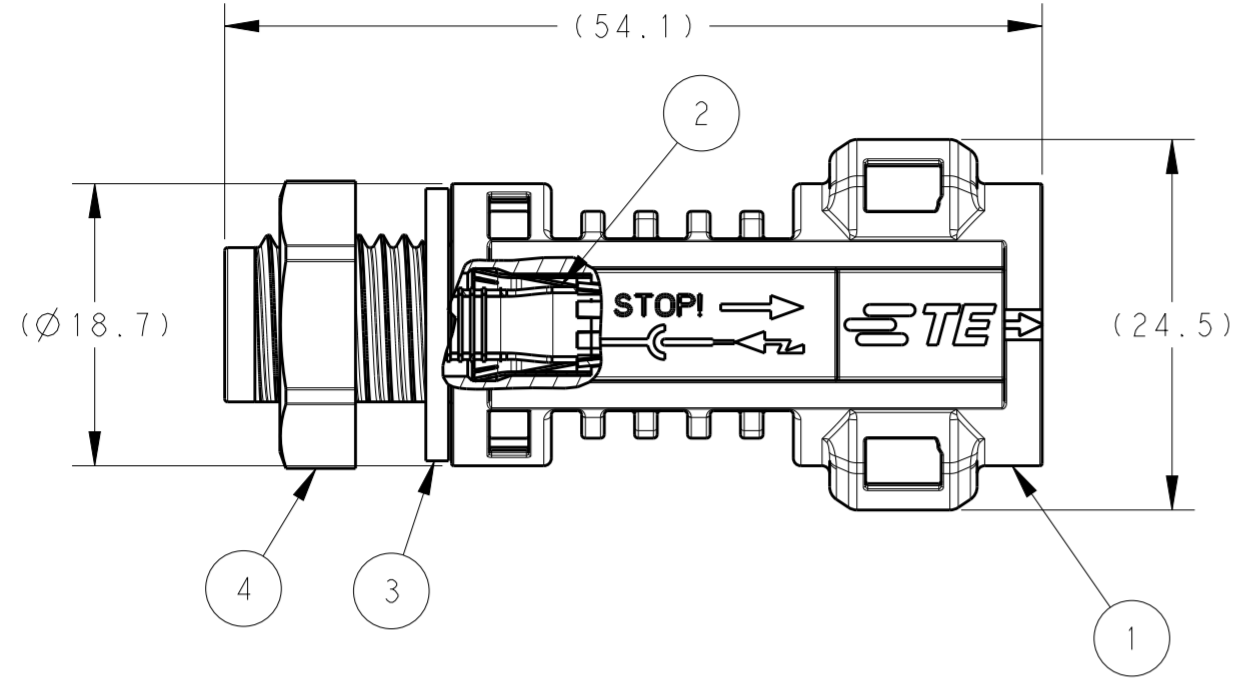
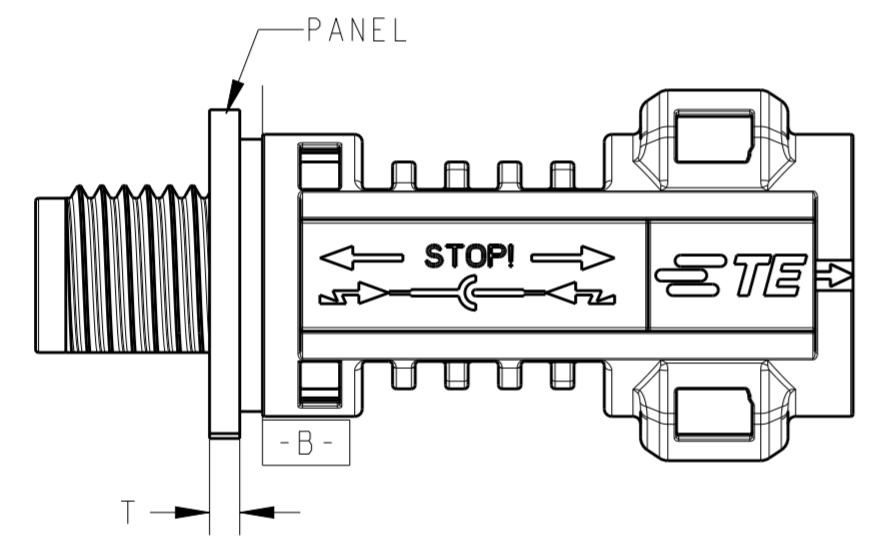


THIS DRAWING IS UNPUBLISHED. RELEASED FOR PUBLICATION 20
 © COPYRIGHT 20 BY TE CONNECTIVITY ALL RIGHTS RESERVED.

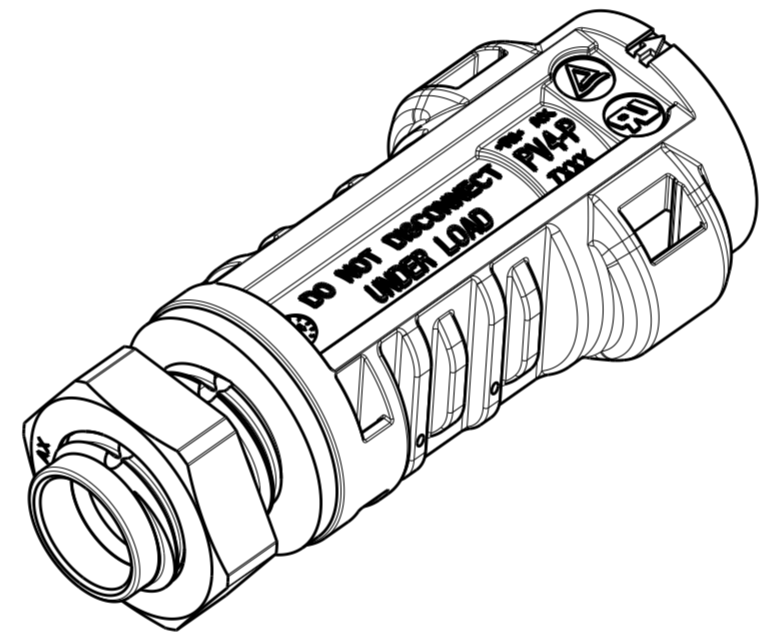
LOC		DIST		REVISIONS			
P	LTR	DESCRIPTION	DATE	DWN	APVD		
	A	NEW RELEASE	09OCT2014	LW	PY		
	B	ECR-18-001422	26MAR2018	SG	SM		



- ① FLAT SEAL ASSEMBLED ON PIN HOUSING
- ② NUT ENCLOSE LOOSELY
- ③ RECOMMENDED TIGHTENING TORQUE FOR NUT (ITEM NO.4) 1.0-1.2Nm WHEN ASSEMBLING AT PANEL WALL
- 4. USE ONLY CRIMPING TOOL OF TE CONNECTIVITY TO CRIMP CONTACT.

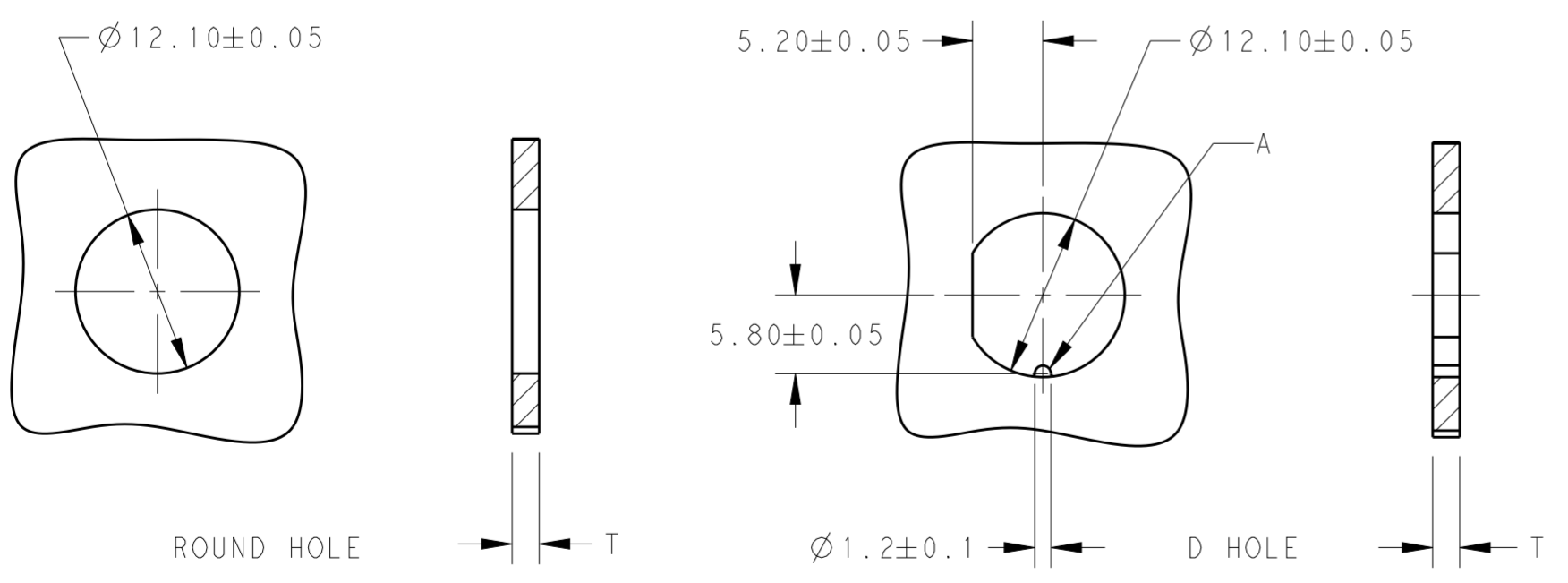


SCALE 2:1



SCALE 2:1

-1 AS SHOWN



RECOMMENDED MOUNTING HOLE
 T(PANEL THICKNESS): 2-6mm
 FEATURE A DETERMINED BY CUSTOMER

QUANTITY	DESCRIPTION	ITEM
100	PACKAGING	
2270039-2	ORDER-NO.	
1	NUT M12x1.5, PC, BALCK	② 4
1	FLAT SEAL, RUBBER, BLACK	① 3
1	METAL CLIP RING, STAINLESS STEEL	2
1	PIN HOUSING, PC, BLACK	1

THIS DRAWING IS A CONTROLLED DOCUMENT.

DWN LORRY WANG 09OCT2014	TE Connectivity
CHK DANIEL TAO 09OCT2014	
APVD PETER YIN 09OCT2014	
PRODUCT SPEC 108-106122	
APPLICATION SPEC 114-106122	NAME PIN CONNECTOR KITS PV4 PANEL MOUNTED CONNECTOR
MATERIAL	SIZE CAGE CODE DRAWING NO RESTRICTED TO
	A200779 C-2270039
CUSTOMER DRAWING	SCALE 2:1 SHEET 1 OF 1 REV B