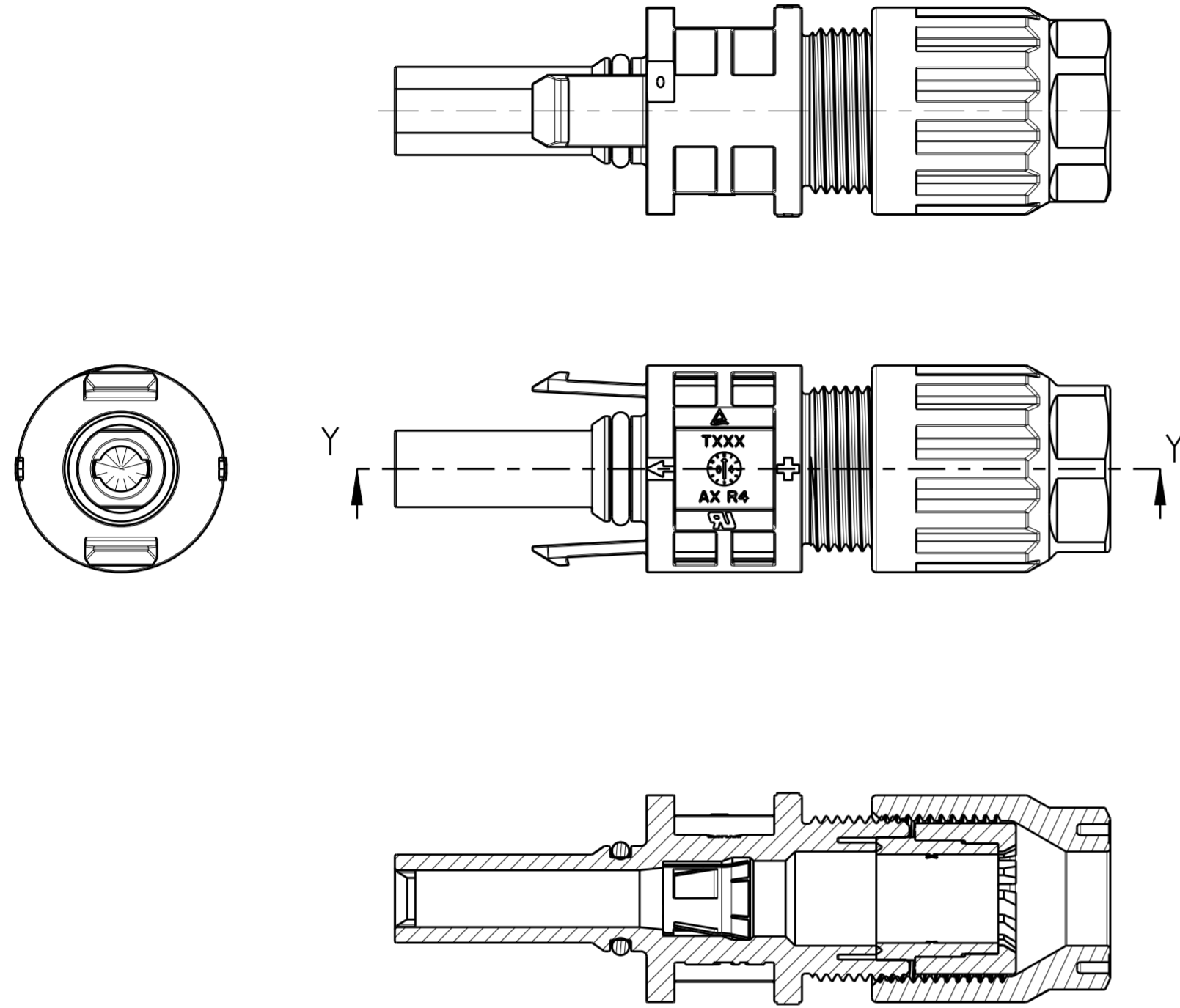
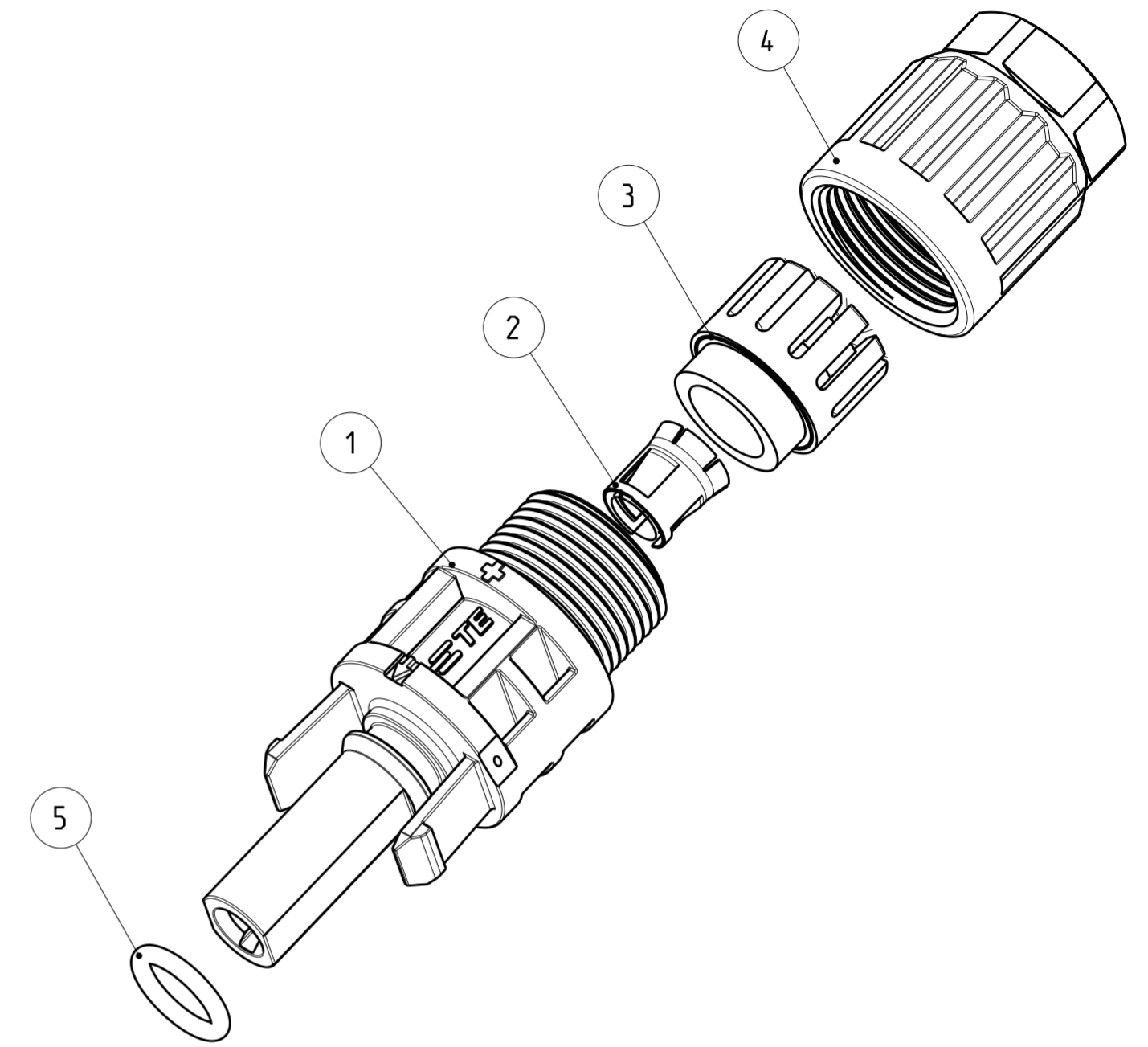


THIS DRAWING IS UNPUBLISHED. RELEASED FOR PUBLICATION 2014
 © COPYRIGHT 2014 BY - TE CONNECTIVITY ALL RIGHTS RESERVED.

LOC	DIST	REVISIONS					
		P	LTR	DESCRIPTION	DATE	DWN	APVD
-	-	A1		INSTANCES WITH PACKAGING QTY. 1 AND 10 ARE REMOVED	01JUN2018	KR	TD
		A2		ECR-14-019142	23DEC2014	LW	PY
		B		OBSOLETE CABLE DIAMETER 5.5mm to 6.0mm	12OCT2017	SG	MS
		B1		ECR-18-008144	01JUN2018	GCM	MZ



SECTION Y-Y



-1 AS SHOWN

- 1 PV4-S SOCKET HOUSING (ITEM NO.1), METAL CLIP (ITEM NO.2) INSERTED INTO ITEM NO.1 AND PINCH RING SEAL ASSY (ITEM NO.3) PREASSEMBLED WITH CABLE SCREW JOINT (ITEM NO.4). CABLE SCREW JOINT (ITEM NO.4) SCREWED WITH 2-3 TURNS ON PV4-S SOCKET HOUSING CONNECTOR (ITEM NO.1).
- 2 O-RING (ITEM NO.5) ASSEMBLED ON PV4-S SOCKET CONNECTOR HOUSING (ITEM NO.1)
- 3 FOR CABLE DIAMETER 6.0mm to 7.8mm (NOMINAL VALUE).

100	1000	PACKAGING QTY.		
2-2270023-1	2270023-1			
-	-	O-RING (BLUE)	2	5
1	1	O-RING (RED)	2	
1	1	CABLE SCREW JOINT	1	4
1	1	PINCH RING SEAL INMOLDED, ASSY	1 3	3
1	1	METAL CLIP		2
1	1	PV4-S1 SOCKET CONNECTOR HOUSING.	1	1
		DESCRIPTION		ITEM

THIS DRAWING IS A CONTROLLED DOCUMENT.

DWN WANG LORRY 12 JUN 2014	TE Connectivity	NAME PV4-S1 SOCKET CONNECTOR PREASSEMBLED	
CHK TAO DANIEL 12 JUN 2014		PRODUCT SPEC 108-137077	
APVD PETER YIN 12 JUN 2014		APPLICATION SPEC 114-137077	
MATERIAL	SIZE A2	CAGE CODE 00779	DRAWING NO G-2270023
	WEIGHT	RESTRICTED TO	
	Customer Drawing	SCALE 2:1	SHEET 1 OF 1

REV B1