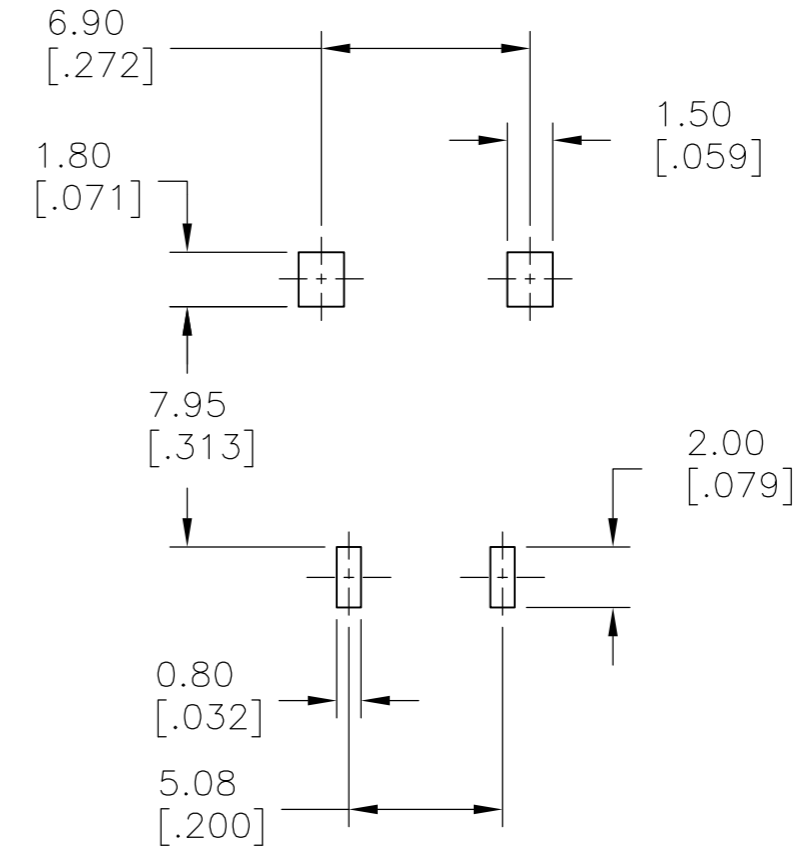
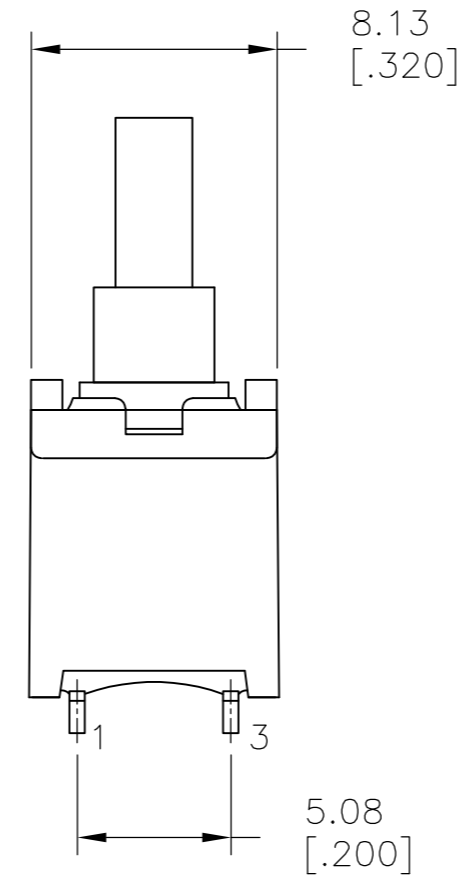
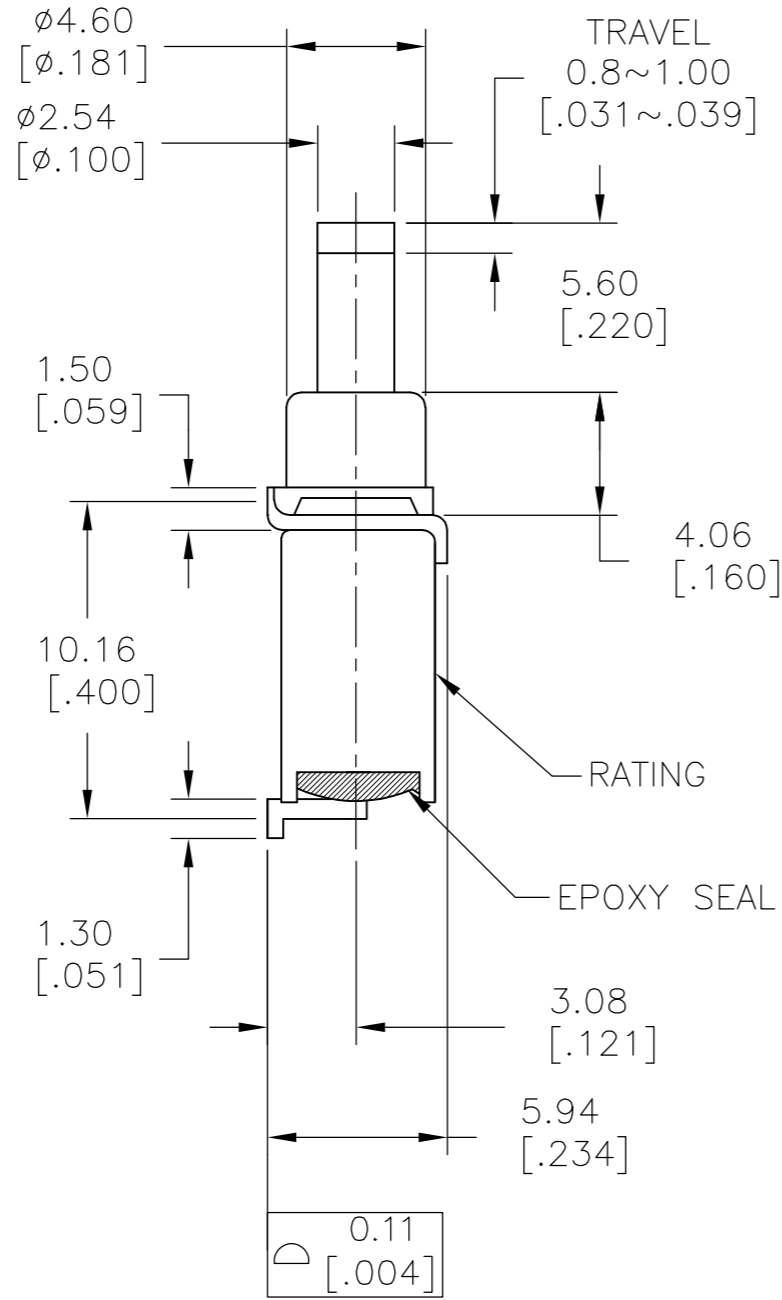
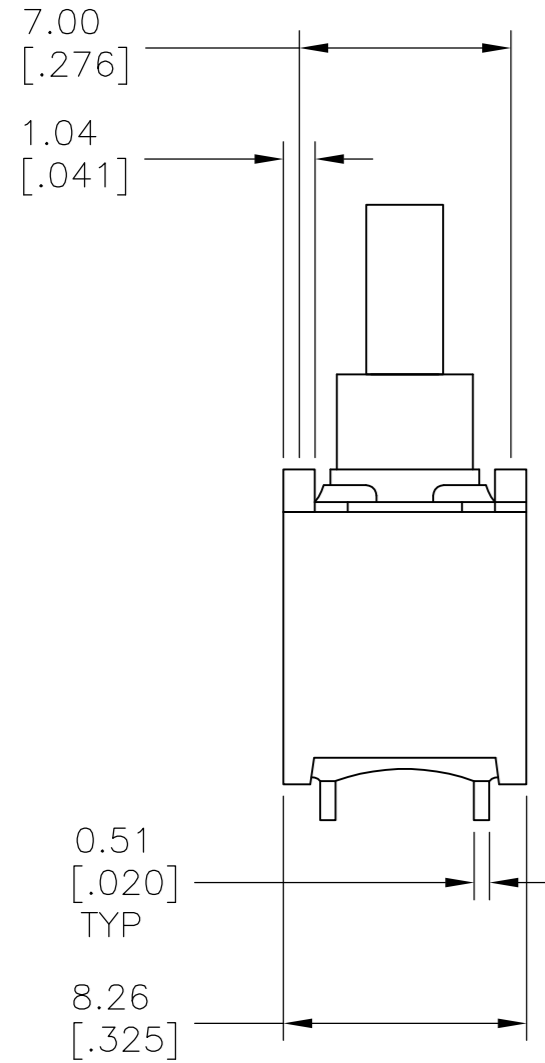


THIS DRAWING IS UNPUBLISHED. RELEASED FOR PUBLICATION  
 © COPYRIGHT - By - ALL RIGHTS RESERVED.

REVISIONS					
P	LTR	DESCRIPTION	DATE	DWN	APVD
A1		REVISED PER ECR-16-011788	22AUG2016	RS	SS

SPECIFICATIONS

MECHANICAL LIFE: 50,000 MAKE AND BREAK CYCLES.  
 CONTACT RESISTANCE: 20 mΩ MAX. INITIAL @ 2-4VDC  
 100mA FOR GOLD PLATED CONTACTS.  
 INSULATION RESISTANCE: 1,000 MΩ MIN.  
 DIELECTRIC STRENGTH: 1,000V RMS MIN @SEA LEVEL.  
 OPERATING TEMPERATURE: -30°C TO 85°C.  
 CONTACT RATING: 0.4VA MAX @ 20V MAX (AC OR DC)  
 SEALED PER IP67.



P.C. MOUNTING

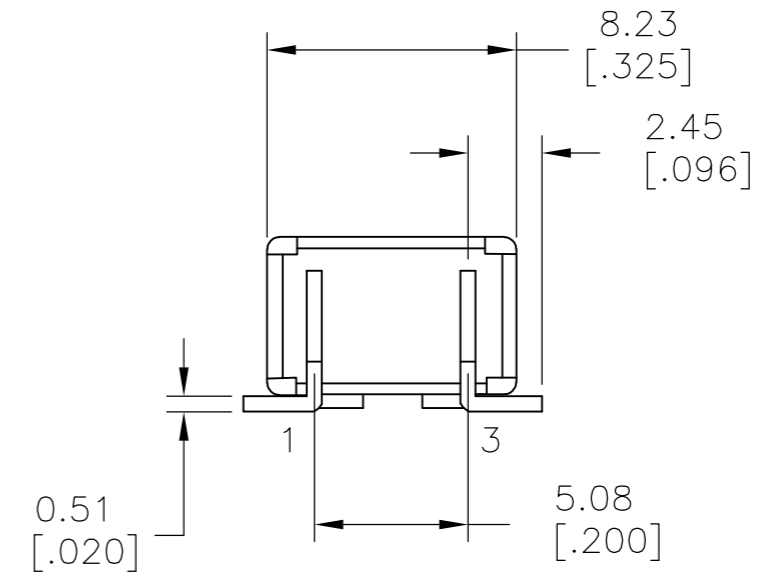
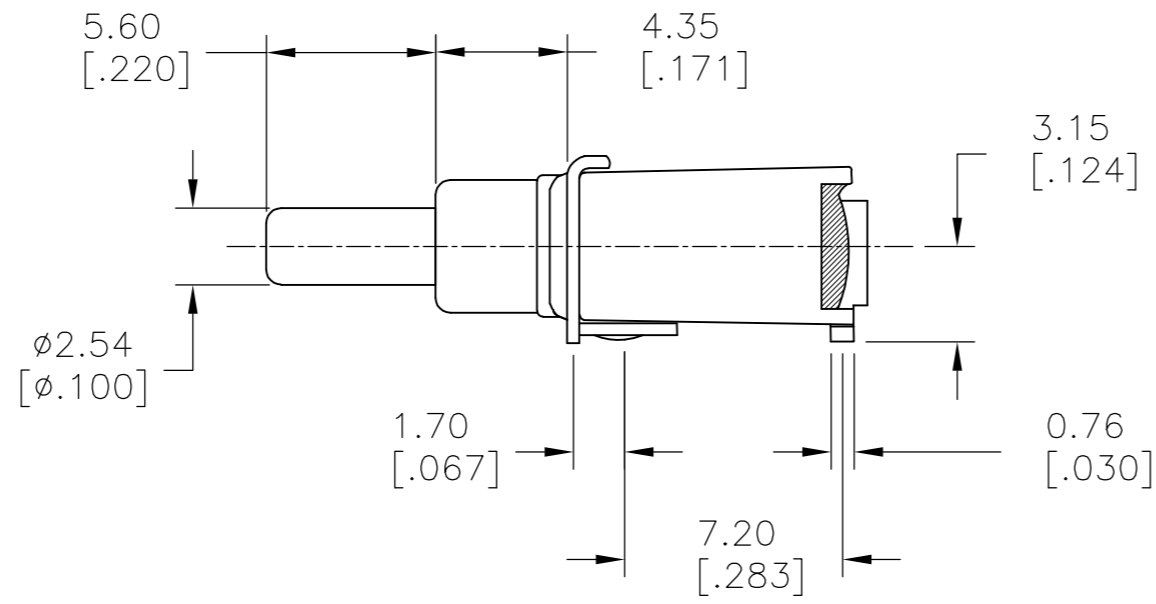
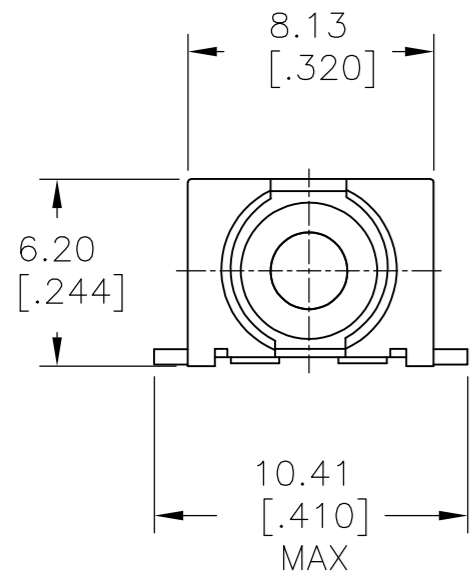
VERTICAL LAYOUT

VERTICAL, SMT	1-3	-	OFF-(ON)	1	1	PBS9MZRES	2267130-4
RIGHT ANGLE, SMT	1-3	-	OFF-(ON)	1	1	PBS9MTRES	2267130-3
VERTICAL, SMT	2-3	2-1	ON-(ON)	1	1	PBS8MZRES	2267130-2
RIGHT ANGLE, SMT	2-3	2-1	ON-(ON)	1	1	PBS8MTRES	2267130-1
TERMINATION	POS 2	POS 1	FUNCTION	THROWS	POLES	TE DESCRIPTIVE PART NUMBER	TE PART NUMBER

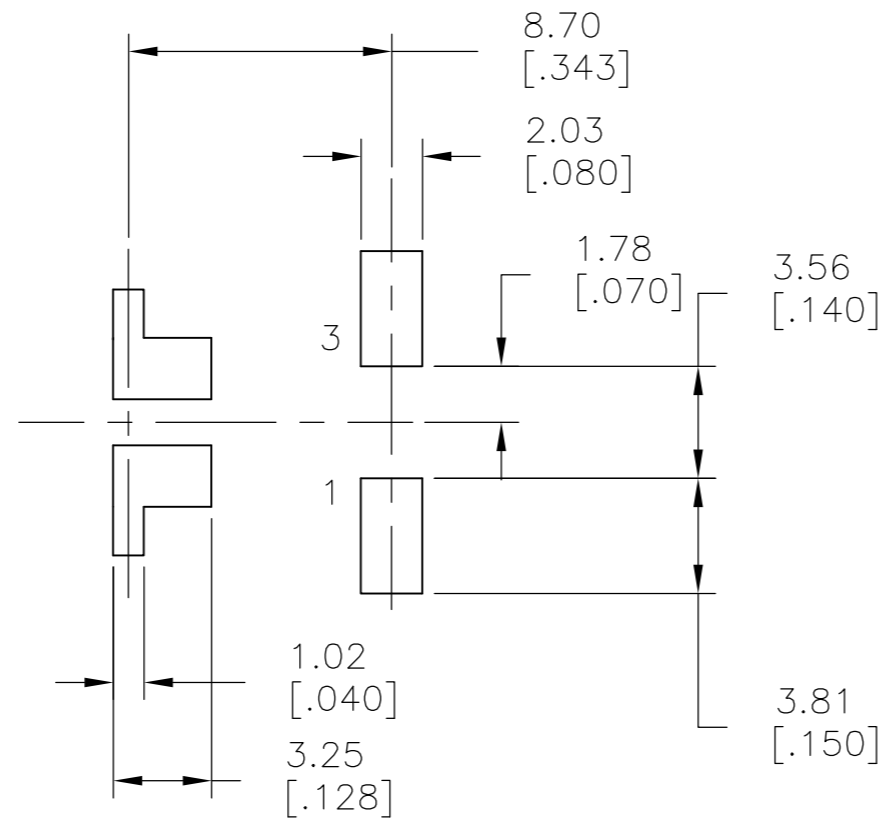
THIS DRAWING IS A CONTROLLED DOCUMENT.		DWN NAGALAKSHMI K 20JUN2014	<b>TE</b> TE Connectivity	
DIMENSIONS: mm [INCHES]		CHK HILL RYAN 20JUN2014		
TOLERANCES UNLESS OTHERWISE SPECIFIED:		APVD HILL RYAN 20JUN2014	NAME SUBMINIATURE PUSHBUTTON SWITCH, SEALED, SMT	
0 PLC ± - 1 PLC ± 0.40[.015] 2 PLC ± 0.25[.010] 3 PLC ± - 4 PLC ± - ANGLES ± 5°		PRODUCT SPEC	SIZE A2	
MATERIAL		APPLICATION SPEC	CAGE CODE -	DRAWING NO C=2267130
FINISH		WEIGHT	RESTRICTED TO -	SCALE 1:1
		CUSTOMER DRAWING	SHEET 1 OF 2	REV A1

THIS DRAWING IS UNPUBLISHED. RELEASED FOR PUBLICATION  
 © COPYRIGHT - By - ALL RIGHTS RESERVED.

REVISIONS				
P	LTR	DESCRIPTION	DATE	APVD
-	-	SEE SHEET 1	-	-



**RIGHT ANGLE LAYOUT**



**P.C. MOUNTING**

THIS DRAWING IS A CONTROLLED DOCUMENT.		DWN NAGALAKSHMI K 20JUN2014		
DIMENSIONS: mm [INCHES]		CHK HILL RYAN 20JUN2014		
TOLERANCES UNLESS OTHERWISE SPECIFIED:		APVD HILL RYAN 20JUN2014	NAME SUBMINIATURE PUSHBUTTON SWITCH, SEALED, SMT	
0 PLC ± - 1 PLC ± 0.40[.015] 2 PLC ± 0.25[.010] 3 PLC ± - 4 PLC ± - ANGLES ± 5°		PRODUCT SPEC APPLICATION SPEC	SIZE A2	CAGE CODE -
MATERIAL		WEIGHT -	DRAWING NO C=2267130	RESTRICTED TO -
FINISH		CUSTOMER DRAWING	SCALE 1:1	SHEET 2 OF 2
			REV A1	