

THIS DRAWING IS UNPUBLISHED.

RELEASED FOR PUBLICATION

2015

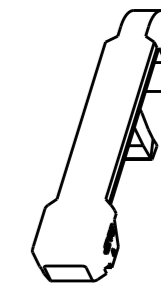
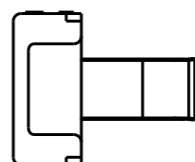
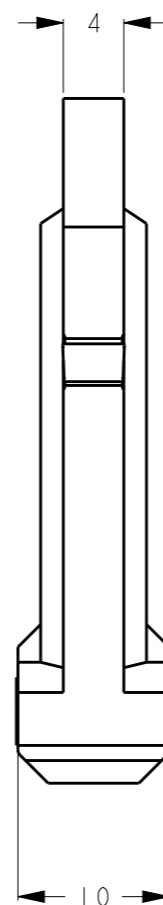
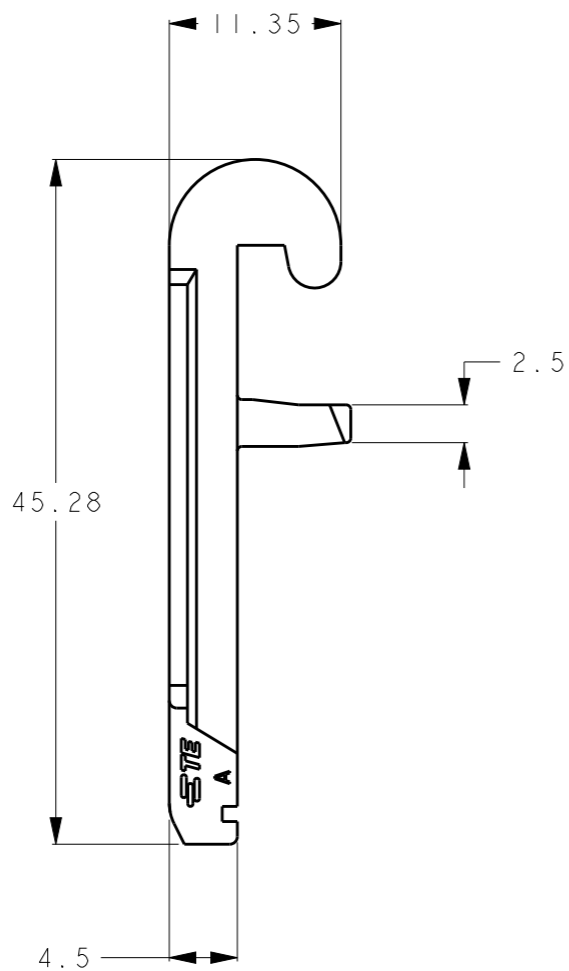
© COPYRIGHT 2015

BY Tyco Electronics Japan G.K.

ALL RIGHTS RESERVED.

REVISIONS

P	LTR	DESCRIPTION	DATE	DWN	APVD
	A	RELEASED	02JUN2015	T.S	N.Y



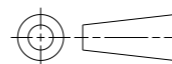
SCALE 1:1

1. MATERIAL : THERMOPLASTIC  
COLOR : NATURAL

THIS DRAWING IS A CONTROLLED DOCUMENT.

DIMENSIONS:

mm



TOLERANCES UNLESS OTHERWISE SPECIFIED:

± 0.3

0 PLC	±
1 PLC	±
2 PLC	±
3 PLC	±
4 PLC	±
ANGLES	±5°

MATERIAL  
THERMOPLASTIC

FINISH

-

DWN	02JUN2015
T. SHIMOYASU	
CHK	02JUN2015
E. TAKEMASA	
APVD	02JUN2015
N. YAMASAKI	

PRODUCT SPEC  
-

APPLICATION SPEC  
-

WEIGHT 1.91g

TE Connectivity		NAME	
		OPENER DYNAMIC D5900	
SIZE	CAGE CODE	DRAWING NO	RESTRICTED TO
A3	-	C-2260828	-
CUSTOMER DRAWING		SCALE 2:1	SHEET 1 OF 1 REV A