

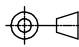


CODE 76 - HEAT SHRINK BOOT BACKSHELL

225M516-19C-D

SERIES _____
 SHELL SIZE (TABLE 1) _____
 MATERIAL _____
 REFER TO CH00-0250-004
 FINISH _____
 REFER TO CH00-0250-004
 MODIFICATION CODE _____
 REFER TO CH00-0250-004 (2)

NOTES:

1. THIS PRODUCT IS DESIGNED TO TERMINATE A HEAT SHRINKABLE LIPPED BOOT TO A CONNECTOR.
- (2) FOR ADDITIONAL DIMENSIONS, ORDERING INFORMATION AND MODIFICATIONS, SEE CH00-0250-004.
3. BACKSHELL TO BE PERMANENTLY MARKED/BAGGED AND LABELLED WITH CODE IDENTIFICATION NUMBER AND PART NUMBER. (e.g. 06090-225M512-19B).
- (4) KNURL INSIDE BOOT GROOVE MAY BE SUPPLIED AT MANUFACTURER'S OPTION.
5. BACKSHELL MATES TO BS9522 N0001 PATT 603, BS9522 F0017 PATT 105, DEF. STAN. 59-35.

DRAWN	K.SHEPPARD	DATE	03/08/2015	 3RD ANGLE PROJECTION NOT TO SCALE	TITLE: HEAT SHRINK BOOT BACKSHELL	 Polamco 		
CHECKED		03/08/2015						
APPROVED			UNLESS OTHERWISE SPECIFIED ALL DIMENSIONS IN MILLIMETRES GENERAL TOL LINEAR +/-0.25MM ANGULAR +/- 1°					
APPROVED	H.SMITH	20/08/2015						
REVISIONS					ASSY USED ON: PATT 105 / PATT 603 / DEF-STAN 59-35			
LTR	DESCRIPTION	DATE	APPROVED					
C	REVISED PER ECO-13-017258	11/04/2013	I.MYONG					
D	REVISED PER ECO-15-012000	20/08/2015	H.SMITH					
TE CAGE CODE: 06090 POLAMCO/TE CAGE CODE: U5792					TE CONNECTIVITY - POLAMCO LTD RESERVES THE RIGHT TO AMEND THIS DRAWING AND THE INFORMATION SET FORTH HEREON AT ANY TIME. USERS SHOULD INDEPENDENTLY EVALUATE THE SUITABILITY OF THE PRODUCT FOR THEIR APPLICATION.	DRAWING NO: 225M5XX	DRAWING REV: D	SHT 1

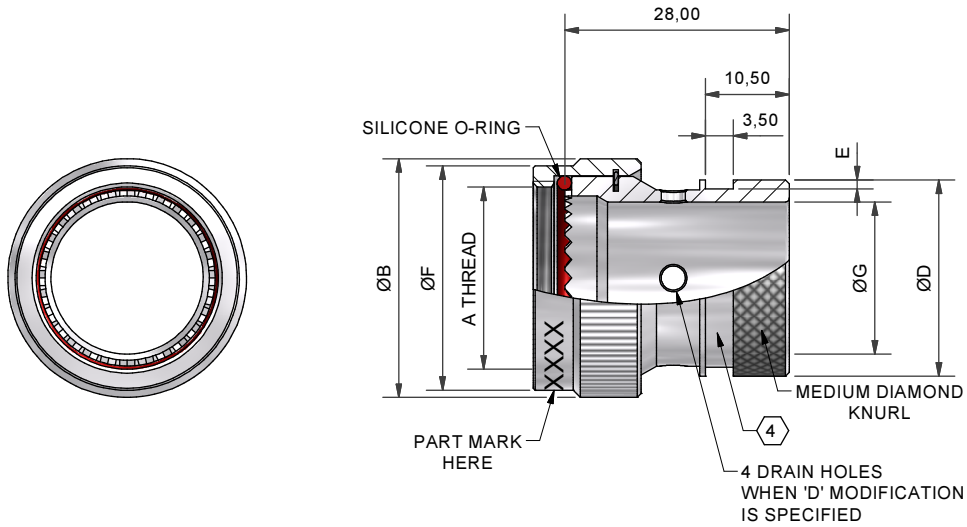


TABLE 1

BASE PART NUMBER	SHELL SIZE	A THREAD	ØB MAX	ØD +0,0/-0,5	E +0,20/-0,00	ØF MAX	ØG
225M508	08	7/16-28UNEF	17,3	13,5	1,12	15,0	7,2
225M510	10	9/16-24UNEF	20,3	15,5	1,12	18,0	9,8
225M512	12	11/16-24UNEF	23,8	19,5	1,12	21,5	13,5
225M514	14	13/16-20UNEF	26,8	21,5	1,12	24,5	15,9
225M516	16	15/16-20UNEF	29,8	24,5	1,12	28,0	19,0
225M518	18	1 1/16-18UNEF	33,3	26,5	1,12	31,0	21,4
225M520	20	1 3/16-18UNEF	36,3	31,0	1,75	34,0	24,6
225M522	22	1 5/16-18UNEF	39,8	34,5	1,75	37,0	27,8
225M524	24	1 7/16-18UNEF	42,8	36,5	1,75	40,5	31,0

DRAWN	K.SHEPPARD	DATE	03/08/2015	<p>3RD ANGLE PROJECTION NOT TO SCALE</p> <p>UNLESS OTHERWISE SPECIFIED ALL DIMENSIONS IN MILLIMETRES GENERAL TOL LINEAR +/-0,25MM ANGULAR +/- 1°</p>
CHECKED		DATE	03/08/2015	
APPROVED				
APPROVED	H.SMITH	DATE	20/08/2015	

TITLE:
HEAT SHRINK BOOT BACKSHELL

ASSY USED ON:
PATT 105 / PATT 603 / DEF-STAN 59-35



REVISIONS			
LTR	DESCRIPTION	DATE	APPROVED
C	REVISED PER ECO-13-017258	11/04/2013	I.MYONG
D	REVISED PER ECO-15-012000	20/08/2015	H.SMITH

TE CONNECTIVITY - POLAMCO LTD RESERVES THE RIGHT TO AMEND THIS DRAWING AND THE INFORMATION SET FORTH HEREON AT ANY TIME. USERS SHOULD INDEPENDENTLY EVALUATE THE SUITABILITY OF THE PRODUCT FOR THEIR APPLICATION.		DRAWING NO: 225M5XX	DRAWING REV: D	SHT 2
--	--	-------------------------------	--------------------------	-----------------

TE CAGE CODE: 06090
POLAMCO/TE CAGE CODE: U5792