

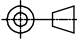


CODE 78 - BRAID TAIL BACKSHELL

225M216-19B08

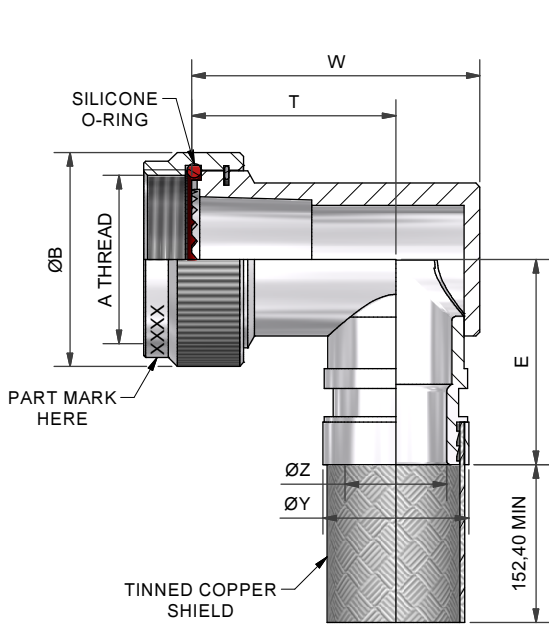
SERIES _____
 ORDER NUMBER (TABLE 1) _____
 MATERIAL _____
 REFER TO CH00-0250-004 _____
 FINISH _____
 REFER TO CH00-0250-004 (2) _____
 ENTRY SIZE (TABLE 2) _____

NOTES:

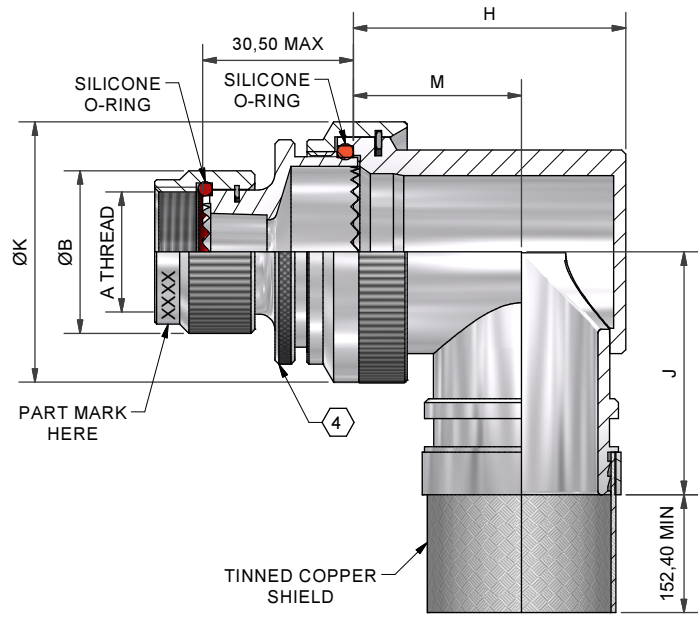
1. THIS PRODUCT IS DESIGNED TO TERMINATE A HEAT SHRINKABLE LIPPED BOOT TO A CONNECTOR.
- (2) FOR ADDITIONAL DIMENSIONS, ORDERING INFORMATION AND MODIFICATIONS, SEE CH00-0250-004
3. BACKSHELL TO BE PERMANENTLY MARKED/BAGGED AND LABELLED WITH CODE IDENTIFICATION NUMBER AND PART NUMBER. (e.g. 06090-225M216-19B08).
- (4) WHEN ENTRY SIZE EXCEEDS "MAX ENTRY", A 2 PIECE BACKSHELL (TYPE 2) IS SUPPLIED.
5. BRAID TERMINATION RING MAY BE SUPPLIED AS TINEL-LOCK SHAPE MEMORY RING AT MANUFACTURERS OPTION.
6. BACKSHELL MATES TO BS9522 F0032 (PATT121B) CONNECTORS; ONLY MANUFACTURED BY AB CONNECTORS LTD. SEALING IS ONLY ACHIEVED WHEN USING GROMMETS ABB-**-**-GAC-***, SUPPLIED BY AB CONNECTORS.

DRAWN	K.WINCZURA	DATE	12/08/2015	 3RD ANGLE PROJECTION NOT TO SCALE	TITLE: BRAID TAIL BACKSHELL	 Polanco 
CHECKED		12/08/2015				
APPROVED	K.SHEPPARD	14/08/2015	UNLESS OTHERWISE SPECIFIED ALL DIMENSIONS IN MILLIMETRES GENERAL TOL LINEAR +/-0.25MM ANGULAR +/- 1°			
APPROVED	H.SMITH	20/08/2015				
REVISIONS					ASSY USED ON: BS9522 F0032 (PATT121B) CONNECTORS	DRAWING NO: 225M2XX DRAWING REV: C SHT 1
LTR	DESCRIPTION	DATE	APPROVED			
B	REVISED PER ECN AD93032					
C	REVISED PER ECO-15-012000	20/08/2015	H.SMITH			
TE CAGE CODE: 06090 POLAMCO/TE CAGE CODE: U5792					TE CONNECTIVITY - POLAMCO LTD RESERVES THE RIGHT TO AMEND THIS DRAWING AND THE INFORMATION SET FORTH HEREON AT ANY TIME. USERS SHOULD INDEPENDENTLY EVALUATE THE SUITABILITY OF THE PRODUCT FOR THEIR APPLICATION.	

IF MAX ENTRY IS EXCEEDED BACKSHELL
WILL BE SUPPLIED AS TYPE 2



90° BACKSHELL - TYPE 1



90° BACKSHELL - TYPE 2

TABLE 1

BASE PART NUMBER	SHELL SIZE (6)	A THREAD	ØB MAX	MAX ENTRY	W ±0,5	T ±0,5	E ±0,5
225M212	10SL, 12S	5/8-24UNEF	20,3	05	25,0	17,3	24,6
225M214	14S	3/4-20UNEF	23,7	07	29,0	20,0	25,7
225M216	16, 16S	7/8-20UNEF	26,7	08	36,0	25,5	27,2
225M218	18	1-20UNEF	30,3	09	39,0	27,0	28,7
225M220	20	1 1/8-18UNEF	35,3	11	42,0	28,0	30,4
225M222	22	1 1/4-18UNEF	38,3	14	45,0	29,5	32,0
225M224	24	1 3/8-18UNEF	41,3	16	48,0	31,0	33,6
225M228	28	1 5/8-18UNEF	47,8	18	55,1	35,5	36,6
225M232	32	1 7/8-16UN	54,2	22	59,0	36,2	38,0
225M236	36	2 1/16-16UNS	62,2	24	64,0	39,0	42,5

TABLE 2

ENTRY SIZE	ØK MAX	ØZ REF	ØY REF	H ±0,5	M ±0,5	J ±0,5
03	NA	4,77	13,1	NA	NA	NA
04	NA	6,35	13,1	NA	NA	NA
05	21,0	7,92	13,1	24,0	15,5	25,7
06	21,0	9,52	17,9	24,0	15,5	25,7
07	21,0	11,12	17,9	24,0	15,5	25,7
08	24,5	12,70	17,9	27,0	17,0	27,2
09	24,5	14,27	17,9	27,0	17,0	27,2
10	29,0	15,87	24,2	31,0	19,5	28,7
11	32,5	17,47	24,2	34,0	21,0	30,4
12	32,5	19,05	24,2	34,0	21,0	30,4
13	35,5	20,62	24,2	35,0	20,0	32,1
14	35,5	22,23	30,6	35,0	20,0	32,1
15	37,0	23,82	30,6	38,0	21,5	33,7
16	37,0	25,40	30,6	38,0	21,5	33,7
17	40,0	26,98	33,2	42,0	24,0	35,2
18	40,0	28,60	33,2	42,0	24,0	35,2
20	43,5	31,80	42,0	45,0	25,5	36,7
21	48,5	33,34	42,0	54,5	31,0	39,8
22	48,5	35,00	42,0	54,5	31,0	39,8
24	52,1	38,10	42,0	58,0	33,0	43,8
28	58,5	44,45	49,0	65,5	36,5	48,9

DRAWN	K.WINCZURA	DATE	12/08/2015	<p>3RD ANGLE PROJECTION NOT TO SCALE</p>												
CHECKED		DATE	12/08/2015													
APPROVED	K.SHEPPARD	DATE	14/08/2015													
APPROVED	H.SMITH	DATE	20/08/2015													
<p>UNLESS OTHERWISE SPECIFIED ALL DIMENSIONS IN MILLIMETRES GENERAL TOL LINEAR +/-0,25MM ANGULAR +/- 1°</p>																
<p>REVISIONS</p> <table border="1"> <thead> <tr> <th>LTR</th> <th>DESCRIPTION</th> <th>DATE</th> <th>APPROVED</th> </tr> </thead> <tbody> <tr> <td>B</td> <td>REVISED PER ECN AD93032</td> <td></td> <td></td> </tr> <tr> <td>C</td> <td>REVISED PER ECO-15-012000</td> <td>20/08/2015</td> <td>H.SMITH</td> </tr> </tbody> </table>					LTR	DESCRIPTION	DATE	APPROVED	B	REVISED PER ECN AD93032			C	REVISED PER ECO-15-012000	20/08/2015	H.SMITH
LTR	DESCRIPTION	DATE	APPROVED													
B	REVISED PER ECN AD93032															
C	REVISED PER ECO-15-012000	20/08/2015	H.SMITH													

TITLE:

BRAID TAIL BACKSHELL

ASSY USED ON:

BS9522 F0032 (PATT121B) CONNECTORS



TE CONNECTIVITY - POLAMCO LTD RESERVES THE RIGHT TO AMEND THIS DRAWING AND THE INFORMATION SET FORTH HEREON AT ANY TIME. USERS SHOULD INDEPENDENTLY EVALUATE THE SUITABILITY OF THE PRODUCT FOR THEIR APPLICATION.

DRAWING NO:
225M2XX

DRAWING REV:
C

SHT
2

TE CAGE CODE: 06090
POLAMCO/TE CAGE CODE: U5792

If this document is printed it becomes uncontrolled. Check for the latest revision