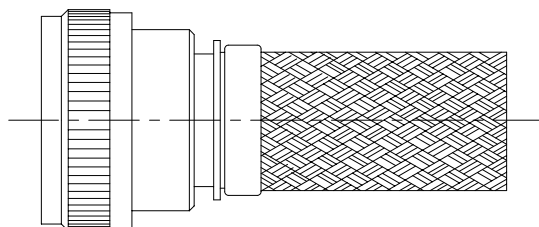


REVISIONS			
LTR	DESCRIPTION	DATE	APPROVED
B	REVISED PER ECN AD93032		



CODE 78, SHIELDED STRAIGHT ADAPTER

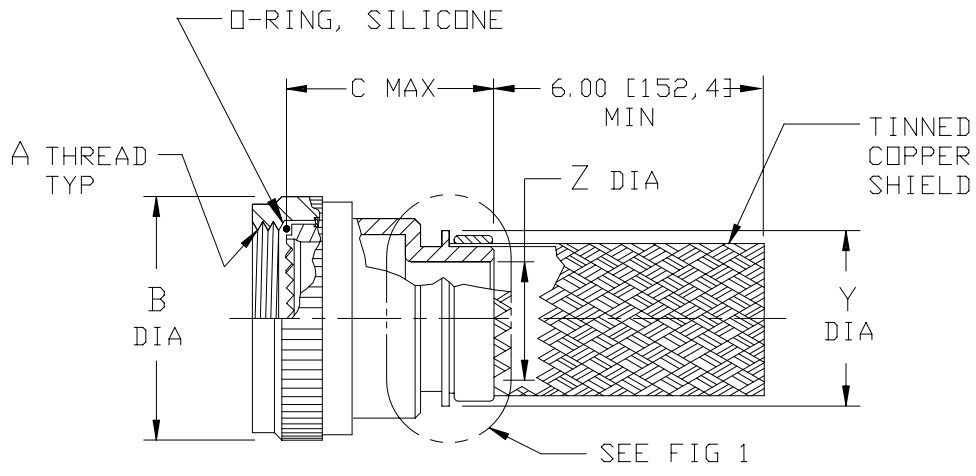
NOTES:

1. THIS PRODUCT IS DESIGNED TO TERMINATE A HEAT SHRINKABLE LIPPED BOOT TO A CONNECTOR.
2. FOR ADDITIONAL DIMENSIONS, ORDERING INFORMATION AND MODIFICATIONS, SEE CH00-0250-004.
3. ADAPTER TO BE PERMANENTLY MARKED WITH CODE IDENT. NO. AND PART NO. (E.G.: 06090-225M012-19A04).
- ④ BRAID TERMINATION RING MAY BE SUPPLIED AS TINEL-LOCK SHAPE MEMORY RING AT MANUFACTURER'S OPTION.
- ⑤ ADAPTER MATES TO BS9522 F0032 (PATT 121B) CONNECTORS; ONLY MANUFACTURED BY AB CONNECTORS LTD. SEALING IS ONLY ACHIEVED WHEN USING GROMMETS ABB-*-*-*-GAC-***, SUPPLIED BY AB CONNECTORS.
- ⑥ FOR LARGER ENTRY SIZES, A 2 PIECE ADAPTER (TYPE II) IS SUPPLIED.

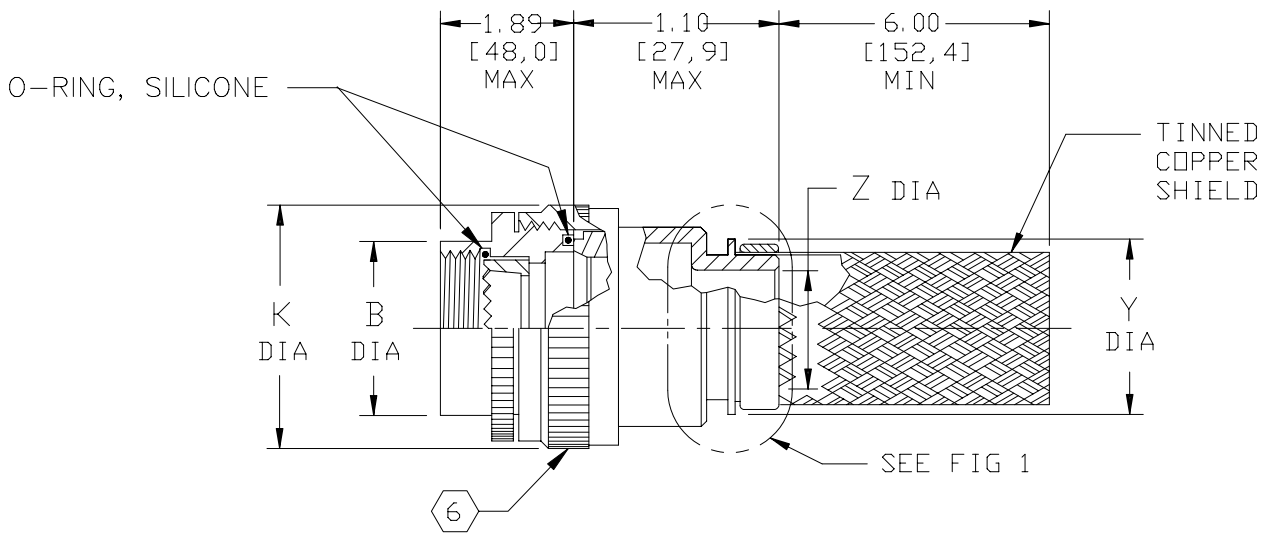
If this document is printed it becomes uncontrolled.
Check for the latest revision.

SPECIFICATION CONTROL DRAWING

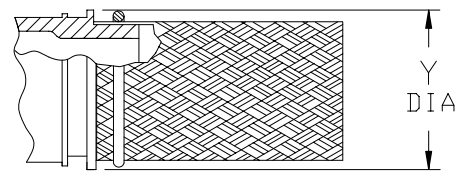
UNLESS OTHERWISE SPECIFIED DIMENSIONS ARE IN INCHES. METRIC DIMENSIONS ARE IN BRACKETS. DECIMALS .XXX ± — [mm] .XX ± — [mm] .X ± — [mm] ANGLES .X ± —	DRAWN G. ROSITANO	DATE 06-23-94		Tyco Electronics Corporation 300 Constitution Drive Menlo Park, CA. 94025 U.S.A.		
	CHECKED	DATE				
	APPROVED	DATE	TITLE ADAPTER, SHIELD, STRAIGHT CODE 78			
	APPROVED	DATE	CAD NAME \ADAPTERS\225M0XX			
THIRD ANGLE PROJECTION 	SIZE A	CODE IDENT. NO. 06090	DWG. NO. 225M0XX	REV B	DO NOT SCALE THIS DWG	
			SHEET 1 OF 3			



STRAIGHT ADAPTER-TYPE I



STRAIGHT ADAPTER-TYPE II



TINEL-LOCK TERMINATION

FIG 1 (4)

If this document is printed it becomes uncontrolled.
Check for the latest revision.

SIZE	CODE IDENT. NO.	DWG. NO.	REV
A	06090	225M0XX	B
DO NOT SCALE THIS DWG			CAD NAME ADAPTERS\225M0X-2 SHEET 2 OF 3

TABLE I					
BASE PART NO.	SHELL SIZE ⑤	MAX ENTRY SIZE TYPE I ⑥	A R.H. THREAD CLASS 2B	B MAX O. D.	C MAX
225M012	10SL, 12S	05	.625-24 UNEF	.910 [23,1]	1.122 [28,5]
225M014	14S	07	.750-20 UNEF	1.040 [26,4]	1.122 [28,5]
225M016	16, 16S	08	.875-20 UNEF	1.221 [31,0]	1.398 [35,5]
225M018	18	09	1.000-20 UNEF	1.351 [34,3]	1.398 [35,5]
225M020	20	11	1.125-18 UNEF	1.469 [37,3]	1.398 [35,5]
225M022	22	14	1.250-18 UNEF	1.599 [40,6]	1.398 [35,5]
225M024	24	16	1.375-18 UNEF	1.729 [43,9]	1.398 [35,5]
225M028	28	18	1.625-18 UNEF	1.969 [50,01]	1.398 [35,5]
225M032	32	22	1.875-16 UN	2.221 [56,4]	1.398 [35,5]
225M036	36	24	2.062-16 UNS	2.453 [62,3]	1.398 [35,5]

TABLE II			
ENTRY SIZE	K DIA MAX	Z ±.020 [±0.51]	Y DIA MIN
03	—	.187 [4,75]	.393 [9,98]
04	—	.250 [6,35]	.456 [11,58]
05	—	.312 [7,92]	.515 [13,08]
06	.800 [20,3]	.375 [9,53]	.581 [14,76]
07	.922 [23,4]	.438 [11,13]	.643 [16,33]
08	.922 [23,4]	.500 [12,70]	.705 [17,91]
09	1.182 [30,0]	.562 [14,27]	.705 [17,91]
10	1.182 [30,0]	.625 [15,88]	.831 [21,11]
11	1.182 [30,0]	.688 [17,48]	.893 [22,68]
12	1.351 [34,3]	.750 [19,05]	.953 [24,21]
13	1.410 [35,8]	.812 [20,62]	.953 [24,21]
14	1.410 [35,8]	.875 [22,23]	1.081 [27,46]
15	1.599 [40,6]	.938 [23,83]	1.143 [29,03]
16	1.599 [40,6]	1.000 [25,40]	1.205 [30,61]
18	1.662 [42,2]	1.125 [28,58]	1.378 [35,0]
20	2.040 [51,8]	1.250 [31,75]	1.506 [38,25]
22	2.229 [56,6]	1.375 [34,93]	1.631 [41,43]
24	2.229 [56,6]	1.500 [38,10]	1.756 [44,60]
28	2.481 [63,0]	1.750 [44,45]	2.004 [50,90]

If this document is printed it becomes uncontrolled.
Check for the latest revision.

SIZE A	CODE IDENT. NO. 06090	DWG. NO. 225M0XX	REV B
DO NOT SCALE THIS DWG		CAD NAME ADAPTERS\225M0X-3	SHEET 3 OF 3