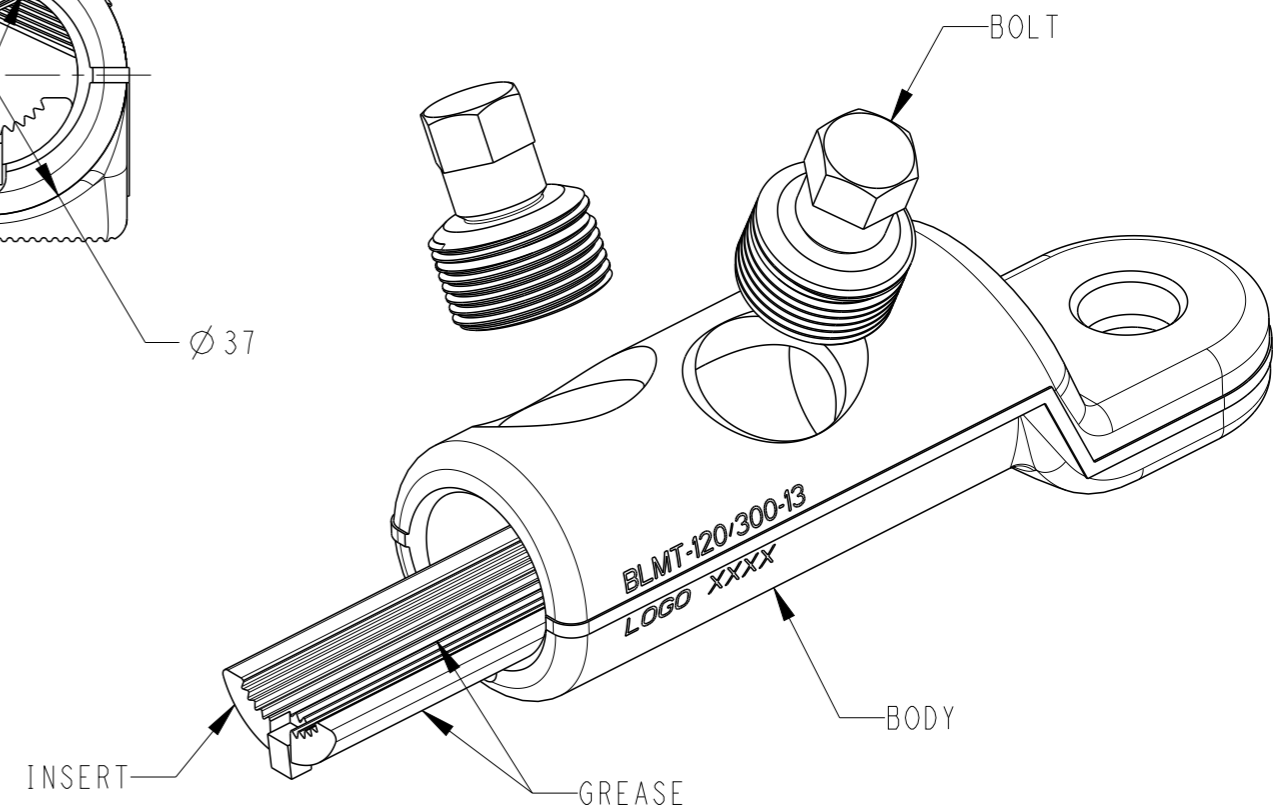
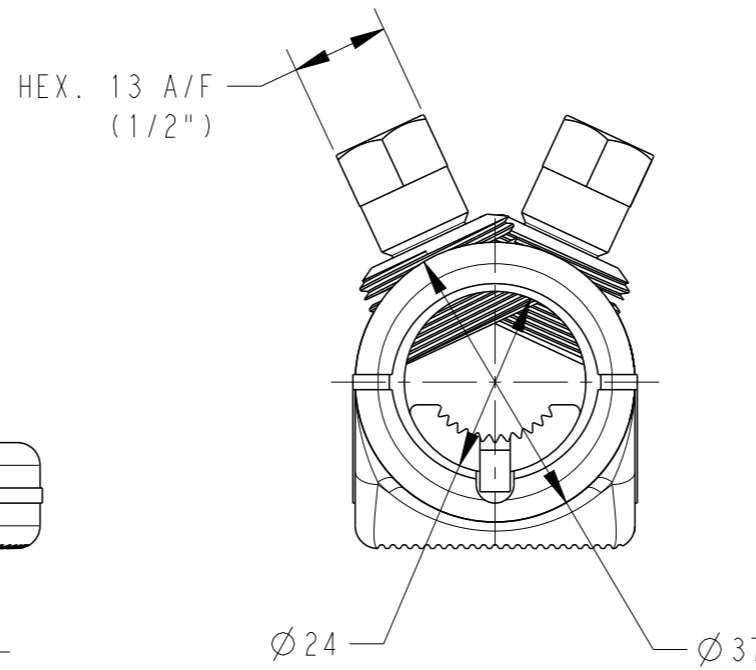
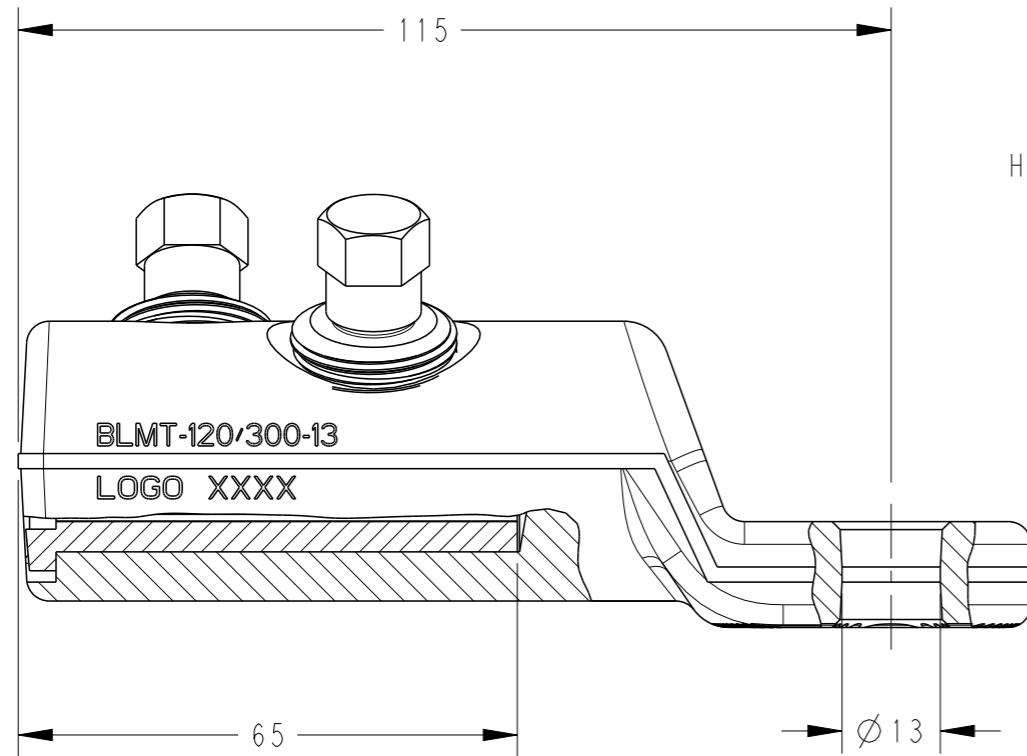



| P | LTR | DESCRIPTION | DATE | DWN | APVD |
|---|-----|-----------------|-----------|-----|------|
| | A | INITIAL RELEASE | 22DEC2020 | RS | NA |
| | | | | | |
| | | | | | |



| TCPN | DESCRIPTION | CROSS SECTION (mm ²) |
|-----------|--------------------|----------------------------------|
| 2259216-1 | BLMT-120/300-13-CN | 120-300 |

| | | |
|--|-----------|---------------------------|
| THIS DRAWING IS A CONTROLLED DOCUMENT. | | DWN RAVI.S 22DEC2020 |
| DIMENSIONS: mm | | CHK L. JONATHAN 22DEC2020 |
| TOLERANCES UNLESS OTHERWISE SPECIFIED: | | APVD N. ALMEIDA 22DEC2020 |
| 0 PLC ±- | 1 PLC ±- | PRODUCT SPEC - |
| 2 PLC ±- | 3 PLC ±- | APPLICATION SPEC - |
| 4 PLC ±- | ANGLES ±- | WEIGHT 270 g |
| MATERIAL - | FINISH - | CUSTOMER DRAWING |

| | | | |
|---|--|-------------------------|-----------------|
|  TE Connectivity | | NAME BLMT-120/300-13-CN | |
| | | SIZE A3 | CAGE CODE 00779 |
| DRAWING NO C-2259216 | | RESTRICTED TO - | |
| SCALE NTS | | SHEET 1 OF 1 | REV A |