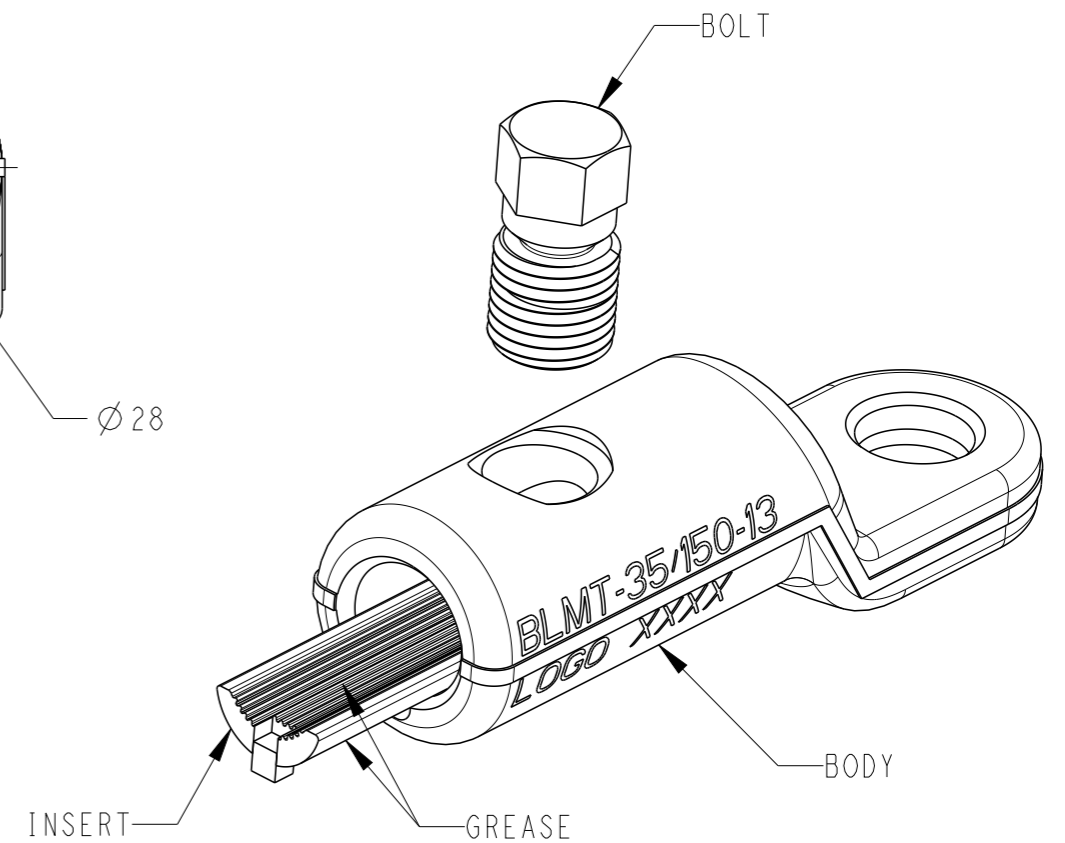
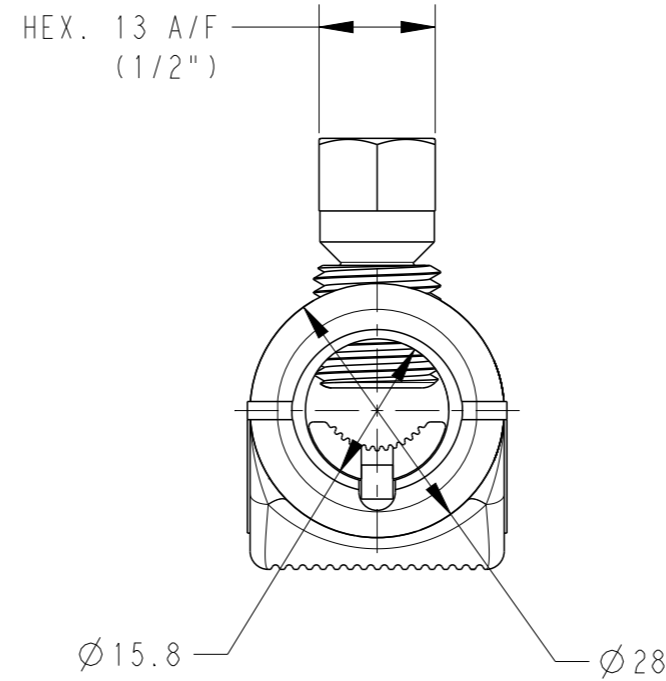
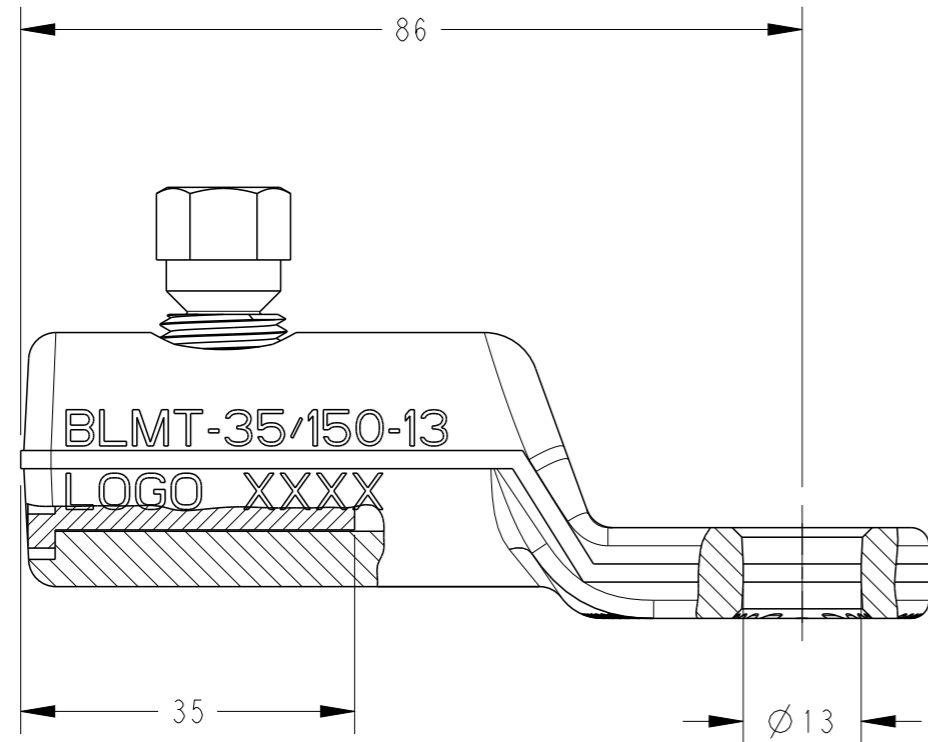


P	LTR	DESCRIPTION	DATE	DWN	APVD
	A	INITIAL RELEASE	22DEC2020	RS	NA



TCPN	DESCRIPTION	CROSS SECTION (mm ²)
2259204-1	BLMT-35/150-13-CN	35-150

THIS DRAWING IS A CONTROLLED DOCUMENT.		DWN RAVI.S 22DEC2020
DIMENSIONS: mm		CHK L. JONATHAN 22DEC2020
TOLERANCES UNLESS OTHERWISE SPECIFIED:		APVD N. ALMEIDA 22DEC2020
0 PLC	±-	PRODUCT SPEC
1 PLC	±-	-
2 PLC	±-	APPLICATION SPEC
3 PLC	±-	-
4 PLC	±-	WEIGHT 112 g
ANGLES	±-	CUSTOMER DRAWING
MATERIAL	FINISH	SCALE NTS
-	-	SHEET 1 OF 1

		NAME BLMT-35/150-13-CN	
		SIZE A3	CAGE CODE 00779
DRAWING NO C-2259204		RESTRICTED TO -	
REV A		REV A	