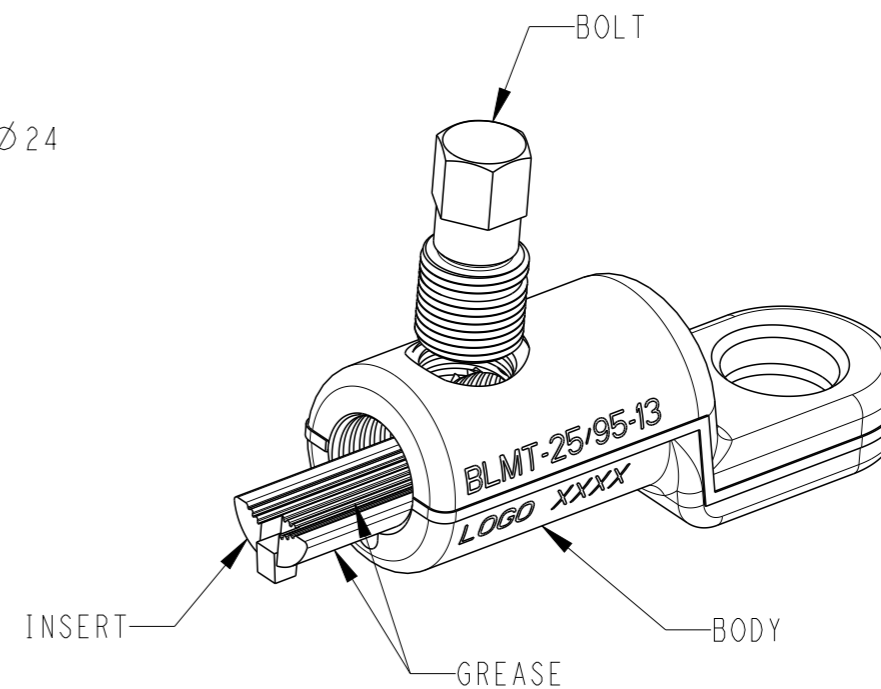
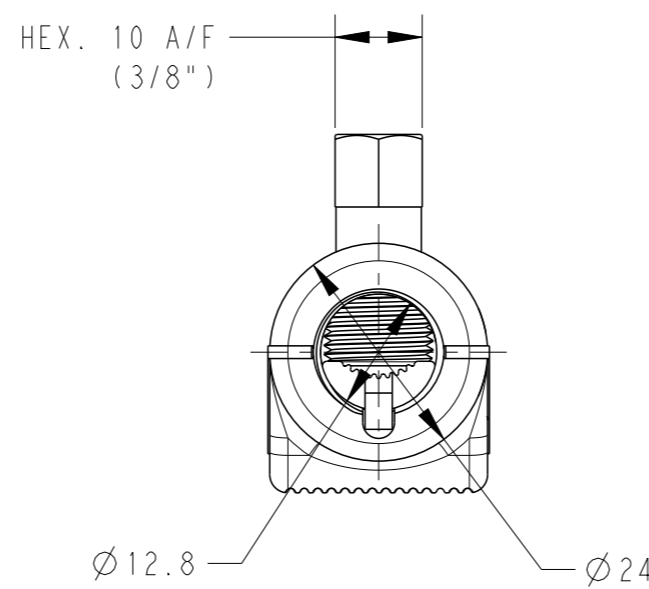
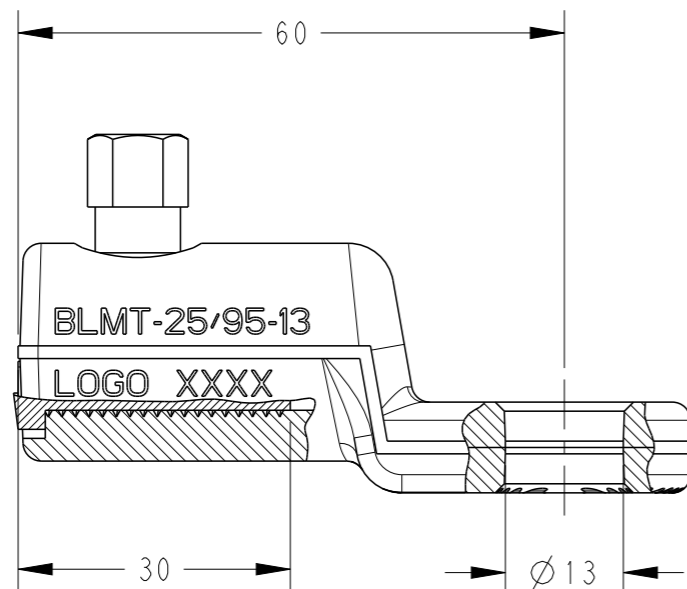



© 2020 TE Connectivity. All Rights Reserved.

REVISIONS

P	LTR	DESCRIPTION	DATE	DWN	APVD
	A	INITIAL RELEASE	22DEC2020	RS	NA



TCPN	DESCRIPTION	CROSS SECTION (mm ²)
2259198-1	BLMT-25/95-13-CN	25-95

THIS DRAWING IS A CONTROLLED DOCUMENT.		DWN RAVI.S 22DEC2020	 TE Connectivity NAME BLMT-25/95-13/17-CN
DIMENSIONS: mm		CHK L. JONATHAN 22DEC2020	
TOLERANCES UNLESS OTHERWISE SPECIFIED:		APVD N. ALMEIDA 22DEC2020	
0 PLC ±- 1 PLC ±- 2 PLC ±- 3 PLC ±- 4 PLC ±- ANGLES ±-		PRODUCT SPEC -	
MATERIAL -		FINISH -	APPLICATION SPEC -
		WEIGHT 56 g	SIZE A3
		CUSTOMER DRAWING	CAGE CODE 00779
			DRAWING NO. C-2259198
			RESTRICTED TO -
			SCALE NTS
			SHEET 1 OF 1
			REV A