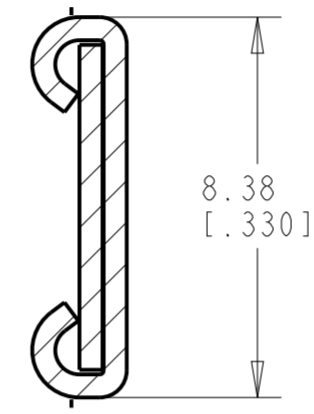
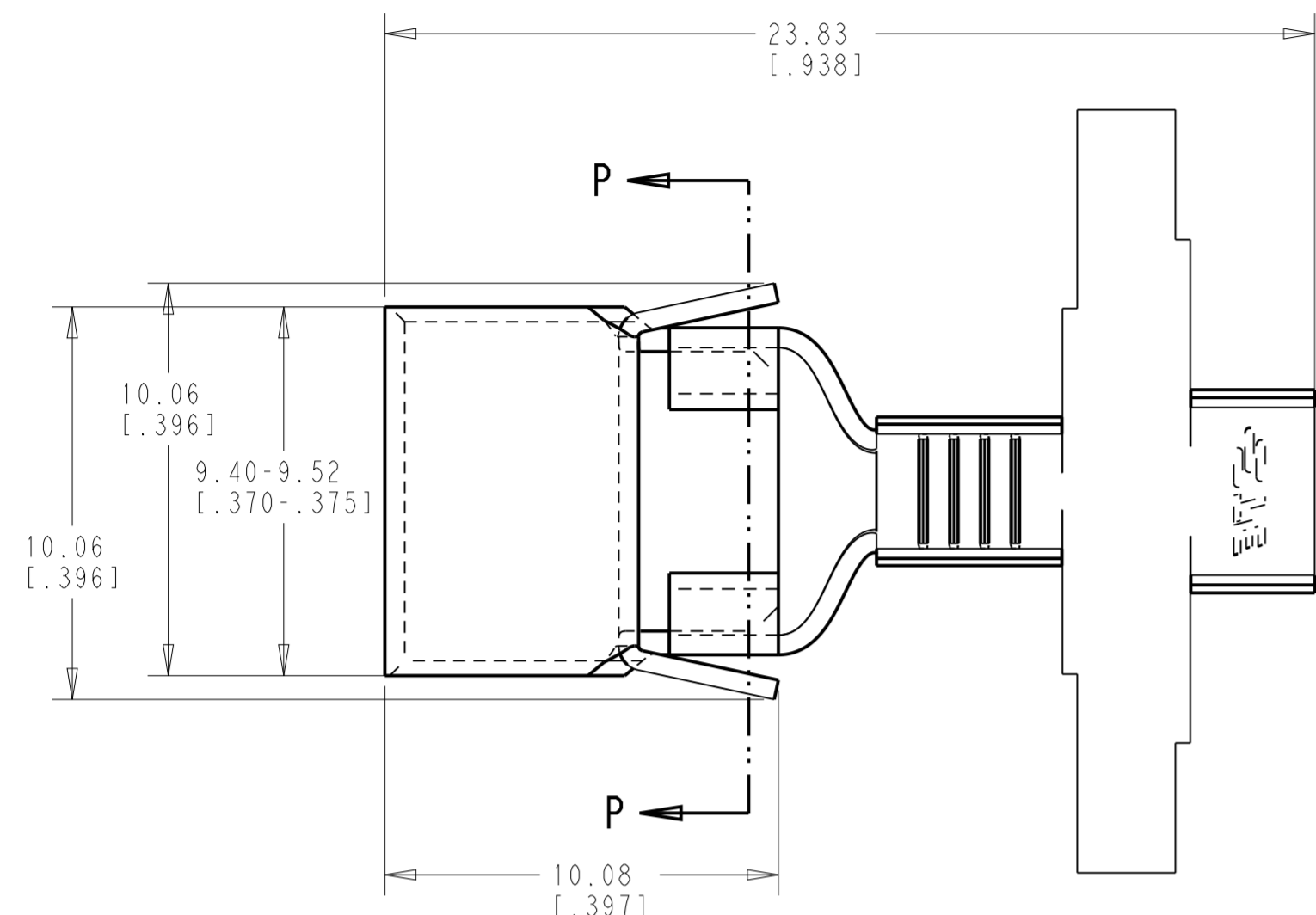
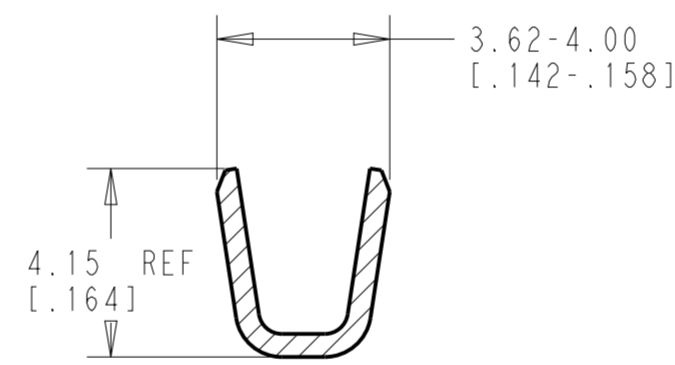
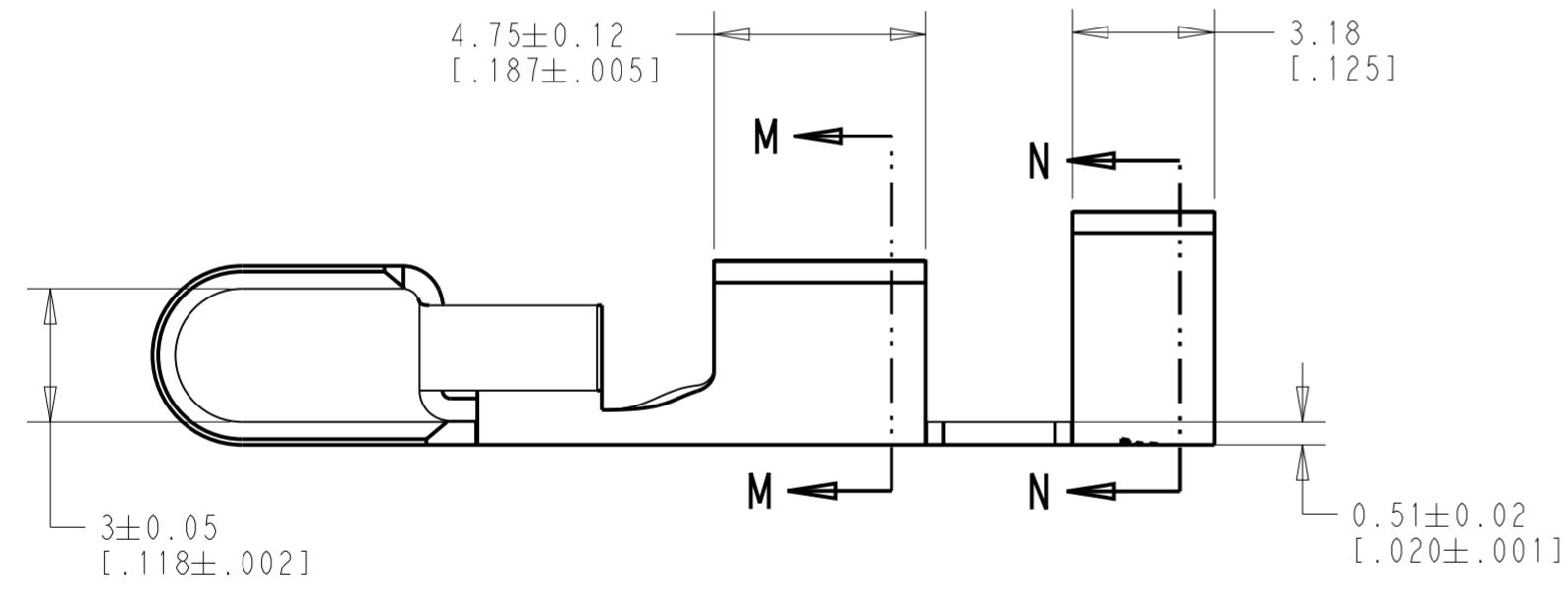


P	LTR	DESCRIPTION	DATE	DWN	APVD
A		RELEASED PER ECN-21-106231	15JUN2021	BKW	KR

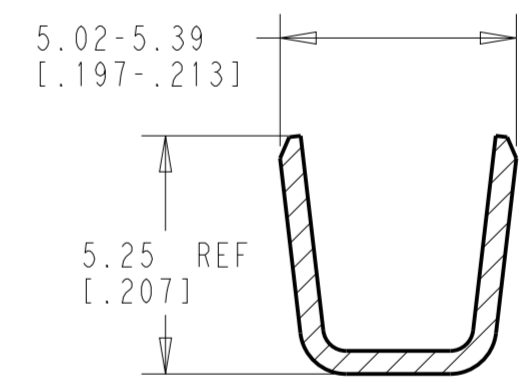


SECTION P-P

1. PRODUCT PROVIDED ON 19.56 [0.770] CENTERS, IN STRIP FORM ON REELS. BREAKS MAY BE PRESENT.
2. WIRE RANGE: 0.80-2.00mm² [18-14 AWG] STRANDED WIRE
3. INSULATION RANGE: 2.57-3.67mm [0.101-.144 IN] DIAMETER



SECTION M-M



SECTION N-N

TIN	COPPER ALLOY	2238287-1
FINISH	MATERIAL	PART NUMBER

THIS DRAWING IS A CONTROLLED DOCUMENT.		DWN B. WEAVER 09NOV2020	TE Connectivity	
DIMENSIONS: mm [IN]		CHK K. RANDOLPH 09NOV2020		
TOLERANCES UNLESS OTHERWISE SPECIFIED:		APVD T. DING 09NOV2020	NAME RECEPTACLE, CLUSTER PIN, .125 DIAMETER	
0 PLC ±		PRODUCT SPEC	SIZE	
1 PLC ±		108-2388	CAGE CODE	
2 PLC ±0.25 [0.010]		APPLICATION SPEC	DRAWING NO	
3 PLC ±		114-13244	RESTRICTED TO	
4 PLC ±		WEIGHT	A2 00779 C-2238287	
ANGLES ±1°		CUSTOMER DRAWING	SCALE 6:1 SHEET 1 OF 1 REV A	
FINISH				
MATERIAL SEE TABLE				