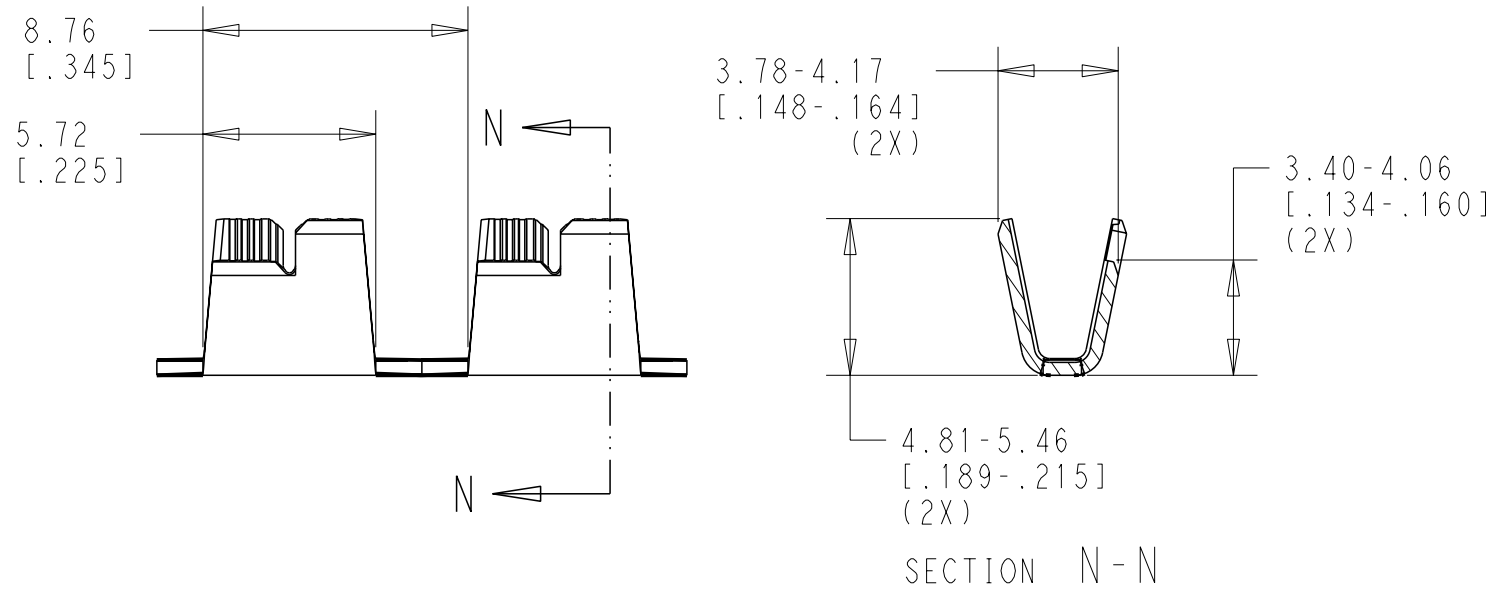
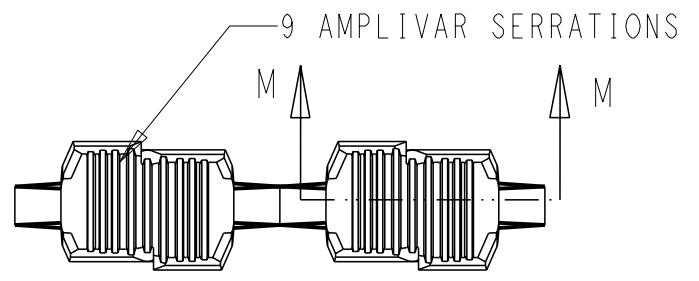


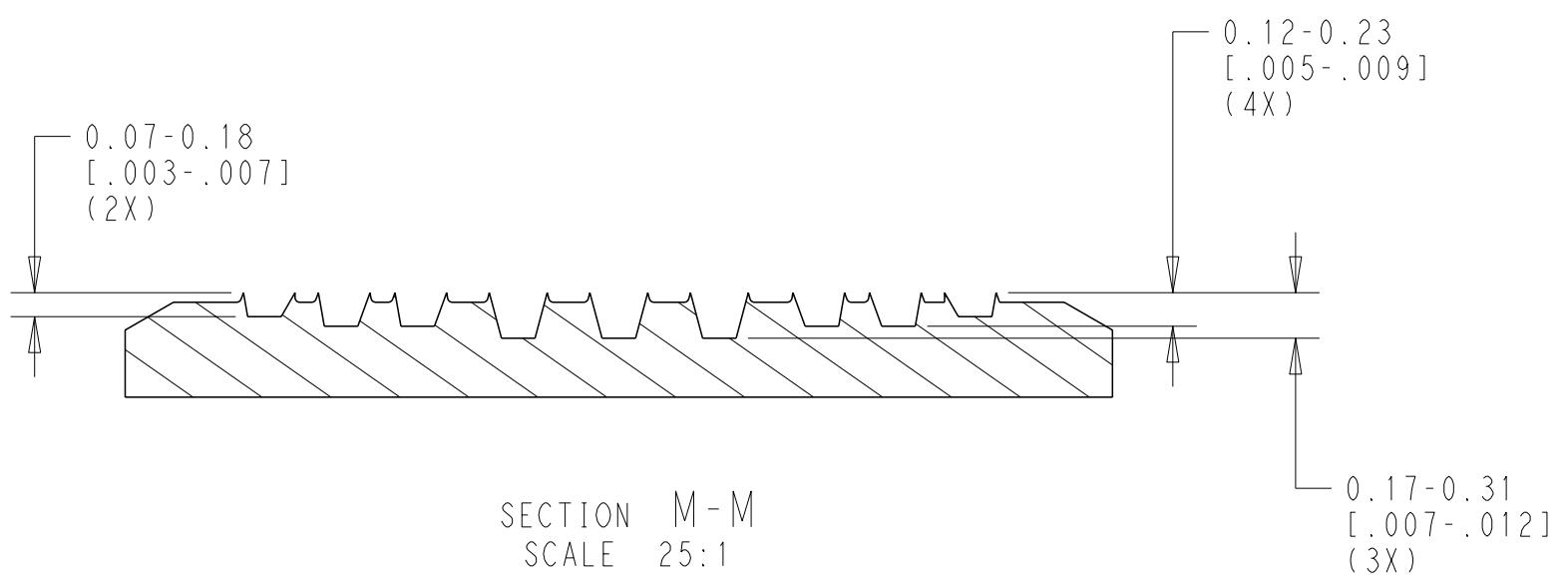
REVISIONS

P	LTR	DESCRIPTION	DATE	DWN	APVD
A		REVISED PER ECN-20-100801	10DEC2020	BDA	KR
B		REVISED PER ECR-23-183755	16AUG2023	PS	KR



1. PRODUCT PROVIDED IN STRIP FORM ON REELS; BREAKS MAY BE PRESENT.
2. DIMENSIONS IN BRACKETS ARE IN INCHES.
3. CRIMP WIDTH ($\pm 0.13\text{mm}$ [± 0.005 IN]): 3.30mm [.130 IN] (2D CRIMP FORM)
 CRIMP HEIGHT ($\pm 0.05\text{mm}$ [± 0.002 IN]): (TOTAL CMA + 10,350) / 210,000

 GENERAL APPLICATION GUIDELINES MUST BE FOLLOWED AS SPECIFIED IN CATALOG #TBD. FOR APPLICATOR INFORMATION CALL: 1-800-722-1111
 FOR PRODUCT INFORMATION CALL: 1-800-522-6752
4. WIRE RANGE: 1500 - 7000 CMA
 COPPER MAGNET WIRE AND LEAD WIRE ONLY.
 ALUMINUM MAGNET WIRE TERMINATIONS NOT ALLOWED.



SECTION M-M
SCALE 25:1

SECTION N-N

2238235-1
PART NUMBER

THIS DRAWING IS A CONTROLLED DOCUMENT.		DWN B. WEAVER 27AUG2019														
DIMENSIONS: mm [IN]		CHK K. RANDOLPH 27AUG2019														
TOLERANCES UNLESS OTHERWISE SPECIFIED:		APVD S. KUMAR 27AUG2019	NAME SPLICE, THRU, AMPLIVER 9 SERRATIONS, 2D													
<table border="0"> <tr><td>0 PLC</td><td>±</td></tr> <tr><td>1 PLC</td><td>±</td></tr> <tr><td>2 PLC</td><td>±0.38 [.015]</td></tr> <tr><td>3 PLC</td><td>±</td></tr> <tr><td>4 PLC</td><td>±</td></tr> <tr><td>ANGLES</td><td>±1°</td></tr> </table>		0 PLC	±	1 PLC	±	2 PLC	±0.38 [.015]	3 PLC	±	4 PLC	±	ANGLES	±1°	PRODUCT SPEC 108-143147	RESTRICTED TO	
0 PLC	±															
1 PLC	±															
2 PLC	±0.38 [.015]															
3 PLC	±															
4 PLC	±															
ANGLES	±1°															
MATERIAL 0.51±0.03 [.020±.001]BRASS		APPLICATION SPEC 114-143147	SIZE A3	CAGE CODE 00779	DRAWING NO C-2238235											
FINISH TIN PLATE		WEIGHT -	SCALE 4:1													
CUSTOMER DRAWING		SHEET 1 OF 1		REV B												

printed on 16 Aug 2023 16:19 (India Standard Time) from TE192166