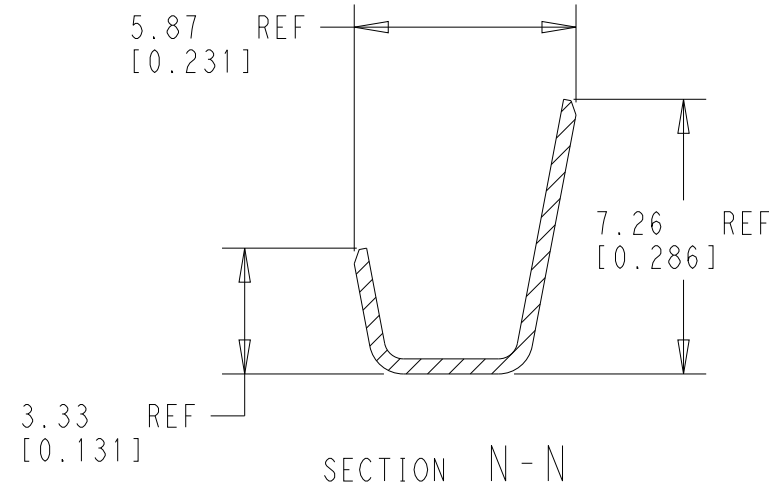
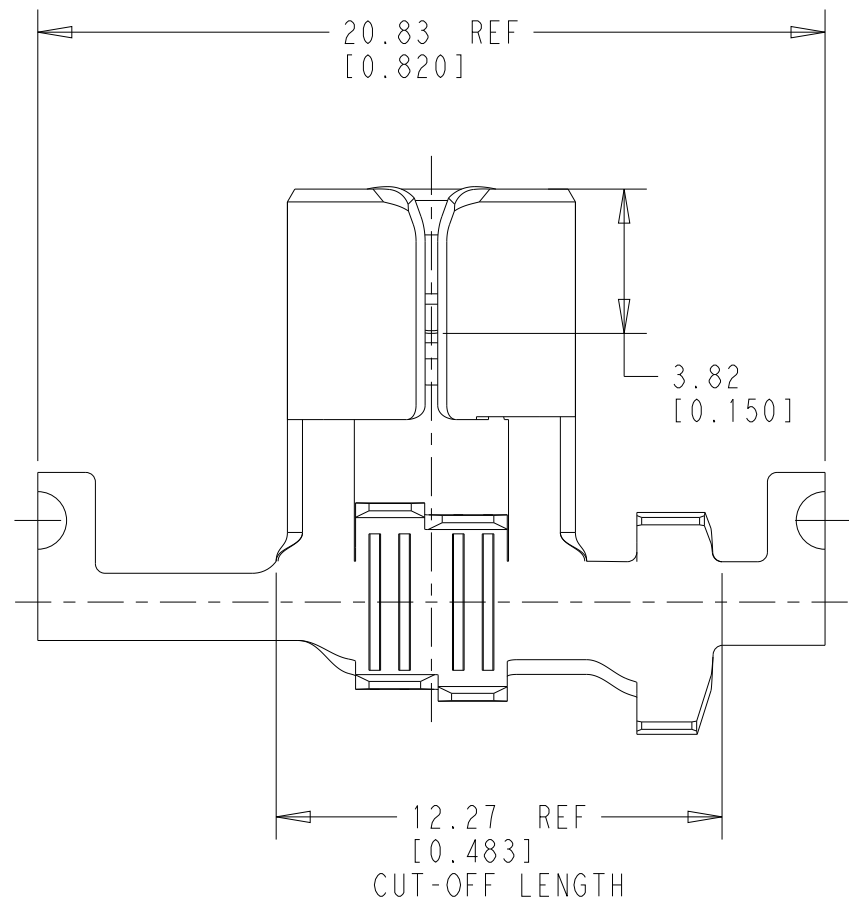
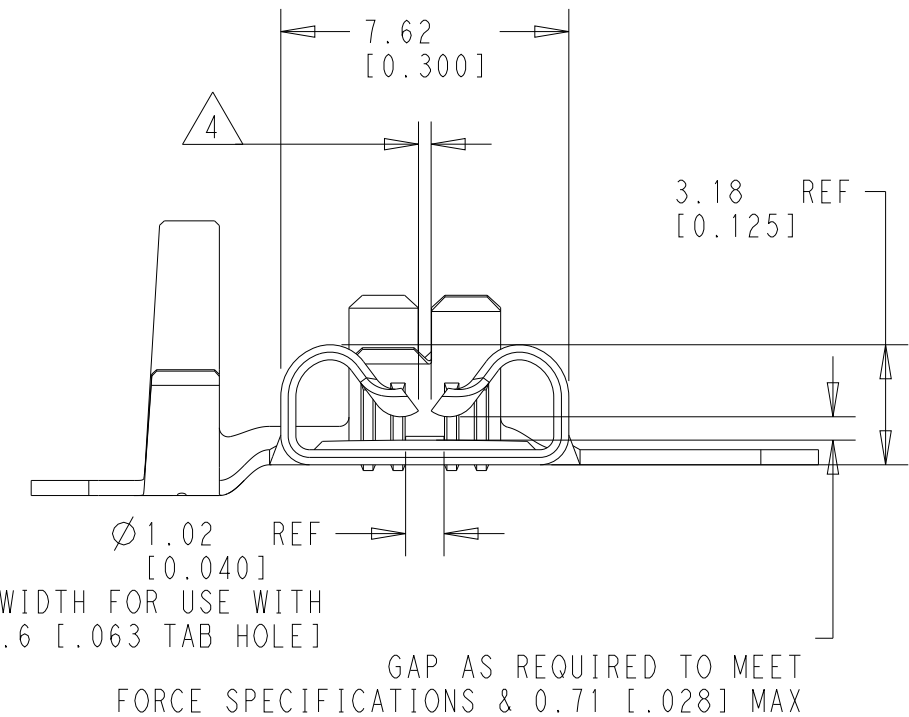
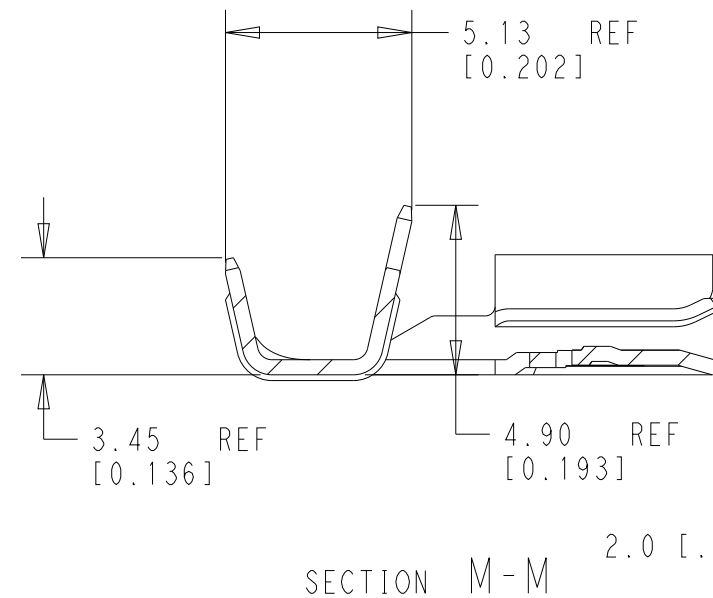
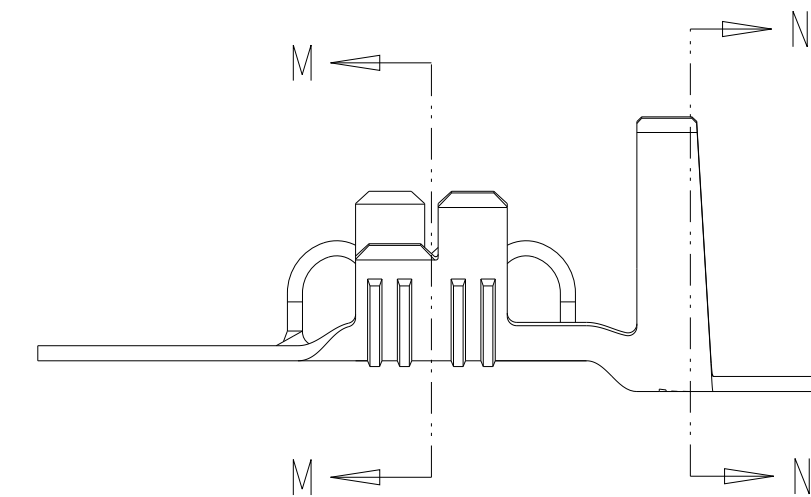


P	LTR	DESCRIPTION	DATE	DWN	APVD
	B	REVISED PER ECR-21-111880 (REDRAWN)	30AUG2021	BKW	DH
	B1	REVISED PER ECN-24-261241	16APR2024	BKW	DH



1. CONTINUOUS STRIP ON REELS
2. WIRE RANGE: 22-12 AWG
INSULATION RANGE: .074-.170
3. MATING TAB THICKNESS IS 0.81 ± 0.025 [$0.032 \pm .001$]
- 4 CONTACT ROLLS TO NOT TOUCH ONE ANOTHER



PRE-TIN	BRASS	2238171-3
FINISH	MATERIAL	PART NUMBER

THIS DRAWING IS A CONTROLLED DOCUMENT.		DWN B. WEAVER 30AUG2021	TE Connectivity NAME FASTON .250 STD, REC. R.H. FLAG 2D, 22-12 AWG TPBR				
DIMENSIONS: mm [IN]		CHK D. HUMPHREY 30AUG2021					
TOLERANCES UNLESS OTHERWISE SPECIFIED:		APVD W. MOYER 30AUG2021					
0 PLC ±- 1 PLC ±- 2 PLC ±0.25 [.010] 3 PLC ±- 4 PLC ±- ANGLES ±- FINISH ±-		PRODUCT SPEC -					
MATERIAL SEE TABLE		APPLICATION SPEC -	SIZE A3	CAGE CODE 00779	DRAWING NO C-2238171	RESTRICTED TO -	
		WEIGHT -	CUSTOMER DRAWING		SCALE 5:1	SHEET 1 OF 1	REV B1