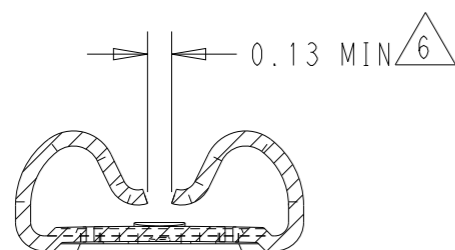
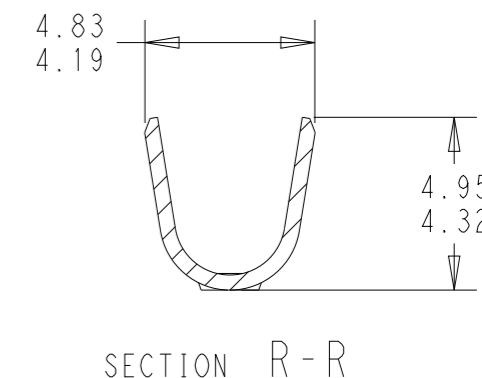
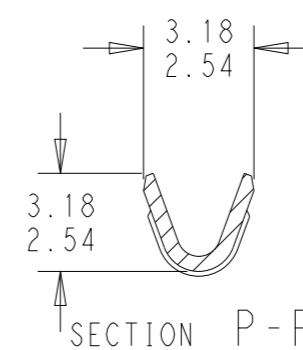
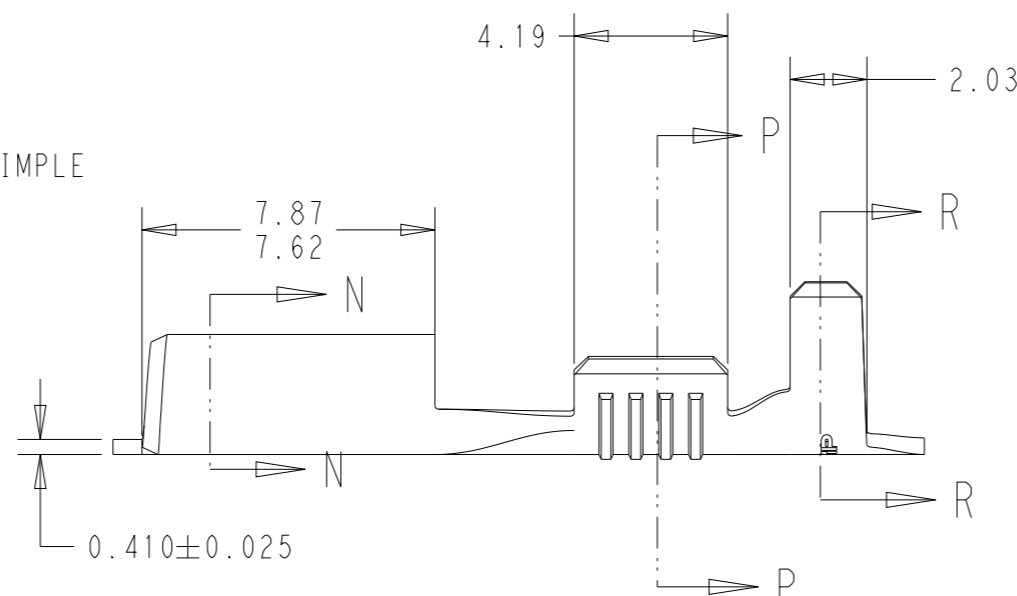
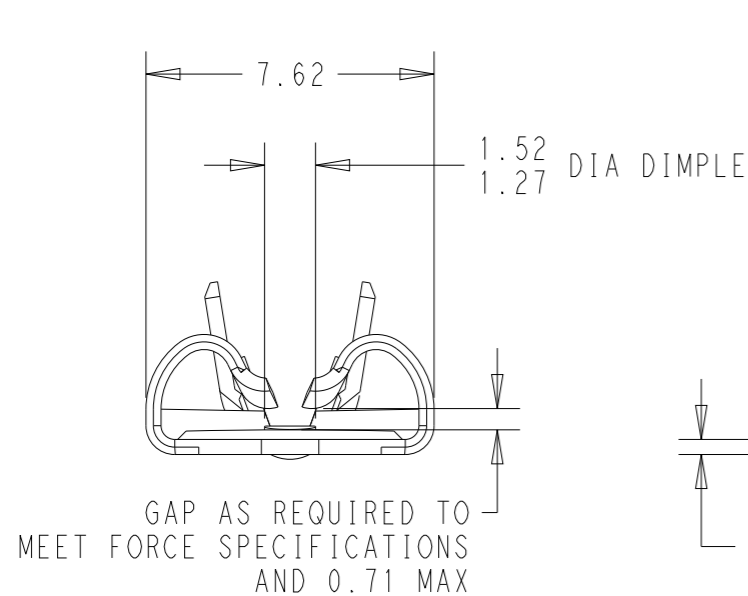
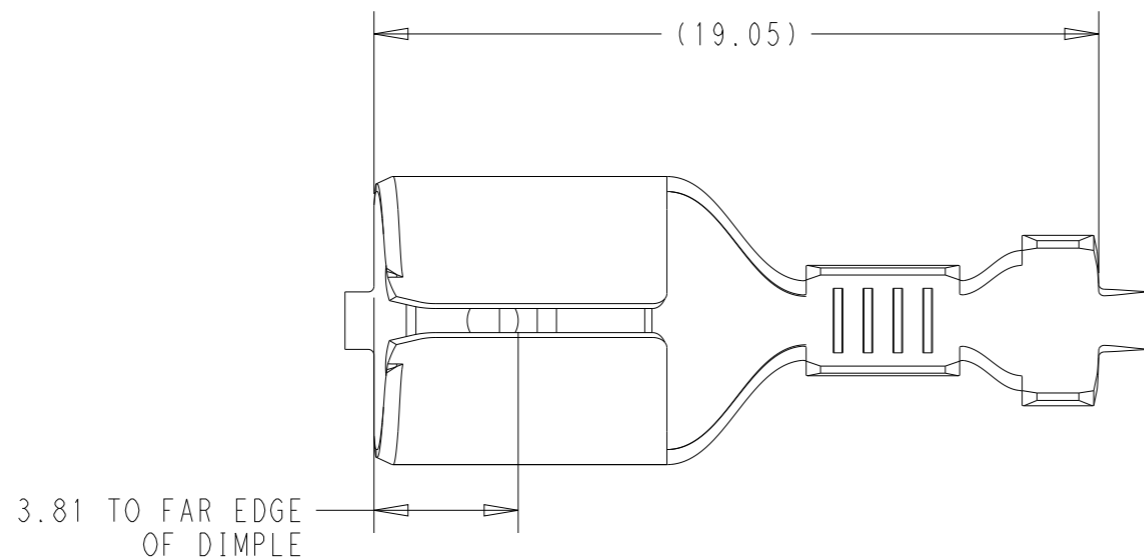


P	LTR	DESCRIPTION	DATE	DWN	APVD
	B2	REVISED PER ECN-23-235723	18OCT2023	BKW	DH

1. CONTINUOUS STRIP ON REELS
2. WIRE SIZE IS #22-#18 AWG
3. INSULATION RANGE IS 2.29-3.30
4. MATING TAB THICKNESS IS 0.76-0.84


5 PRODUCT HAS NOT YET COMPLETED QUALIFICATION OR UL AGENCY TESTING

6 MEASURED BEHIND "DOGBONE LEAD-IN" SPRINGS MAY NOT TOUCH



SECTION N-N

NICKEL	STEEL	5 2238143-1
FINISH	MATERIAL	PART NUMBER

THIS DRAWING IS A CONTROLLED DOCUMENT.		DWN B. WEAVER 23SEP2023	 TE Connectivity	
DIMENSIONS: mm		CHK D. HUMPHREY 23SEP2023		
TOLERANCES UNLESS OTHERWISE SPECIFIED:		APVD W. MOYER 23SEP2023	NAME FASTON, 250 STD REC STR F-CR, AWG 22-18	
0 PLC ±·		PRODUCT SPEC 108-5178	SIZE A3	
1 PLC ±·		APPLICATION SPEC 114-2036	CAGE CODE 00779	DRAWING NO C-1742198
2 PLC ±0.25		WEIGHT -	RESTRICTED TO -	
3 PLC ±·		CUSTOMER DRAWING	SCALE 5:1	SHEET 1 OF 1
4 PLC ±·				REV B2
ANGLES ±5°				
FINISH SEE TABLE				