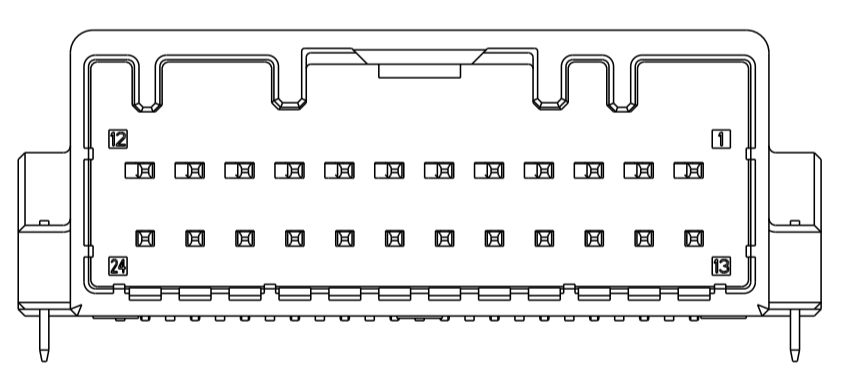
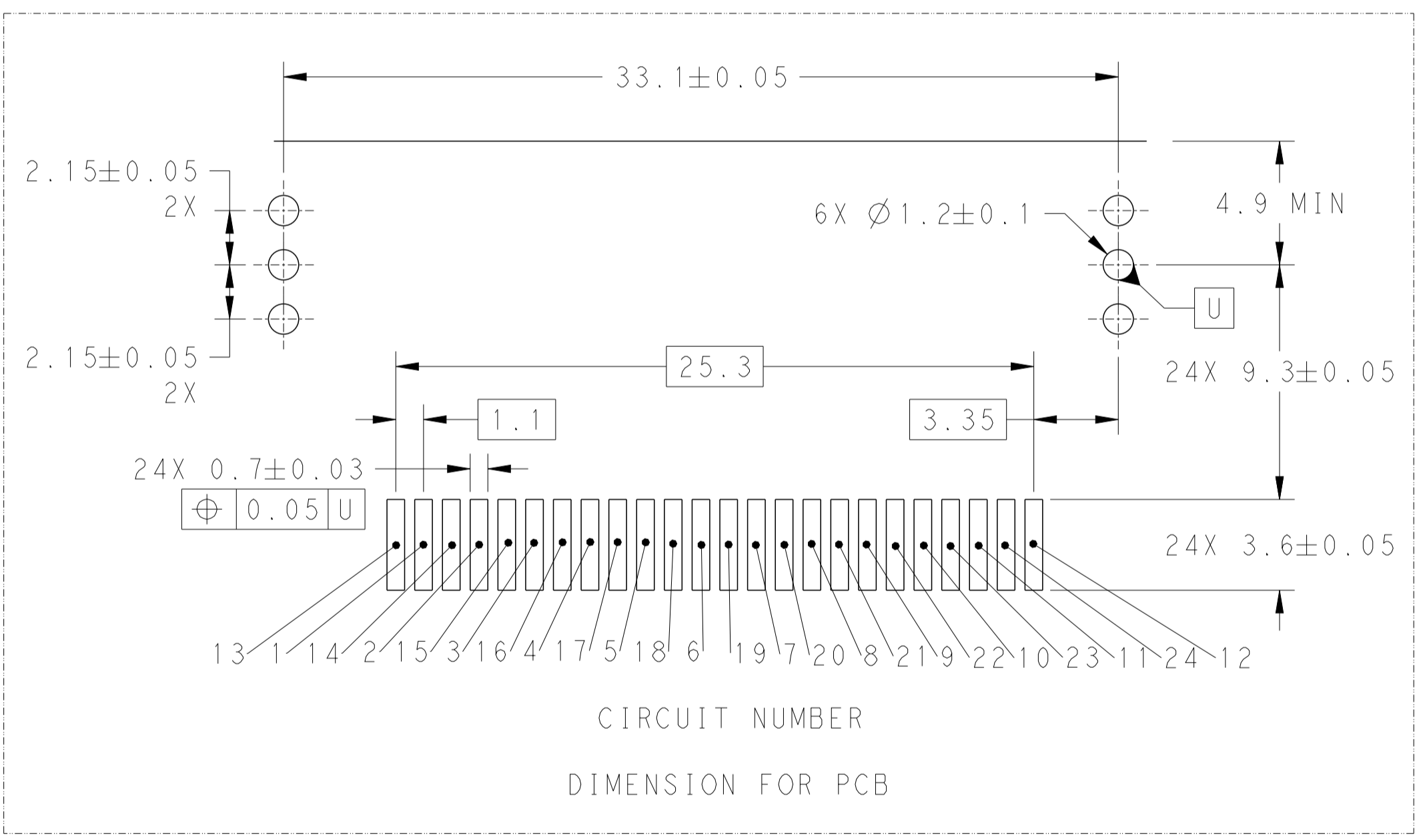
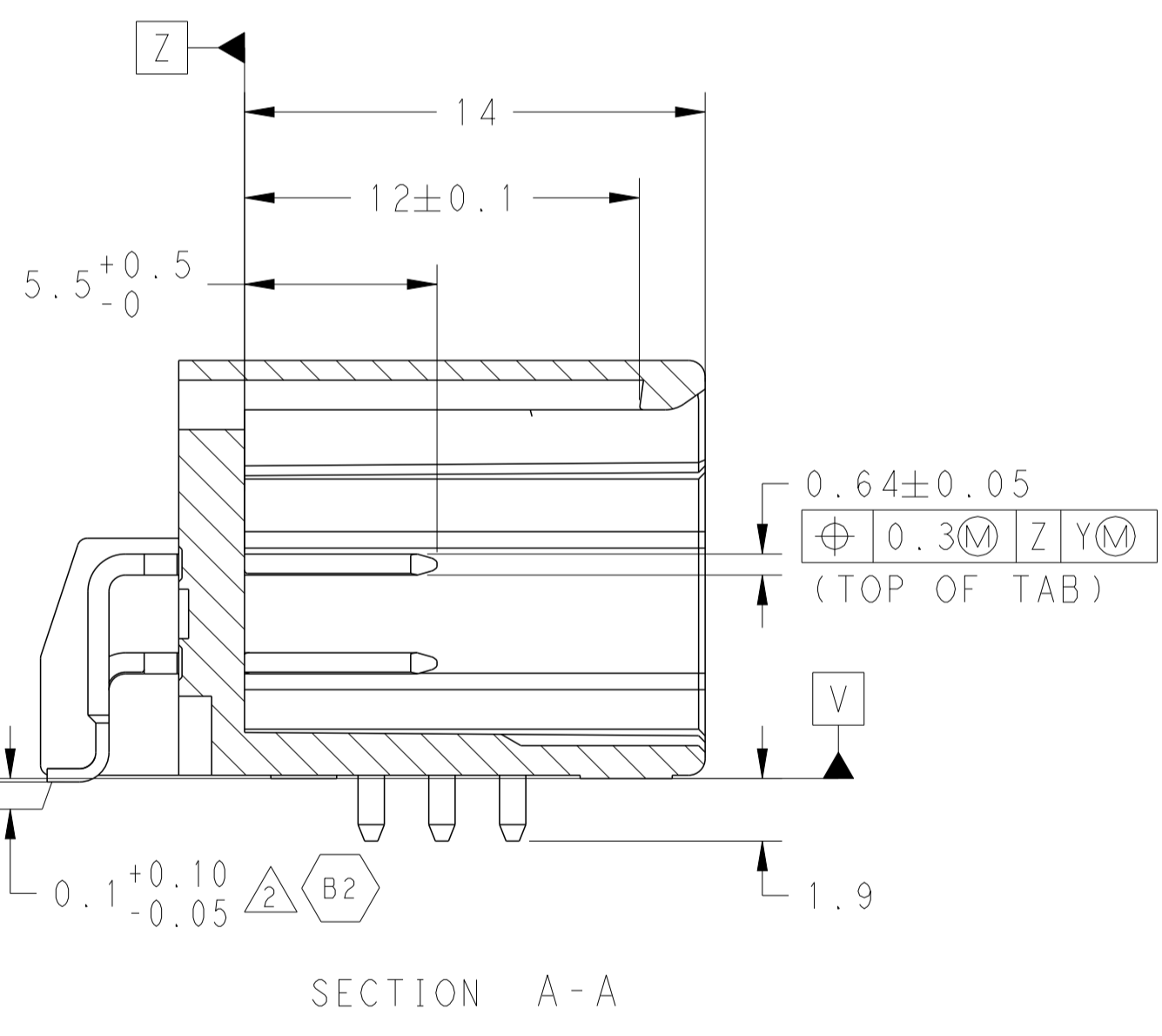
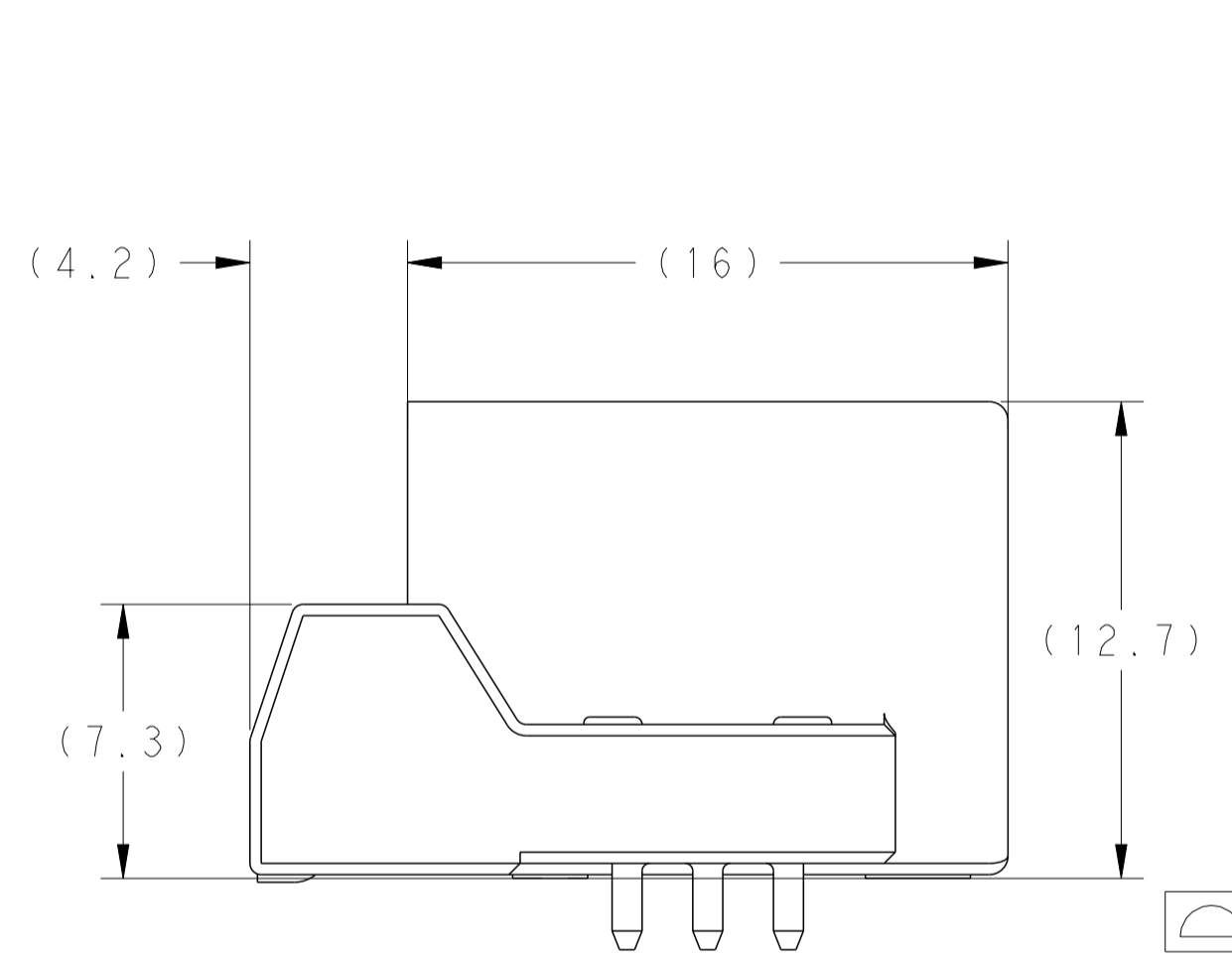
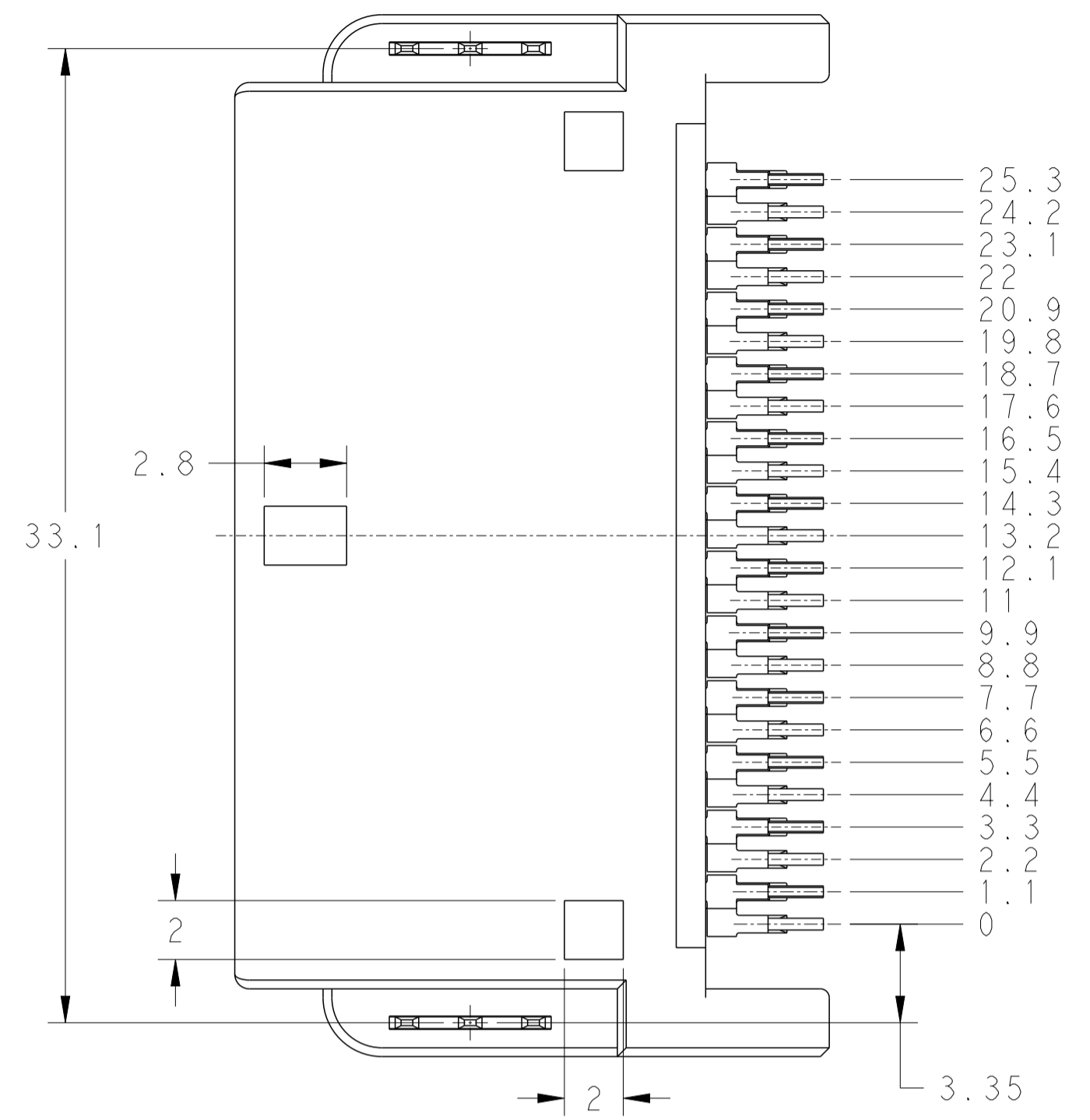
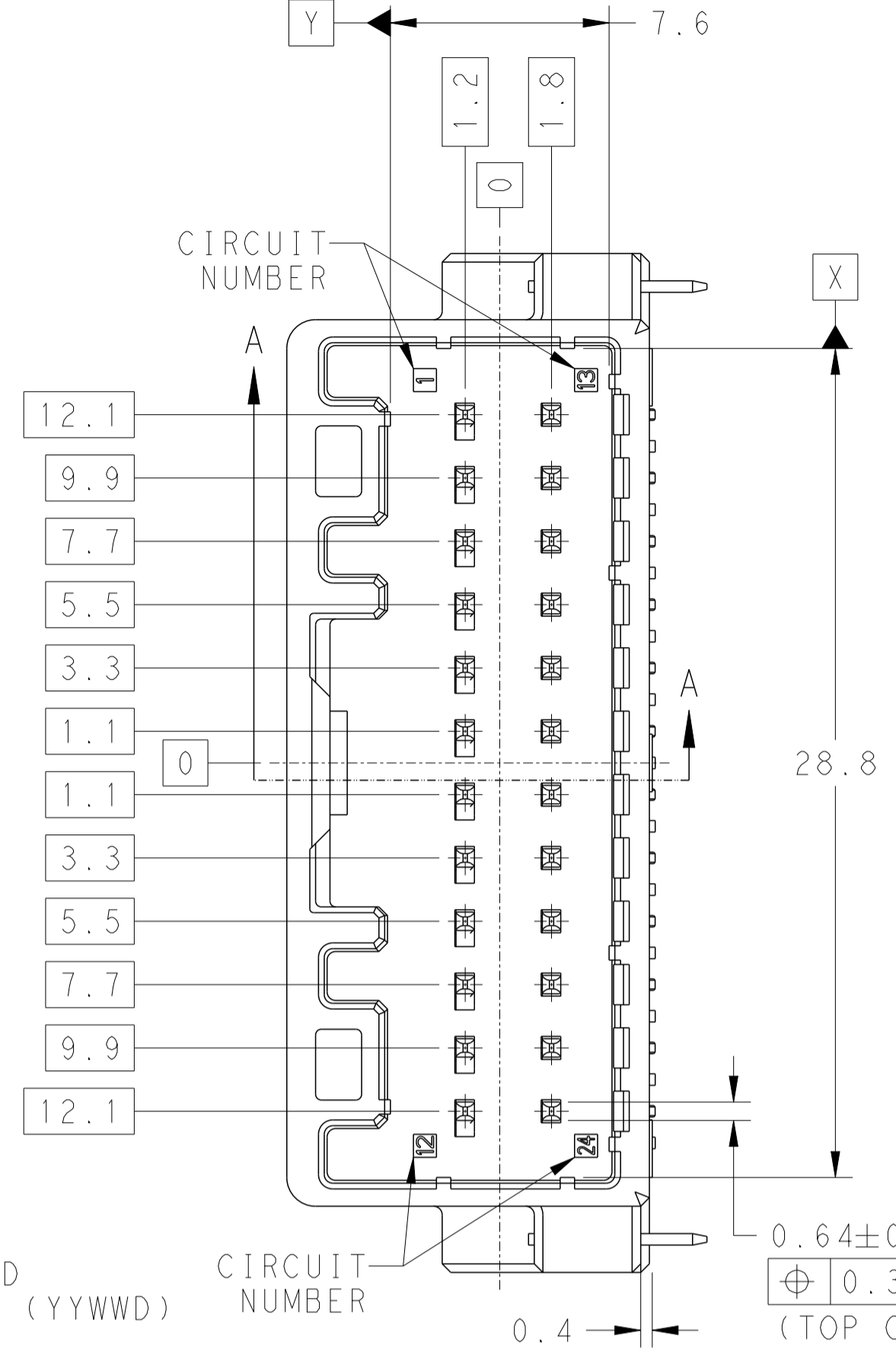
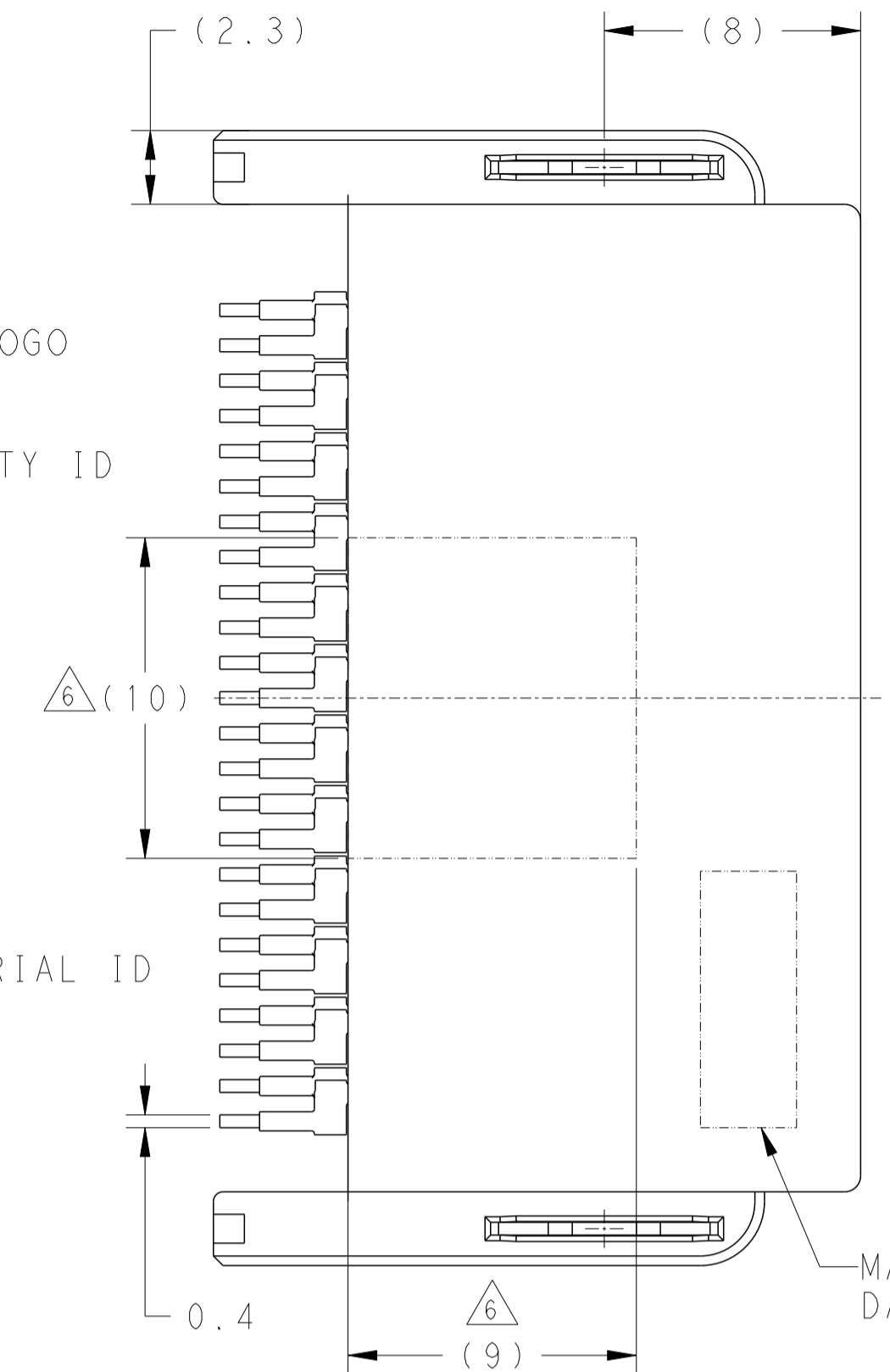
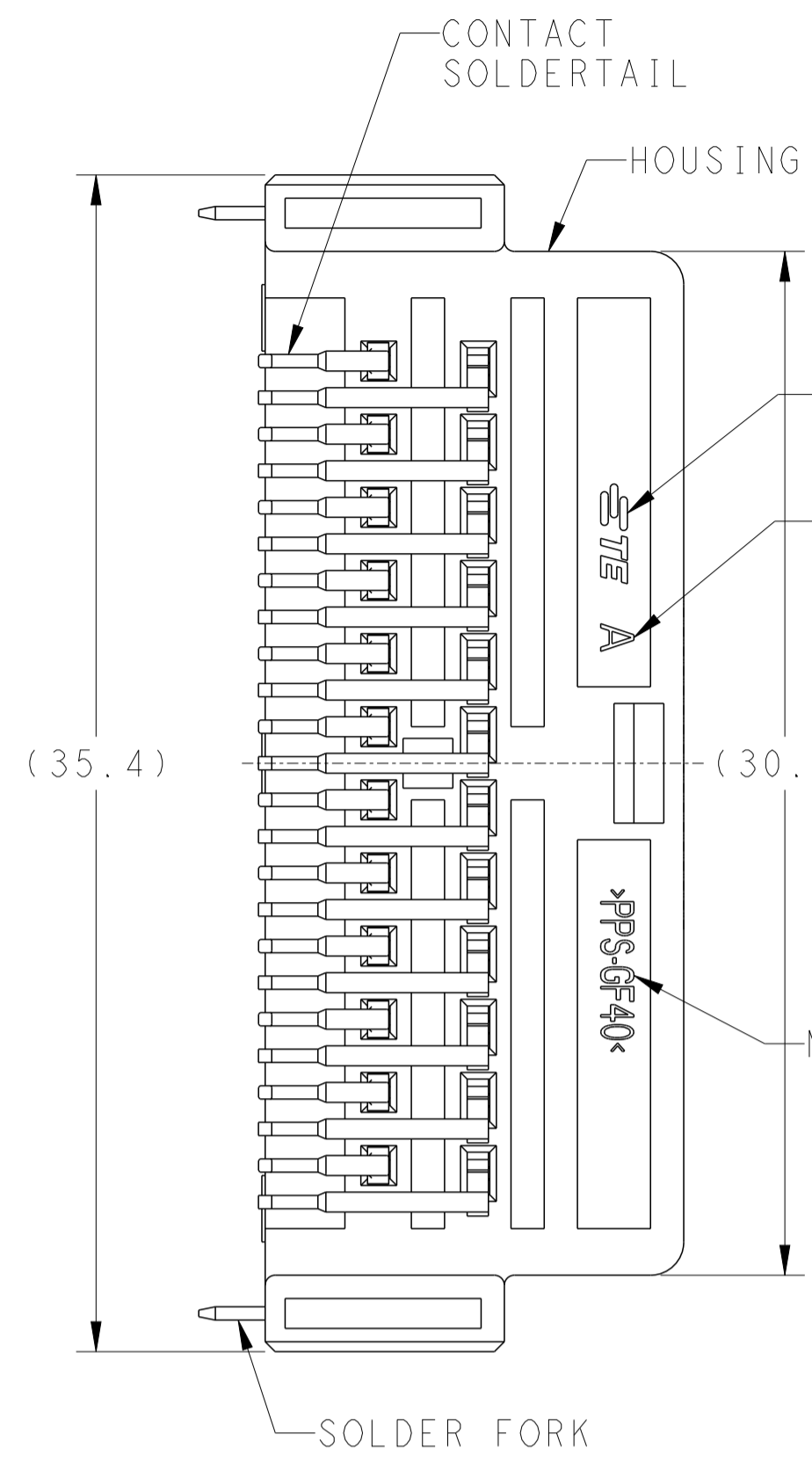
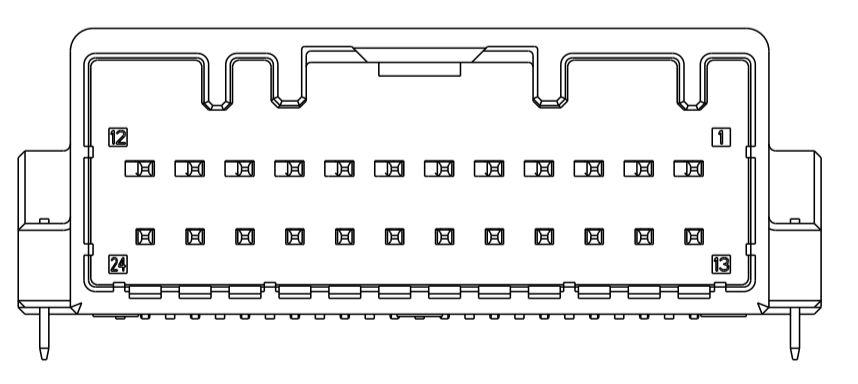


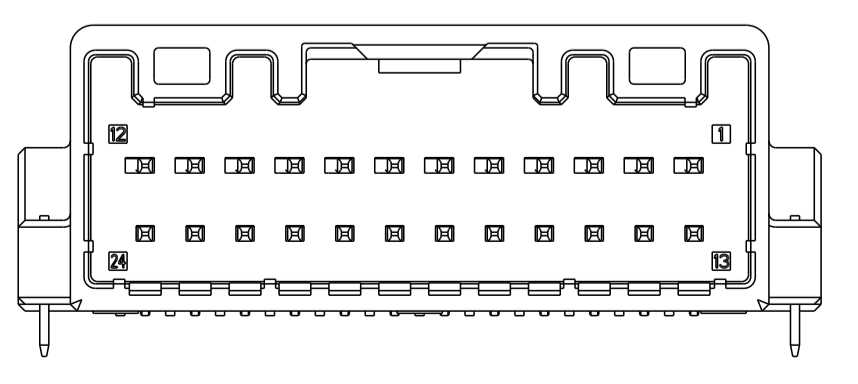
REVISIONS				
REV	DATE	DESCRIPTION	BY	CHKD
A1	14 JUN 2018	REVISED ECR-18-006484	JC	LSF
B	21 NOV 2018	REVISED ECR-18-012315	JC	LSF
B1	24 APR 2019	REVISED ECR-19-006542	JC	TK
B2	13 JUL 2023	REVISED ECR-23-181136	JC	KK



SWS TH24MB-X



SWS TH24MGY-X



TE KEYING 1

- △ THIS DIMENSION IS MEASURED FROM LOWEST SOLDER TAIL TO HIGHEST SOLDER TAIL ALL SOLDER TAILS TO BE BELOW DATUM V
- △ DISTANCE OF SOLDER TAIL 1~24 TO DATUM V
- 3. WHEN MOUNTING, THICKNESS OF SOLDER PASTE: 0.15mm MIN
- △ BLISTER = ANTISTATIC, RESISTANCE 100GΩ MAX REEL = SAME AS BLISTER BLISTER TAPE = SAME AS BLISTER
- B2 5. MATING PLUG PART NUMBER
TE KEYING 1: 1717112-1
SWS TH24MB-X: 6098-7060
SWS TH24MGY-X: 6098-7061
- B2 6. RECOMMENDED AREA FOR CONNECTOR VACUUM PICK UP
- B2 7. HANDLING THIS PART SHOULD FOLLOW INSTRUCTION SHEET: 411-51005

PACKAGING	KEYING	MATERIAL	PLATING	MATERIAL	PLATING	MATERIAL	PLATING	COLOR	PART NUMBER
PAPER BOX	ANTISTATIC TAPE & REEL	TE KEY 1						BLACK	2237067-5
	NON-ANTISTATIC TAPE & REEL	SWS TH24MB-X	BRASS	POST TIN OVER Ni	BRASS	POST TIN OVER Ni	PPS	NATURAL	2237067-4
		SWS TH24MGY-X						GREY	2237067-3
		TE KEY 1						BLUE	2237067-2
	TE KEY 1						BLACK	2237067-1	

THIS DRAWING IS A CONTROLLED DOCUMENT.

APPROVED: JASON CHOW, 21 JUL 2016
 CHK: JIL LIM, 21 JUL 2016
 APVD: SF LEONG, 21 JUL 2016

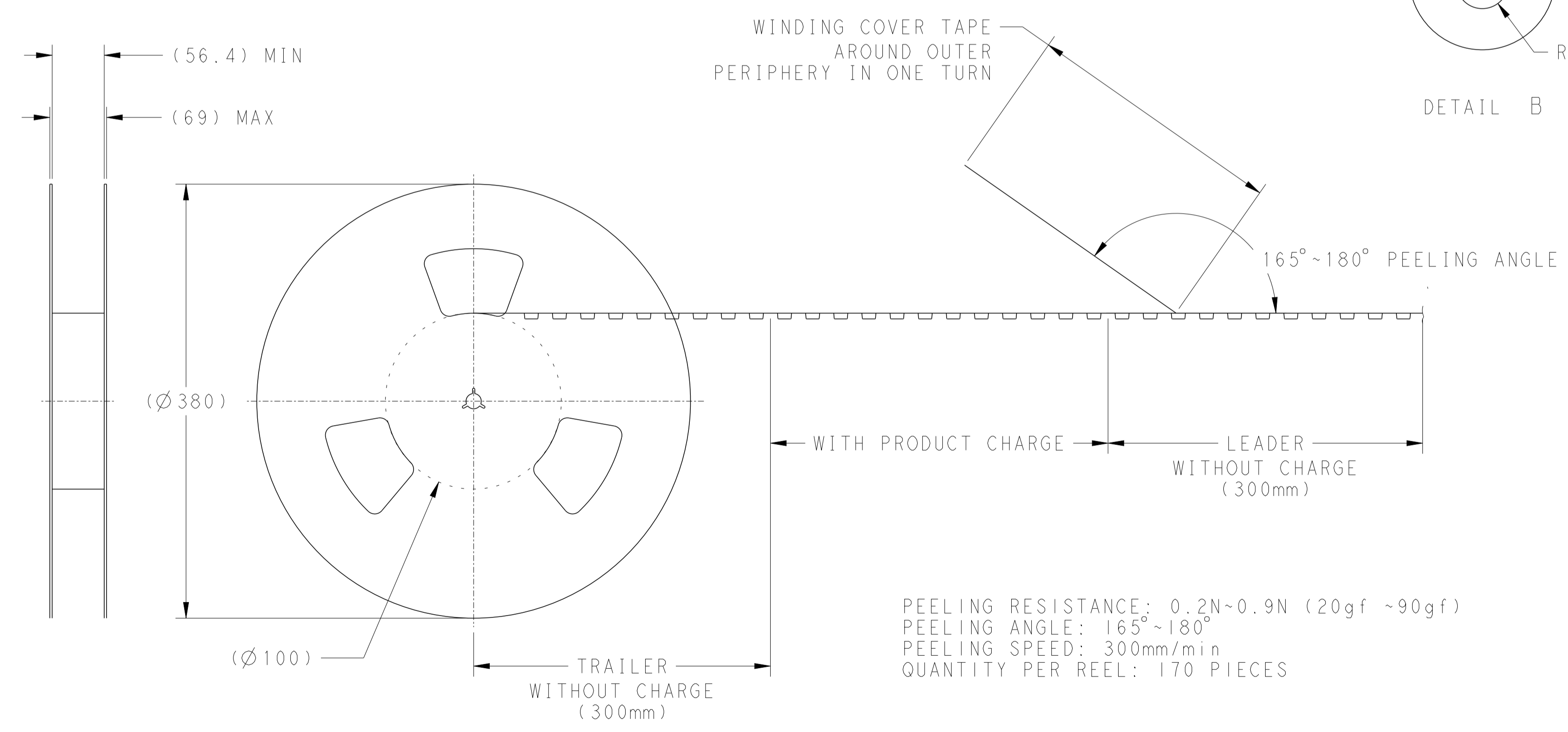
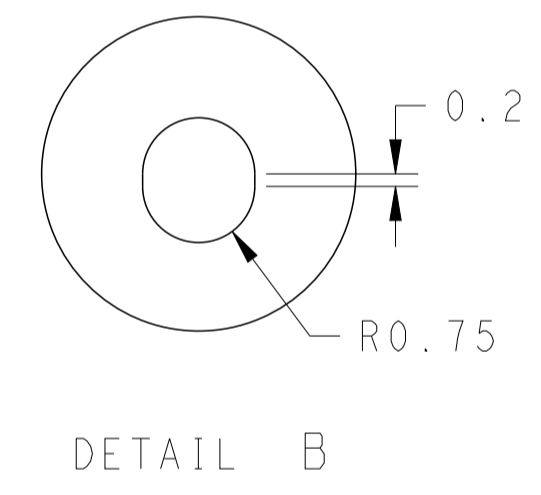
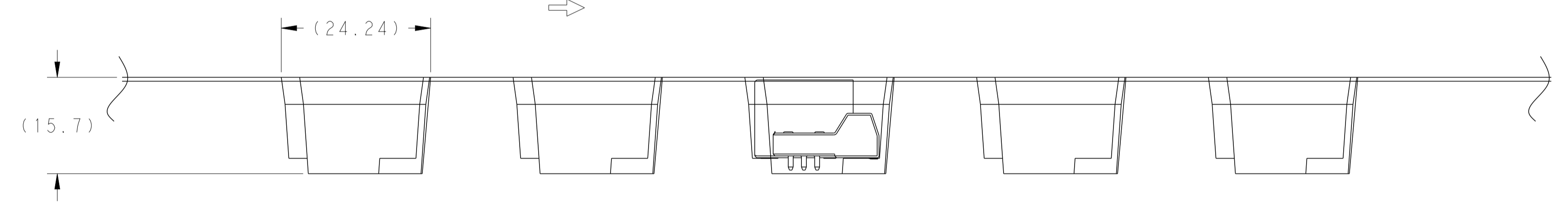
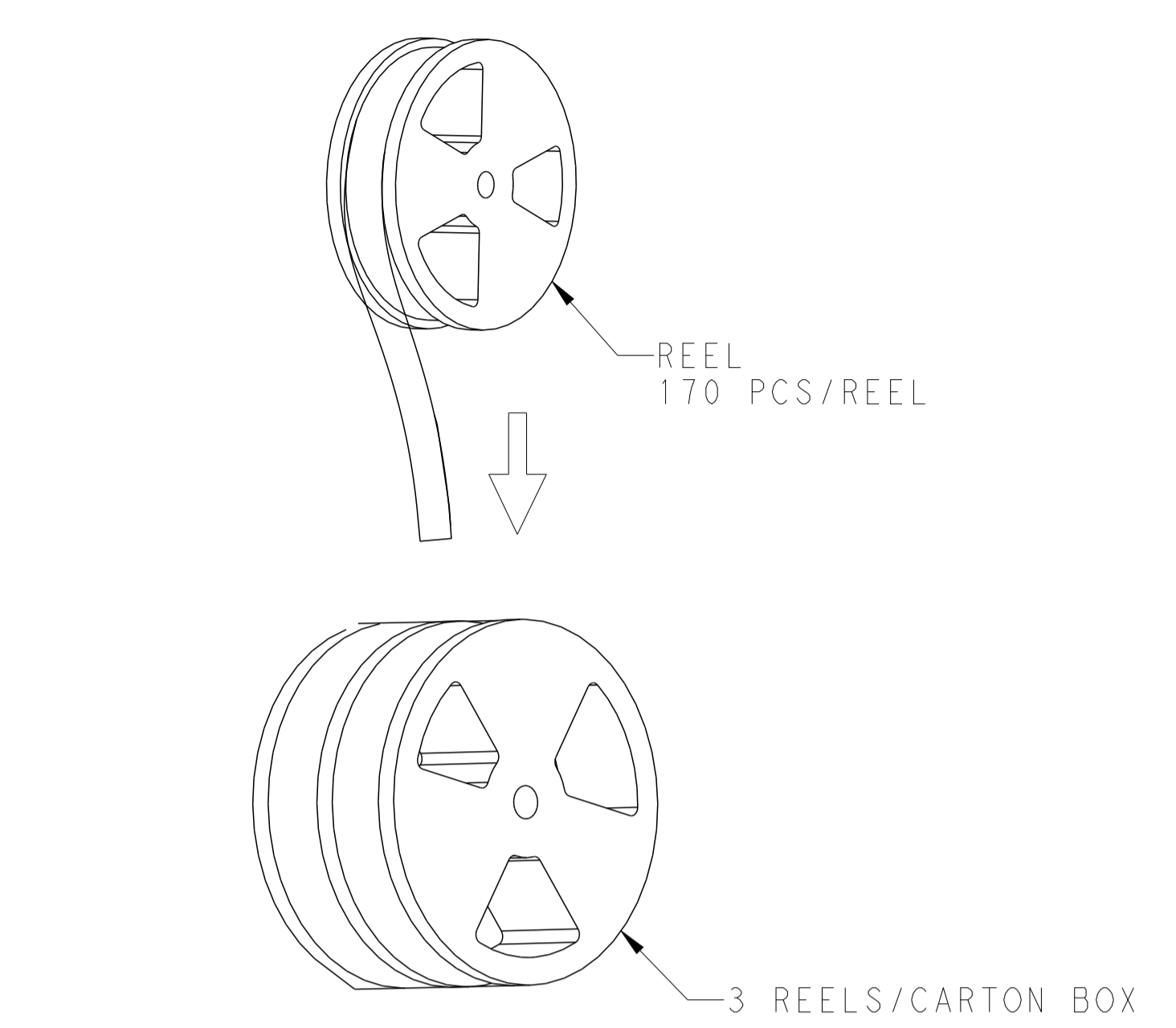
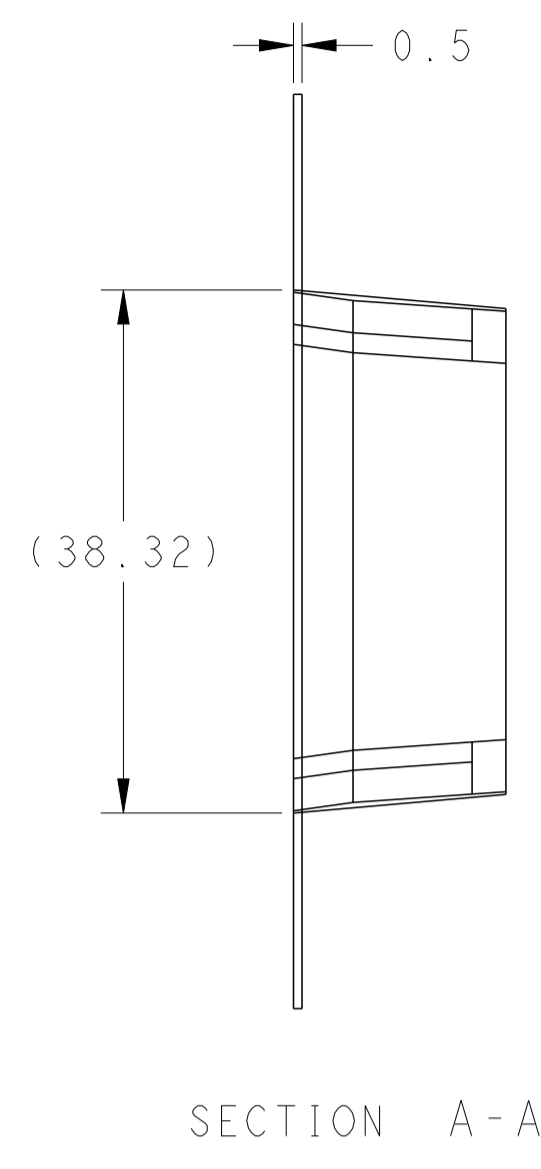
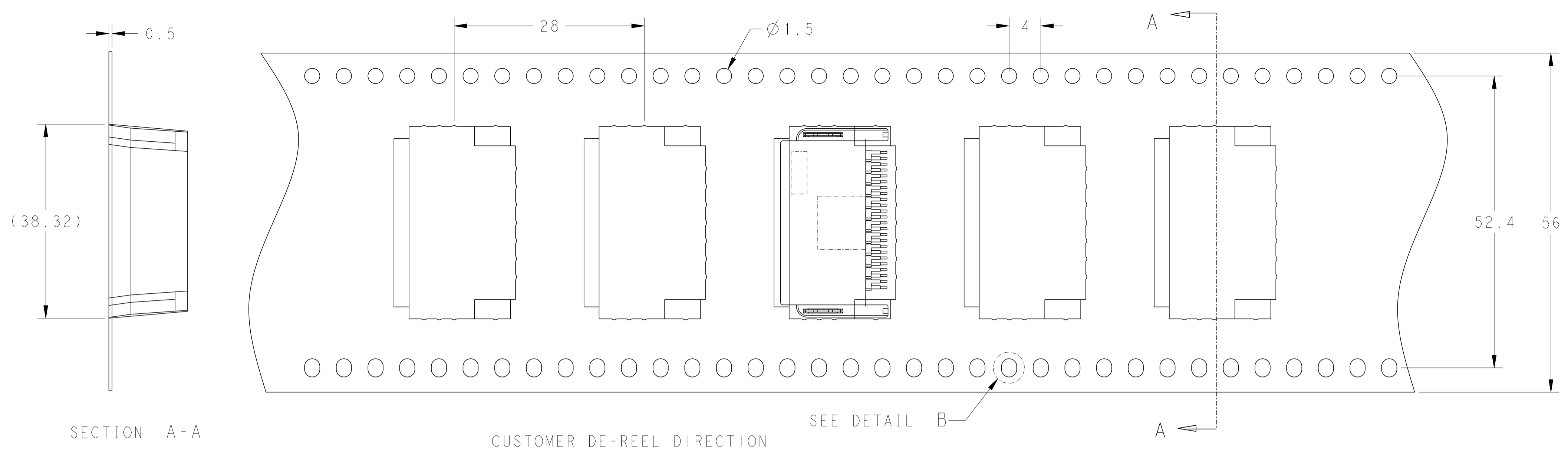
NAME: 24 POSITION CAP ASSEMBLY

SIZE: 108-51110
 APPLICATION SPEC: 108-51110

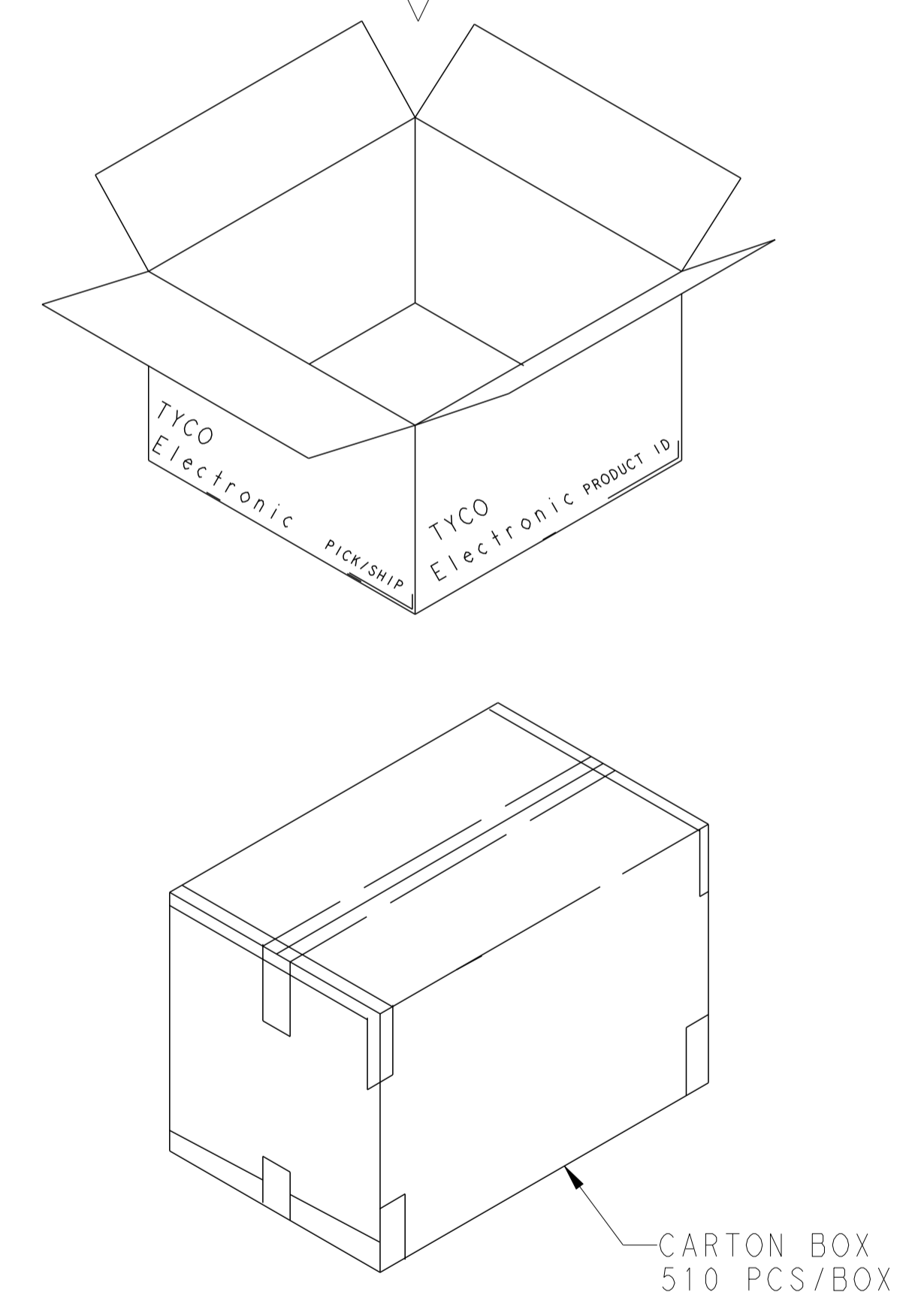
WEIGHT: 5.5g
 CUSTOMER DRAWING: A100779

SCALE: 5:1 SHEET 1 OF 2 REV B2

REVISIONS				
P.	LTN.	DESCRIPTION	DATE	APVD.
-	-	SEE SHEET 1	-	-



PEELING RESISTANCE: 0.2N~0.9N (20gf ~90gf)
 PEELING ANGLE: $165^{\circ} \sim 180^{\circ}$
 PEELING SPEED: 300mm/min
 QUANTITY PER REEL: 170 PIECES



THIS DRAWING IS A CONTROLLED DOCUMENT.		OWN: JASON CHOW 21JUL2016	TE Connectivity	
DIMENSIONS:		CHK: JI LIM 21JUL2016		
mm	TOLERANCES UNLESS OTHERWISE SPECIFIED:	APVD: SE LEONG 21JUL2016	NAME: 24 POSITION CAP ASSEMBLY	
	0 PLC ± 0.3 1 PLC ± 0.3 2 PLC ± 0.3 3 PLC ± 0.3 4 PLC ± 0.3 ANGLES $\pm 3^{\circ}$	PRODUCT SPEC	SIZE: CAGE CODE DRAWING NO	
MATERIAL:	FINISH:	APPLICATION SPEC	RESTRICTED TO	
-	-	WEIGHT:	A100779C=2237067	
CUSTOMER DRAWING		SCALE: NTS	SHEET: 2 OF 2	REV: B2