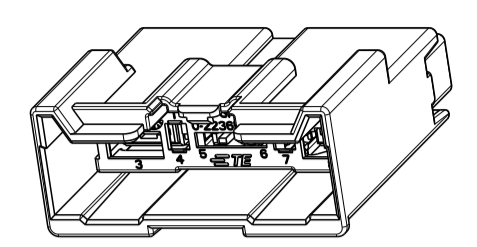
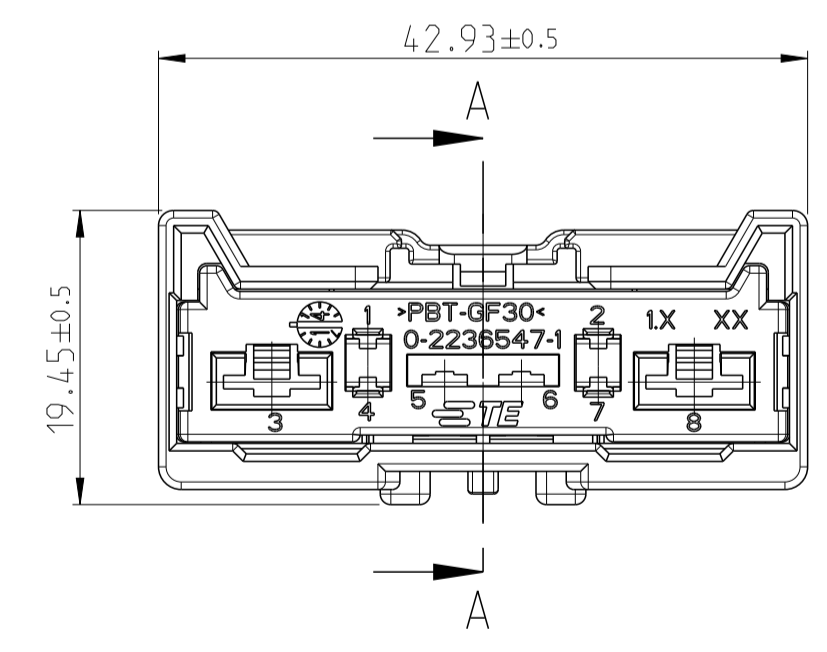
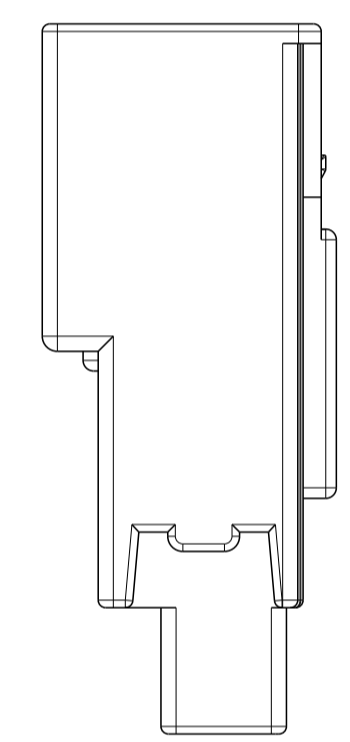
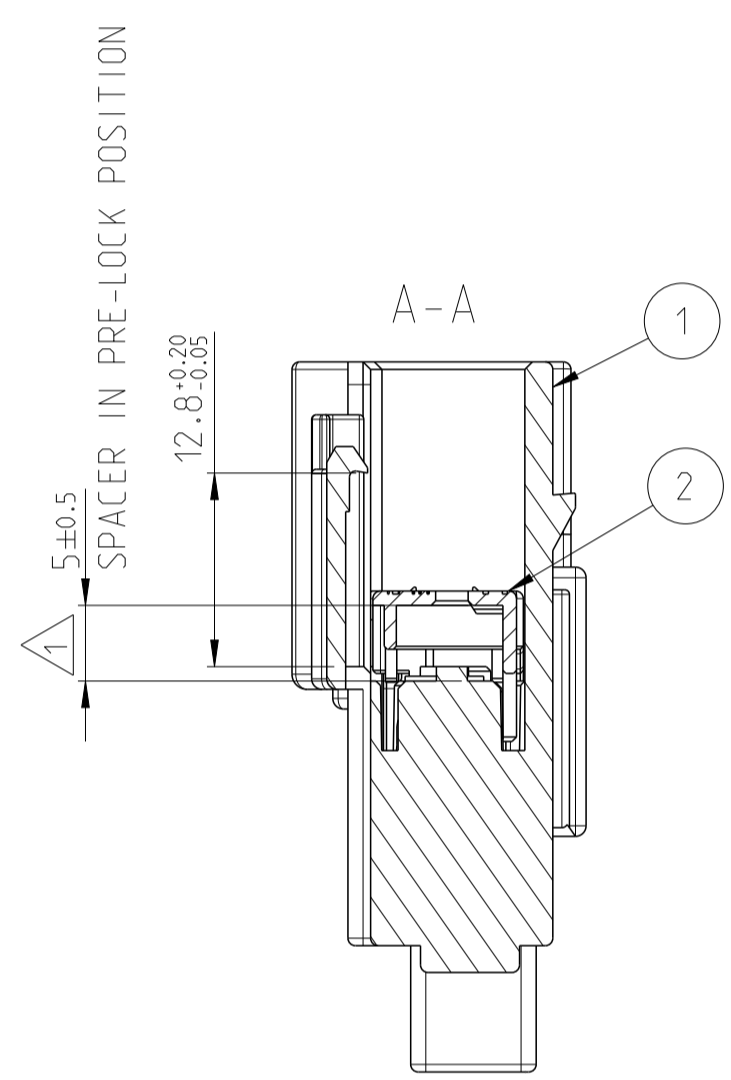
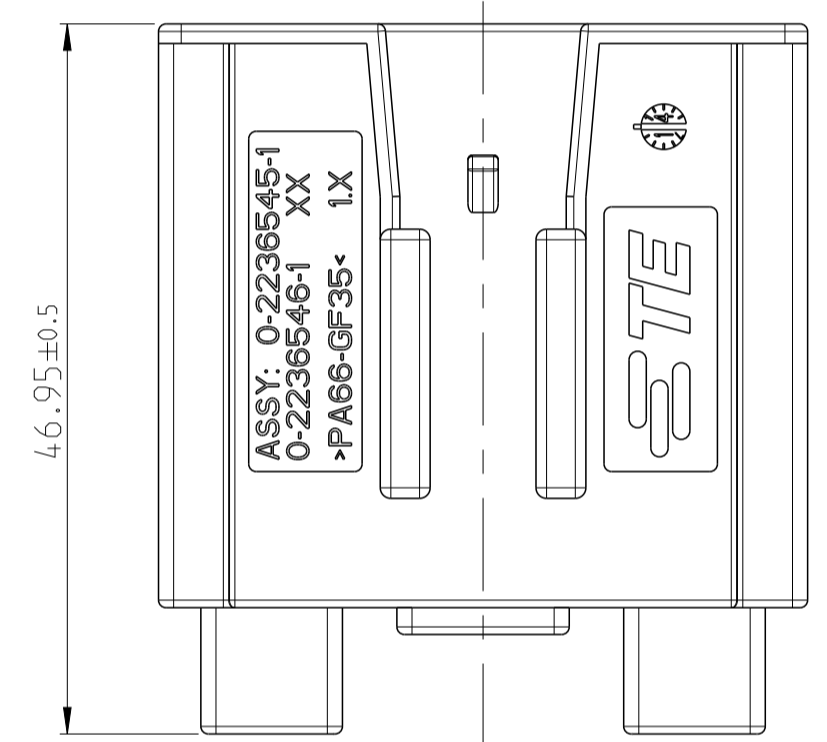
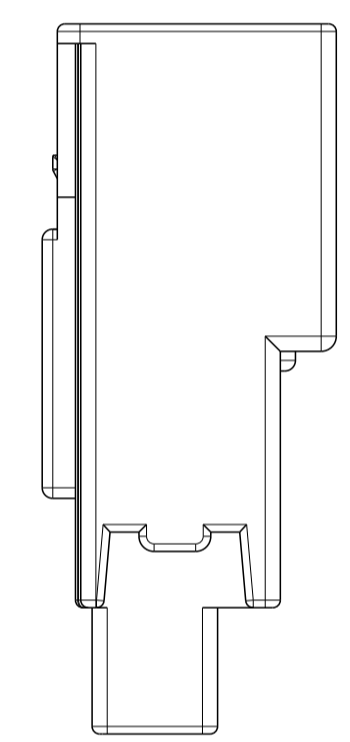
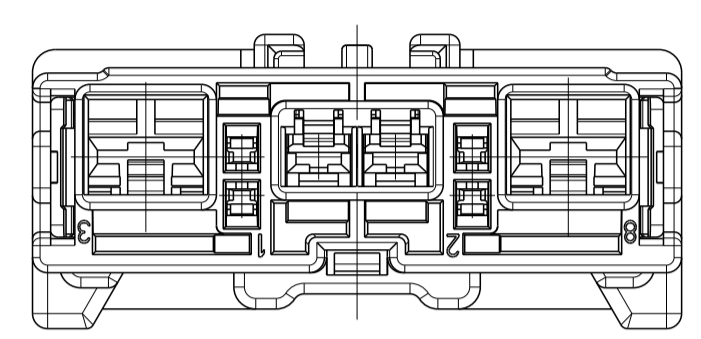


| REVISIONS | | | | |
|-----------|-----|---------------|-----------|----------|
| P | LTN | DESCRIPTION | DATE | DWN APVD |
| A | | NEW DRAWING | 14OCT2013 | MK KR |
| A1 | | ECR-15-009963 | 02JUL2015 | GP KR |



1:1



NOTE

- 1 DELIVERY CONDITION: SPACER IN PRE-LOCK POSITION
- 2 PACKAGING: CONNECTOR ASSEMBLIES PACKED IN CARDBOARD BOX
- 3 MATING PART: TE PN: 1823347-1 FORD PN: AV6N-14489-ACA

| | | | | | |
|--|-------------------|-------------|-----------------------|--------|---------|
| 1x | 8POS. SPACER | A | RED SIMILAR RAL3000 | 2 | |
| 1x | 8POS. TAB HOUSING | A | BLACK SIMILAR RAL9011 | 1 | |
| - | 0-2236545-1 | DESCRIPTION | REV | COLOUR | ITEM NO |
| REVISION OF EACH ASSY NO (WHEN BLANK USE DWG REVISION) | | | | | |
| QTY RECD PER ASSY | | PARTS LIST | | | |

| | | | | |
|--|-----|-----------------------------|---|--|
| THIS DRAWING IS A CONTROLLED DOCUMENT. | | DWN: M. Kressmann 14OCT2013 | TE Connectivity | |
| DIMENSIONS: mm | | CHK: K. Roth 14OCT2013 | | |
| TOLERANCES UNLESS OTHERWISE SPECIFIED: | | APVD: K. Roth 14OCT2013 | | |
| 0 PLC | # | PRODUCT SPEC | NAME: 8POS. HYBRID TAB HOUSING ASSEMBLY | |
| 1 PLC | # | APPLICATION SPEC | 2xYESC 6.3, 2xYESC 2.8, 4xGET | |
| 2 PLC | # | WEIGHT | SIZE: A1 | |
| 3 PLC | # | CAGE CODE | CAGE CODE: 00779 | |
| 4 PLC | # | DRAWING NO | DRAWING NO: 2236545 | |
| ANGLES | #2° | SCALE | SCALE: 2:1 | |
| MATERIAL | - | SHEET | SHEET 1 OF 1 | |
| FINISH | - | REV | REV A1 | |
| CUSTOMER DRAWING | | RESTRICTED TO | | |