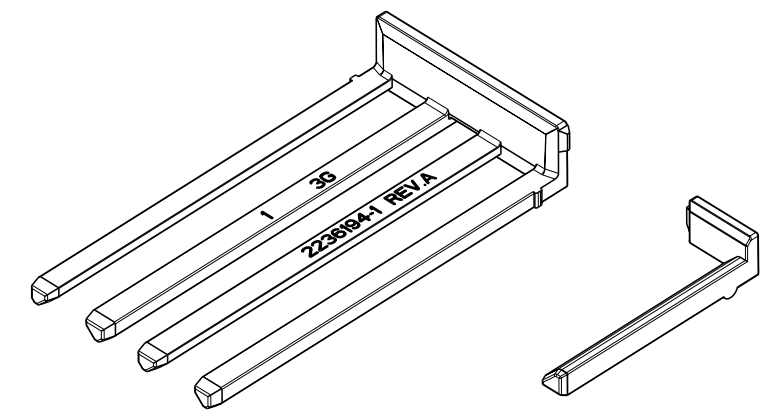
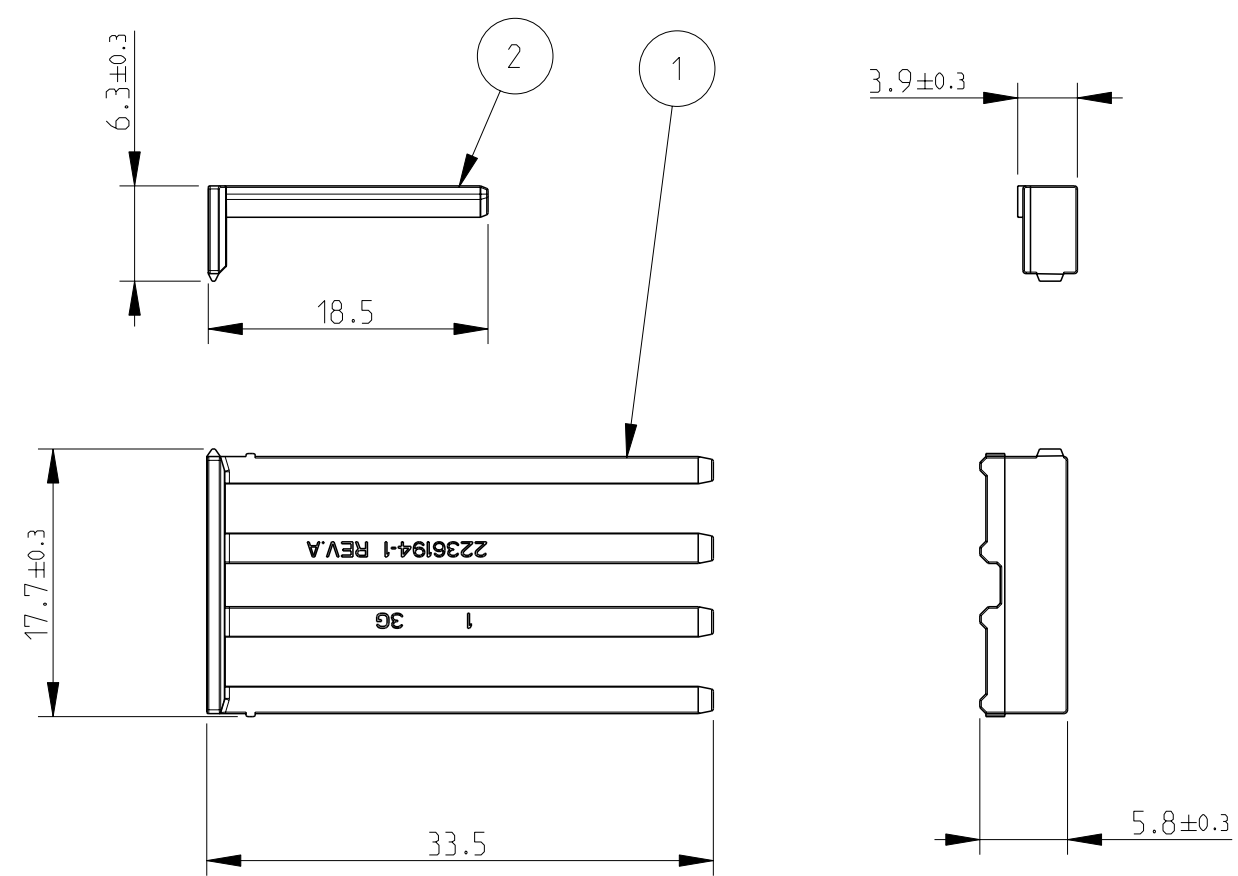


THIS DRAWING IS UNPUBLISHED. RELEASED FOR PUBLICATION 20
 © COPYRIGHT 20 BY - ALL RIGHTS RESERVED.

REVISIONS					
P	LTR	DESCRIPTION	DATE	DWN	APVD
	A	FIRST ISSUE	07APR2014	SDM	A.P.



0-2236048-1	1	SECONDARY LOCK FOR AMP MCP 4.8/6.3 CTCs	PA66GF	RED	2
	1	SECONDARY LOCK FOR MCON 1.2 & 2.8 CTCs	PA66GF	RED	1
	Q.TY	DESCRIPTION	MATERIAL	COLOUR	ITEM

NOTE:

- 1) MATERIAL: SEE TABLE
- 2) PARTS SUPPLIED SEPARATELY IN SAME QUANTITIES IN DIFFERENT PLASTIC BAGS AND IN THE SAME CARTON BOX

P/N 2236048-1 AS SHOWN

THIS DRAWING IS A CONTROLLED DOCUMENT.		DWN 02MAY2013 S. Di Maggio		
DIMENSIONS: mm		CHK 02MAY2013 A. Plazio		
TOLERANCES UNLESS OTHERWISE SPECIFIED:		APVD 02MAY2013	NAME SECONDARY LOCKS FOR 32 POS KIT	
0 PLC ±1 1 PLC ±0.7 2 PLC ±0.3 3 PLC ± 4 PLC ± ANGLES ±		PRODUCT SPEC -	SIZE A3	
MATERIAL -		APPLICATION SPEC -	CAGE CODE 00779	DRAWING NO C-2236048
FINISH -		WEIGHT -	RESTRICTED TO -	
		Customer Drawing	SCALE 2:1	SHEET 1 OF 1 REV A