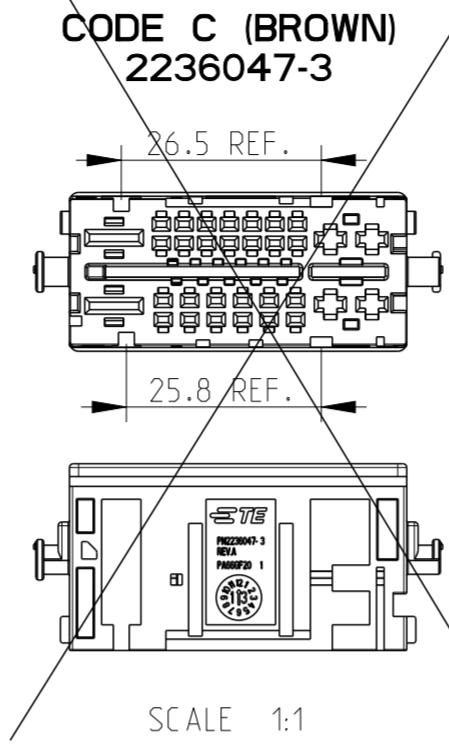
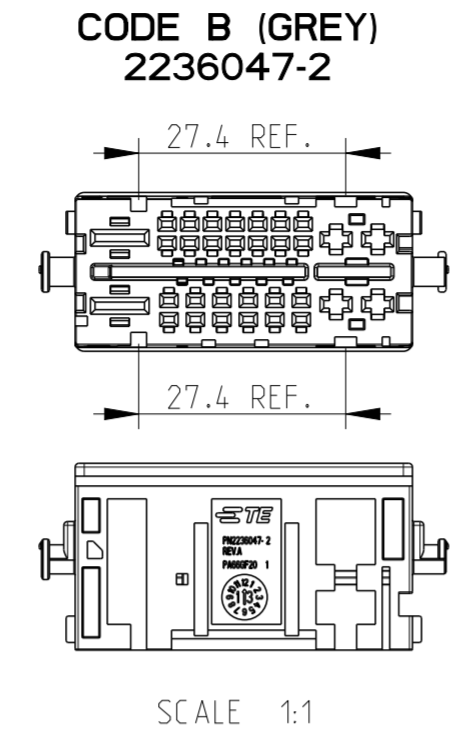
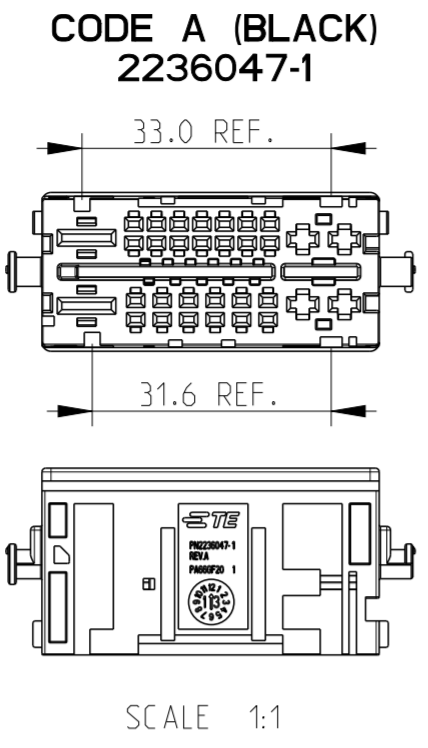
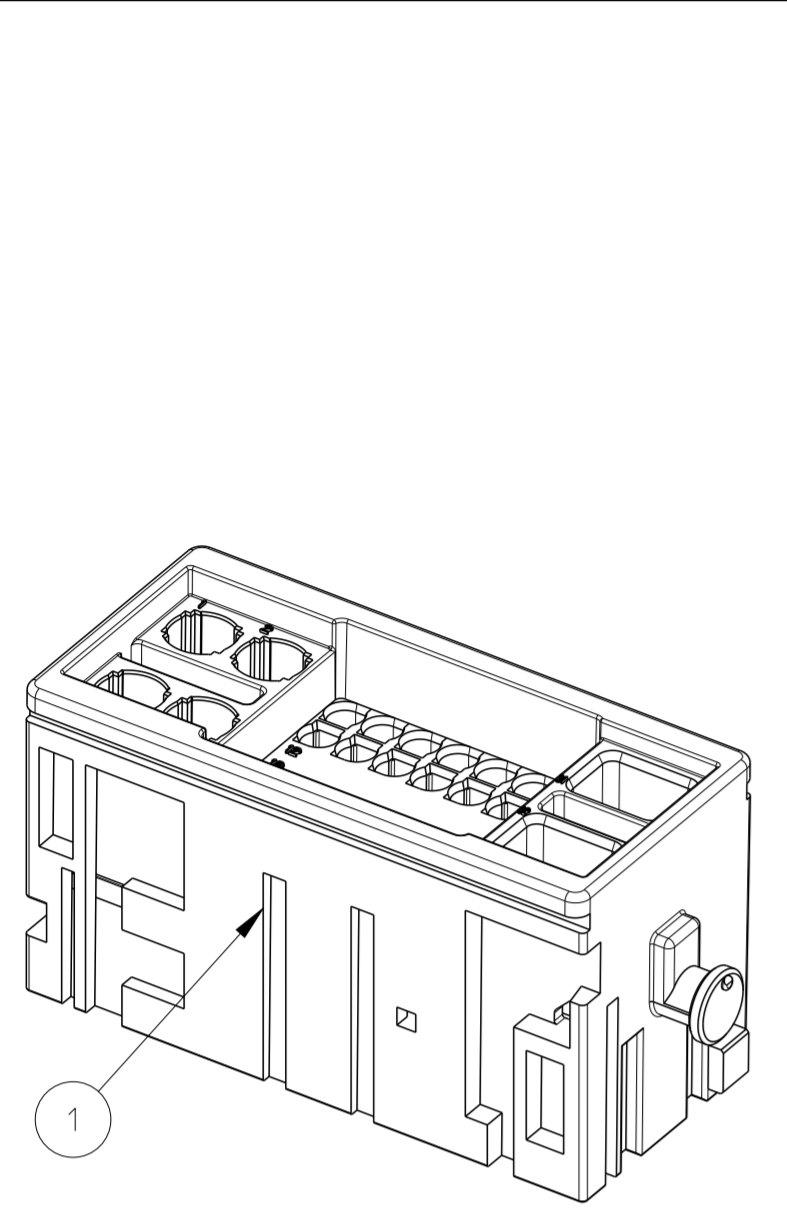
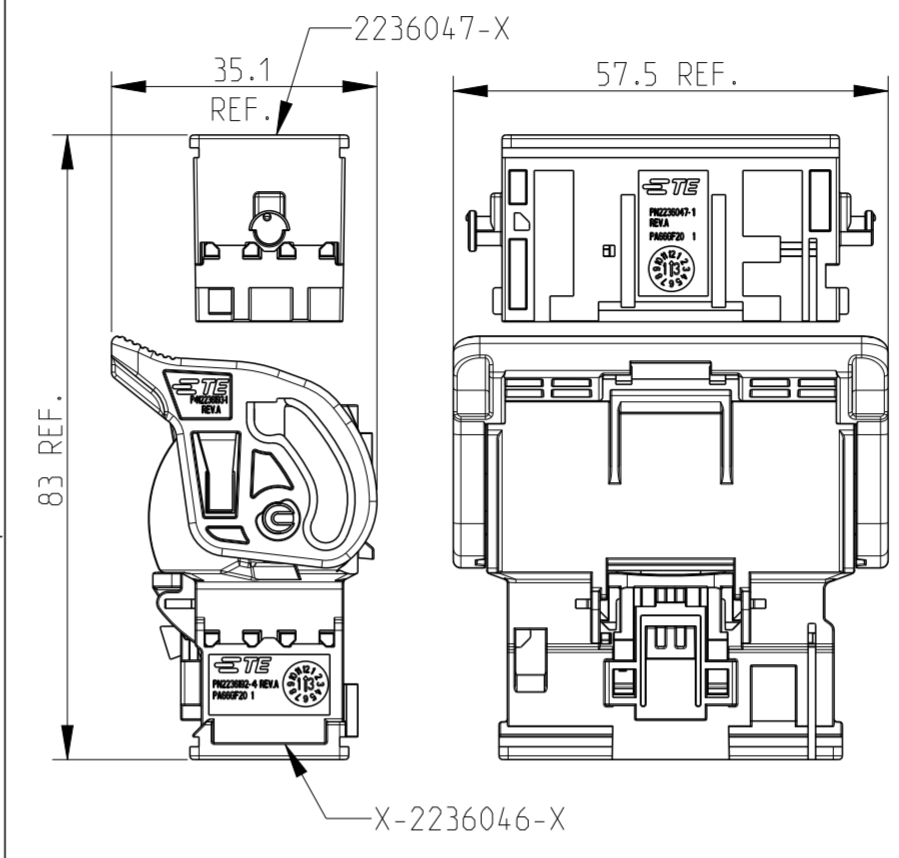


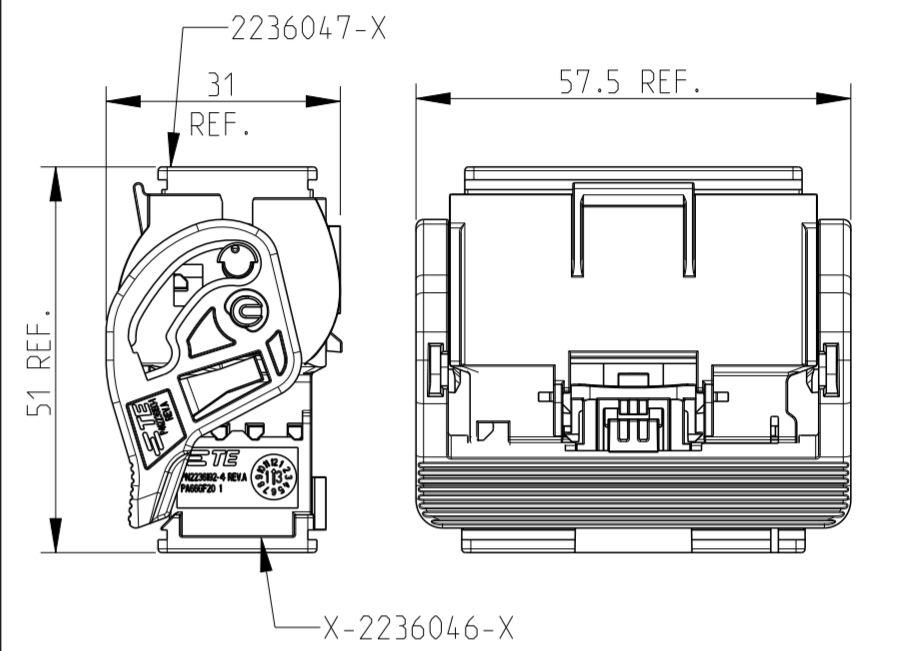
THIS DRAWING IS UNPUBLISHED. RELEASED FOR PUBLICATION
 © COPYRIGHT 20 BY - ALL RIGHTS RESERVED.



OVERALL DIMENSIONS BEFORE MATING



OVERALL DIMENSIONS AFTER MATING



4 CAVITIES SUITABLE FOR MCON 2.8 RECEPTACLE CONTACTS (CAV. 1.2.3.4)

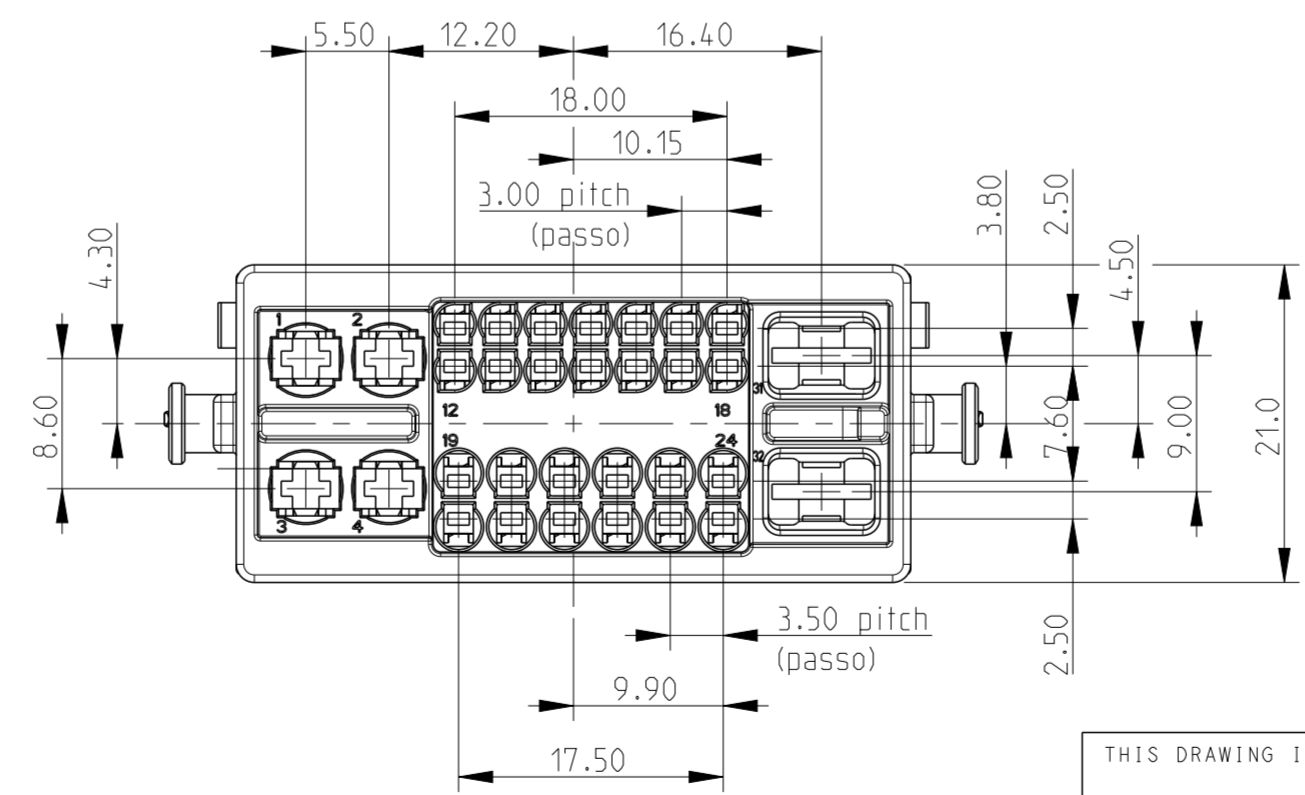
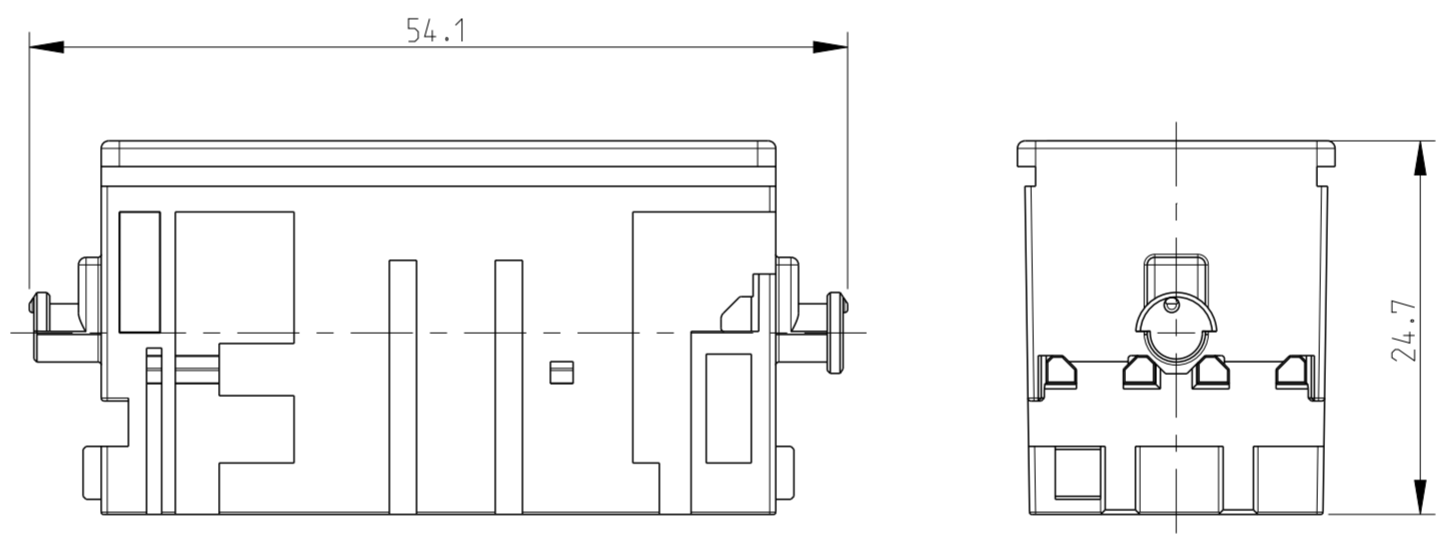
Sn PLTD P/N	WIRE RANGE [mm ²] (RANGO FILO)	REFERENCE DRW. (DISEGNO DI RIF.)
1563719-1	0.5	C-1719797
1719838-1	0.75-1.0	
1719840-1	>1.0-2.5	
1718475-1	>2.5-4.0	

14+12 CAVITIES SUITABLE FOR MCON 1.2 RECEPTACLE CONTACTS (14 x WIRE RANGE MAX 1sqmm (CAV. 5-11, 12-18) + 12 x WIRE RANGE MAX 1.5sqmm (CAV. 19-24, 25-30))

Sn PLTD P/N	WIRE RANGE [mm ²] (RANGO FILO)	REFERENCE DRW. (DISEGNO DI RIF.)
7-1452653-1	0.25-0.35	C-1452674
7-1452656-1	0.5-0.75	
7-1452659-1	1.0-1.5	

2 CAVITIES SUITABLE FOR AMPMCP 4.8/6.3 RECEPTACLE CONTACTS (CAV 31.32)

Sn PLTD P/N	WIRE RANGE [mm ²] (RANGO FILO)	REFERENCE DRW. (DISEGNO DI RIF.)
1241400-1	0.35-0.5	C-1241438
1241402-1	0.75-1.0	
1241404-1	>1.0-2.5	
1241406-1	>2.5-4.0	
1241408-1	>4.0-6.0	



NOTE:

- 1) MATERIAL: SEE TABLE
- 2) CODING IS INDICATED IN THE TABLE
- 3) SUITABLE CONTACTS ARE INDICATED IN THE TABLE
- 4) TAB HOUSING P/N X-2236046-X
- 5) SECONDARY LOCKS ARE SOLD SEPARATELY IN KIT P/N 2236048-1

Q.TY	P/N	DESCRIPTION	MATERIAL	COLOUR	ITEM
1	0-2236047-3	FEMALE CONNECTOR CODE C	PA66GF	BROWN	1
1	0-2236047-2	FEMALE CONNECTOR CODE B	PA66GF	GREY	1
1	0-2236047-1	FEMALE CONNECTOR CODE A	PA66GF	BLACK	1

P/N 2236047-1 AS SHOWN

THIS DRAWING IS A CONTROLLED DOCUMENT.		DWN S. Di Maggio 02MAY2013	TE Connectivity	
DIMENSIONS: mm		CHK A. Plazio 02MAY2013		
TOLERANCES UNLESS OTHERWISE SPECIFIED:		APVD 02MAY2013	NAME 32 POS FEMALE HYBRID CONNECTOR	
0 PLC ±1		PRODUCT SPEC 108-20329		
1 PLC ±0.7		APPLICATION SPEC 411-20134		
2 PLC ±0.3		WEIGHT -		
3 PLC ±		SIZE A2		
4 PLC ±		CAGE CODE 100779		
ANGLES FINISH		DRAWING NO C-2236047		
MATERIAL		RESTRICTED TO -		
-		SCALE 2:1 SHEET 1 OF 1 REV A1		
-		Customer Drawing		