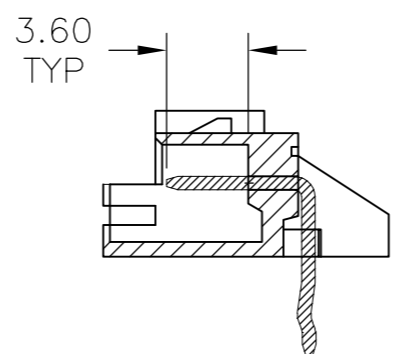
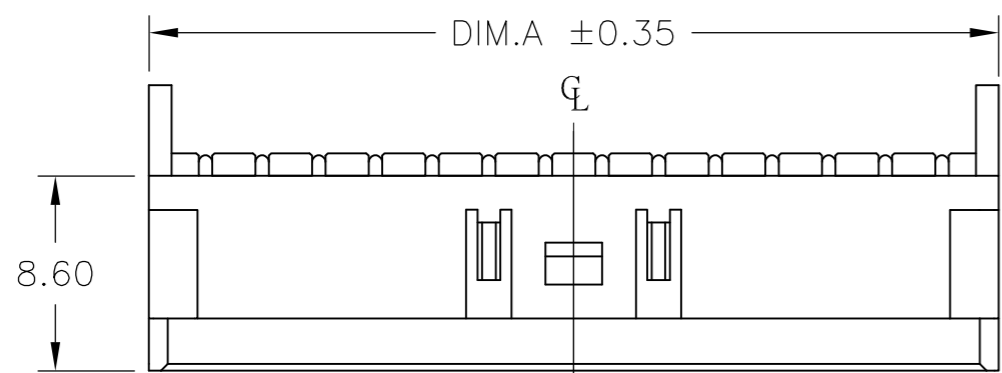
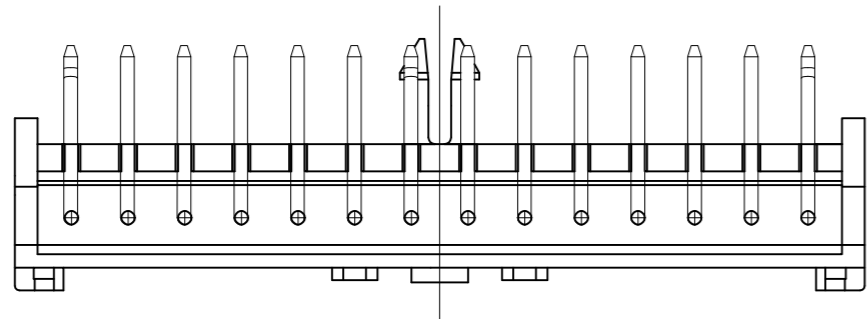
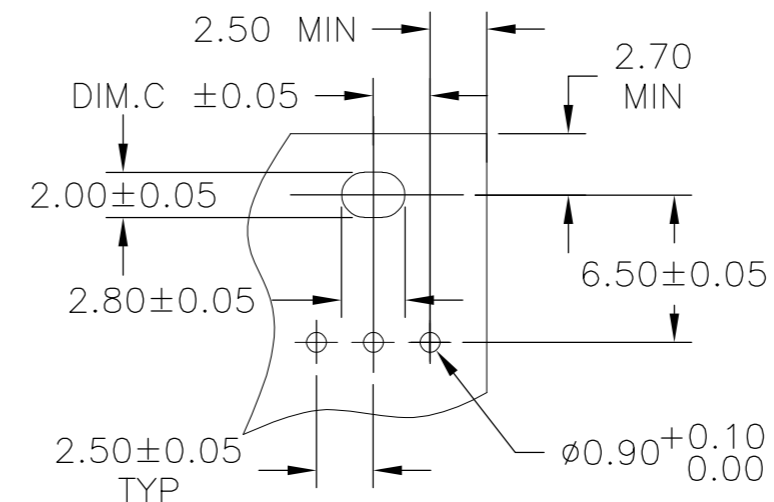


THIS DRAWING IS UNPUBLISHED. RELEASED FOR PUBLICATION
 © COPYRIGHT - By - ALL RIGHTS RESERVED.

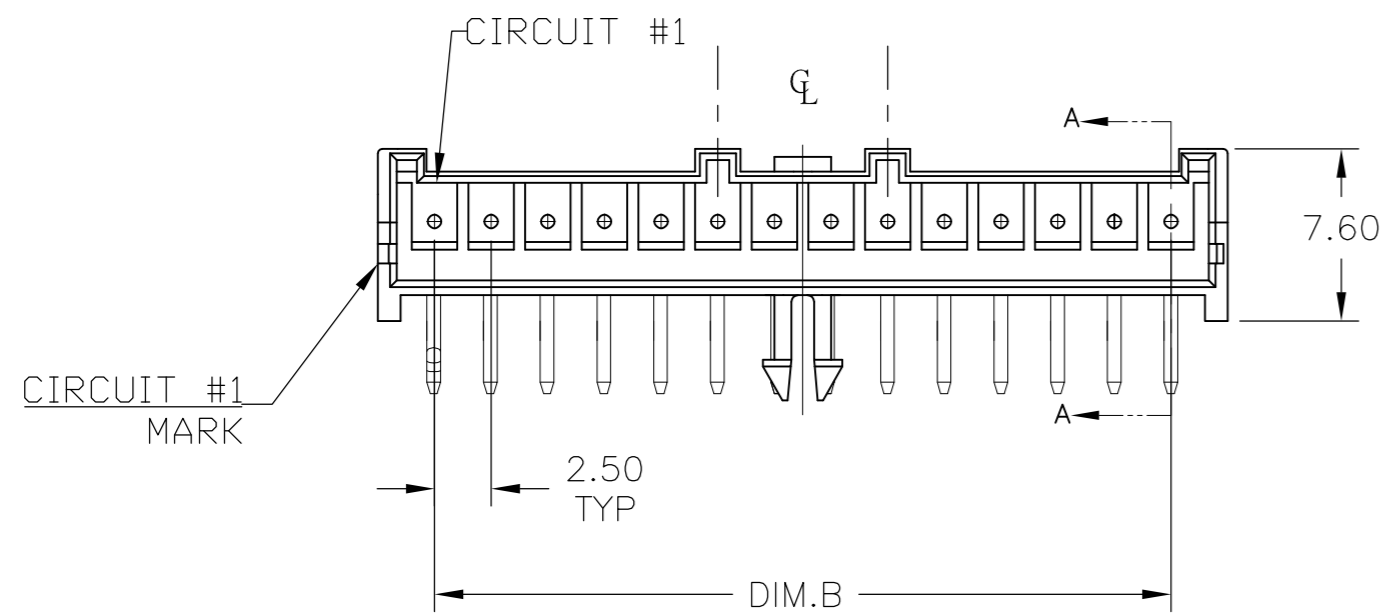
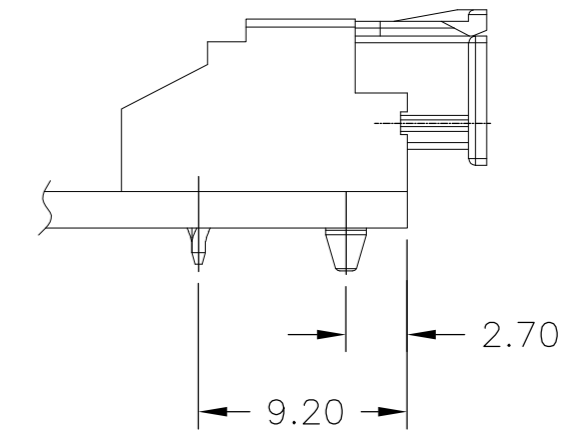
LOC		DIST		REVISIONS			
P	LTR	DESCRIPTION	DATE	DWN	APVD		
AF	-	RELEASED PER ECR-15-012134	14AUG15	O.C	D.Z		



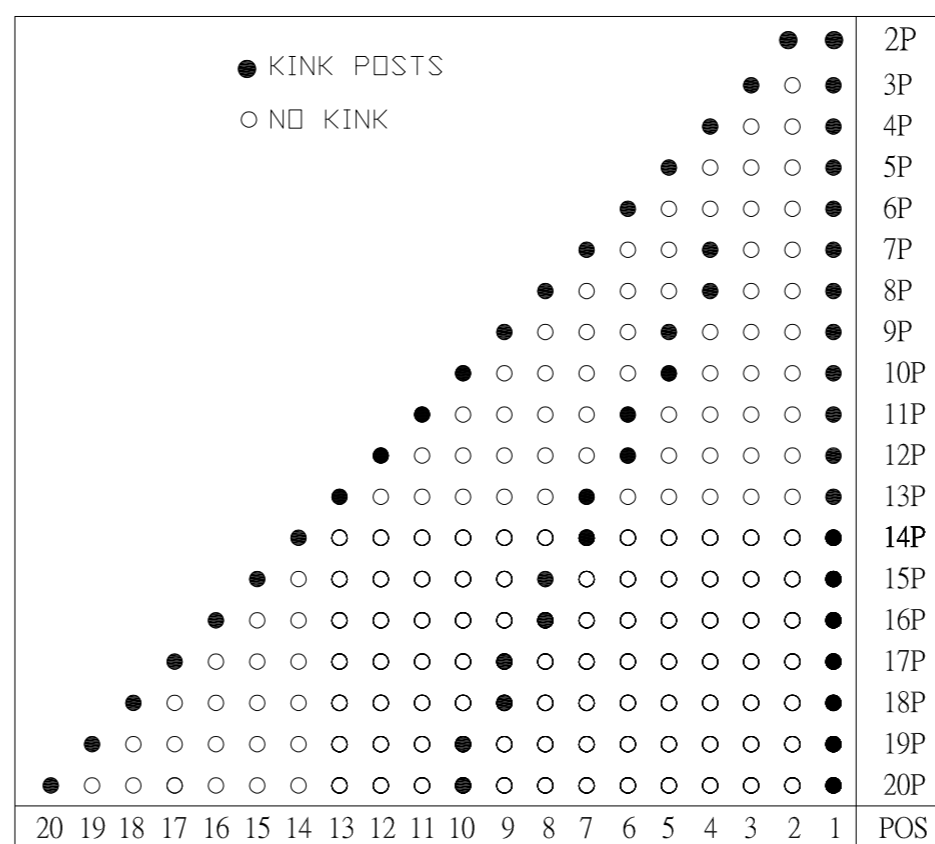
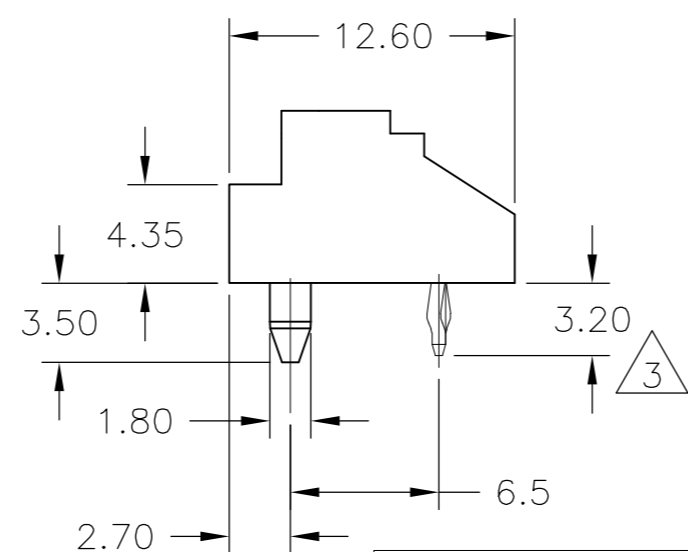
SECTION A-A



RECOMMENDED PCB LAYOUT
 RECOMMENDED THICKNESS=1.57±0.05

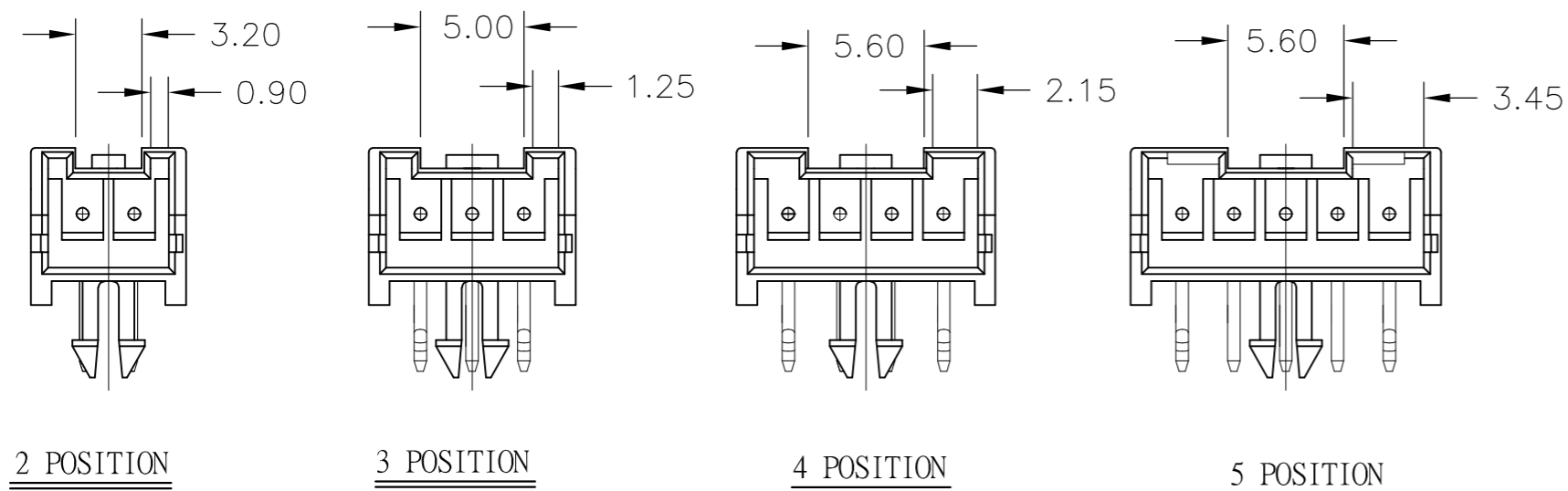


6 TO 20 POSITION



Position of kink

31.25	47.50	52.50	20	△2-2232981-0
28.75	45.00	50.00	19	△1-2232981-9
26.25	42.50	47.50	18	△1-2232981-8
23.75	40.00	45.00	17	△1-2232981-7
21.25	37.50	42.50	16	△1-2232981-6
18.75	35.00	40.00	15	△1-2232981-5
16.25	32.50	37.50	14	△1-2232981-4
15.00	30.00	35.00	13	△1-2232981-3
13.75	27.50	32.50	12	△1-2232981-2
12.50	25.00	30.00	11	△1-2232981-1
11.25	22.50	27.50	10	△1-2232981-0
10.00	20.00	25.00	9	△ 2232981-9
8.75	17.50	22.50	8	△ 2232981-8
7.50	15.00	20.00	7	△ 2232981-7
6.25	12.50	17.50	6	△ 2232981-6
5.00	10.00	15.00	5	2232981-5
3.75	7.50	12.50	4	△ 2232981-4
2.50	5.00	10.00	3	△ 2232981-3
1.25	2.50	7.50	2	△ 2232981-2
DIM.C	DIM.B	DIM.A	POS	PART NO.



2 POSITION

3 POSITION

4 POSITION

5 POSITION

2 TO 5 POSITION

1 MATERIAL,
 HOUSING: NYLON 94VO, NATURAL.
 CONTACT: COPPER ALLOY

2 FINISH: CONTACT: BRIGHT TIN OVER
 NICKEL UNDERPLATED OVER ALL

△3 CONTACT SOLDER TAIL KINK DIRECTION
 (BOARDLOCK). OUTER POSITIONS KINK FRONT,
 INSIDE POSITION KINK BACK.

△4 PRELIMINARY - NOT FOR PRODUCTION.

THIS DRAWING IS A CONTROLLED DOCUMENT.		DWN	18JUN2015	TE TE Connectivity	
DIMENSIONS: mm		CHK	19JUN2015		
TOLERANCES UNLESS OTHERWISE SPECIFIED:		APVD	19JUN2015	NAME	
0 PLC	± -	OTTO CHEN		108-2418	
1 PLC	± -	DANIEL. Z		APPLICATION SPEC	
2 PLC	± 0.20	DANIEL. Z		114-13315	
3 PLC	± -	DANIEL. Z		WEIGHT -	
4 PLC	± -	DANIEL. Z		CUSTOMER DRAWING	
ANGLES	± 1	18JUN2015		SCALE N/A	
FINISH	-	19JUN2015		SHEET 1 OF 1	
MATERIAL		19JUN2015		REV A	