

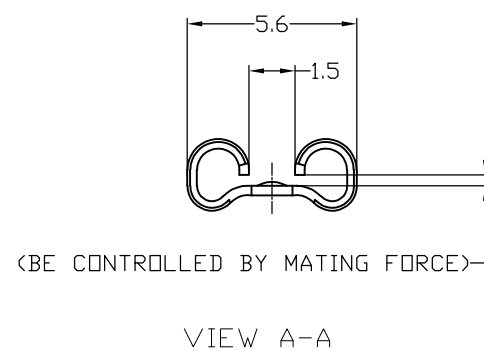
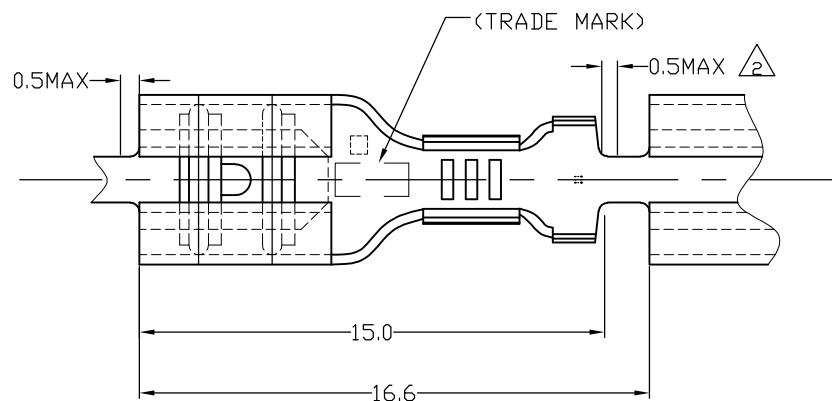
THIS DRAWING IS UNPUBLISHED.

RELEASED FOR PUBLICATION 2015-JUN, -

ALL RIGHTS RESERVED.

© COPYRIGHT - By -

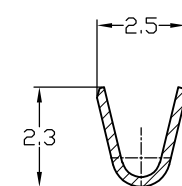
LOC	DIST	REVISIONS					
J	-	P	LTR	DESCRIPTION	DATE	DWN	APVD
		#-	A	INITIAL RELEASE	15JUN15	L.P	T.D



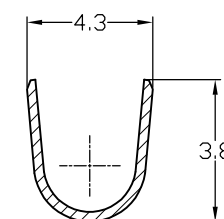
NOTE:

1. SEE PRODUCT SPEC FOR THE DETAIL OF MATING TAB

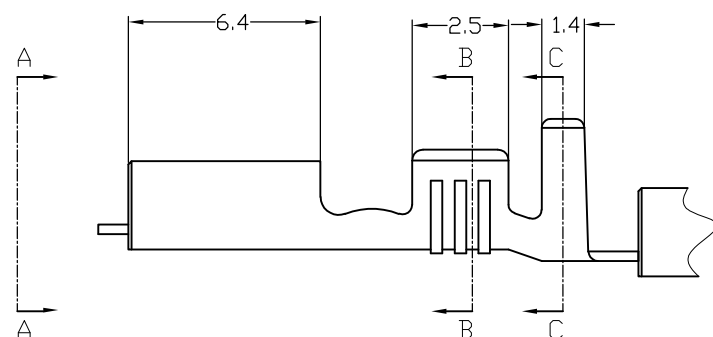
△ LOOSE PIECE CUT-OFF DIMENSIONS



SECT. "B"- "B"



SECT. "C"- "C"



0.51t	108-5008	170203-2	BRASS 0.32t	ELECTRICAL TIN PLATED	2232974-1
MATING TAB THK.	PRODUCT SPEC NO.	L.P P/N	MATERIAL	FINISH	P/N

WIRE RANGE 0.20~0.56 mm ² (AWG # 24~#20)	THIS DRAWING IS A CONTROLLED DOCUMENT.	
INSULATION DIA 1.5~2.5mm	DIMENSIONS: 単位: 耗 mm	TOLERANCES UNLESS OTHERWISE SPECIFIED: 一般公差
TOLERANCES ±0.4 ±1°	MATERIAL 材料 SEE TABLE	FINISH 仕上 SEE TABLE

DWN LEI PAN 15JUN15	 TE Connectivity 187 SERIES FASTON RECEPTACLE 	RESTRICTED TO
CHK TIM DING 15JUN15		
APVD TIM DING 15JUN15		NAME 名称
PRODUCT SPEC 製品規格 108-5008		
APPLICATION SPEC 取付適用規格 114-5084	SIZE A3	CAGE CODE 00779
WEIGHT /	DRAWING NO 番号 C-2232974	SCALE 尺度 4:1
CUSTOMER DRAWING		SHEET 1 OF 1
		REV A