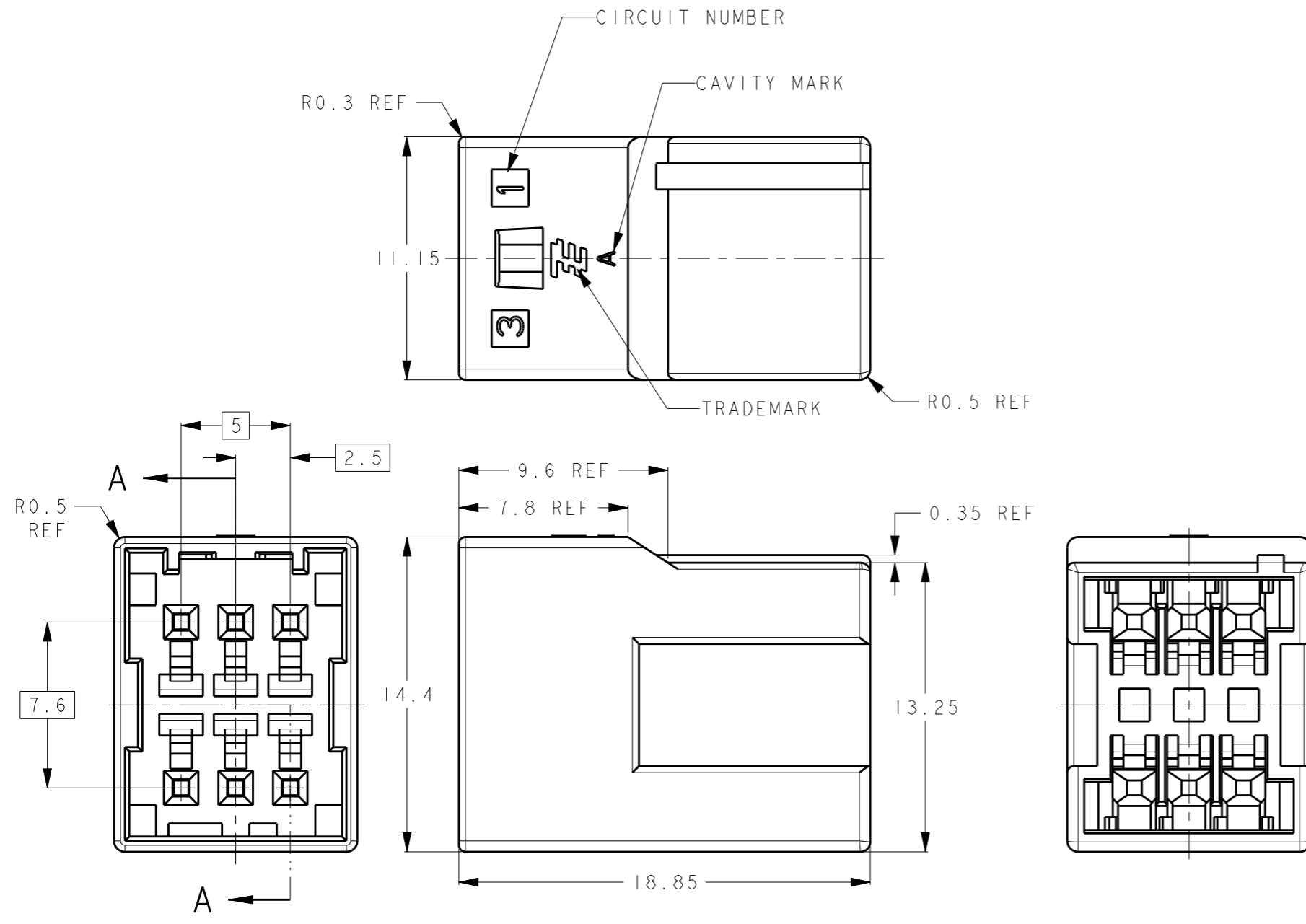
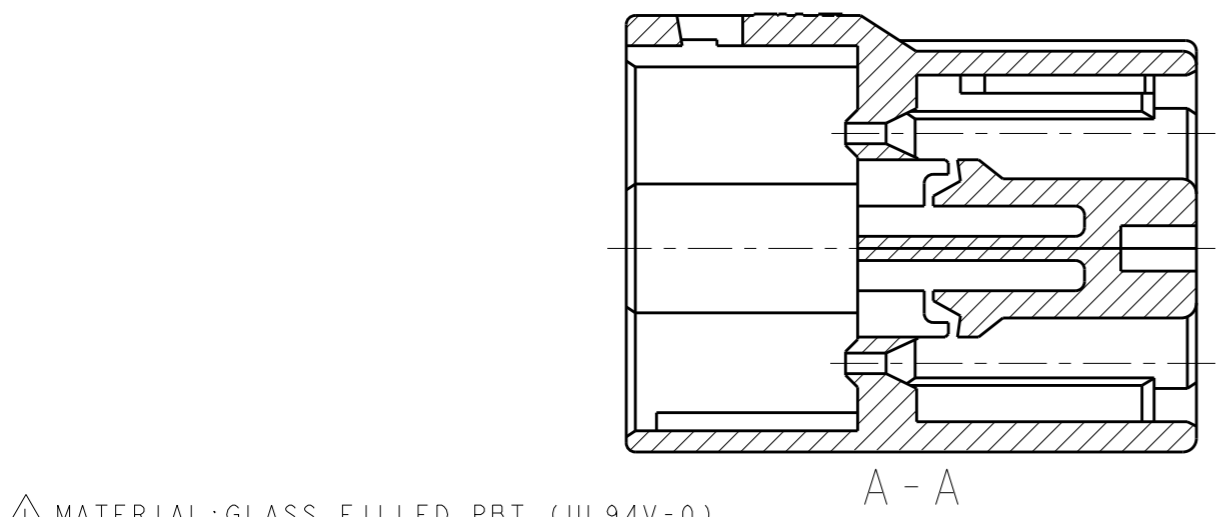
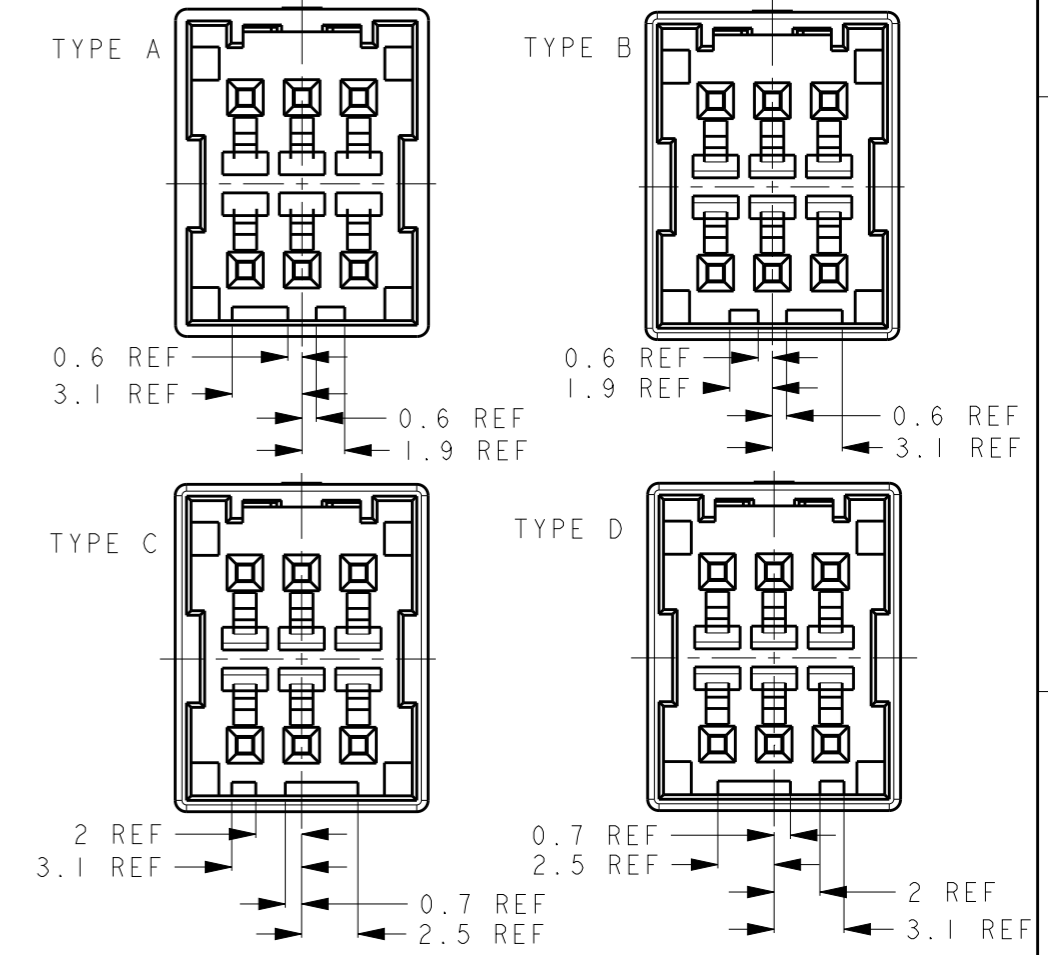


THIS DRAWING IS UNPUBLISHED. RELEASED FOR PUBLICATION 2017
 © COPYRIGHT 2017 ALL RIGHTS RESERVED.

REVISIONS					
P	LTR	DESCRIPTION	DATE	DWN	APVD
	A	RELEASED	31JAN2017	K.S	D.Z




TYPE OF KEYING SCALE 3:1



△ MATERIAL: GLASS FILLED PBT (UL94V-0)
 △ MATING HOUSING P/N: SEE TABLE
 3 APPLICABLE CONTACT: 2232575-1

2232570-1	TYPE A	NATURAL	2232573-1
△ MATING HSG P/N	TYPE OF KEYING	COLOR	PART NUMBER

THIS DRAWING IS A CONTROLLED DOCUMENT.		DWN K. SAKAI 31JAN2017	 TE Connectivity GRACE INERTIA CONNECTOR 2.5W CAP HOUSING 6P	
DIMENSIONS: mm		CHK DANIEL ZHANG 31JAN2017		
TOLERANCES UNLESS OTHERWISE SPECIFIED: ± 0.3		APVD DANIEL ZHANG 31JAN2017		
0 PLC ± 1 PLC ± 2 PLC ± 3 PLC ± 4 PLC ± ANGLES ±		PRODUCT SPEC 108-78350		
MATERIAL		FINISH	APPLICATION SPEC	NAME
△			WEIGHT 1.86	SIZE A300779
			CUSTOMER DRAWING	DRAWING NO C-2232573
				RESTRICTED TO -
				SCALE 4:1
				SHEET 1
				OF 1
				REV A