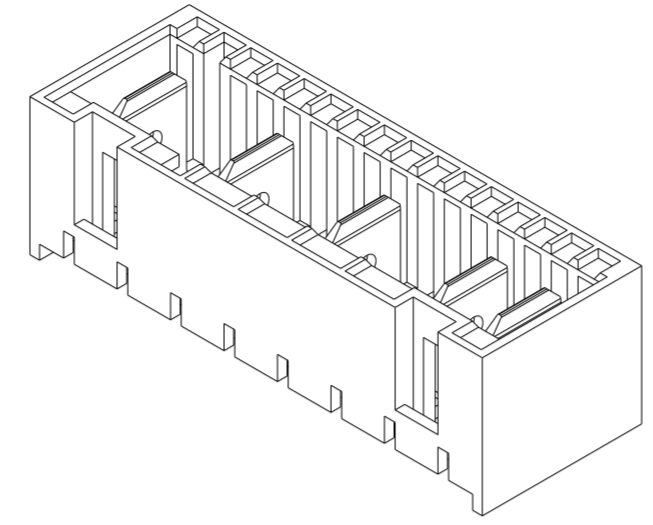
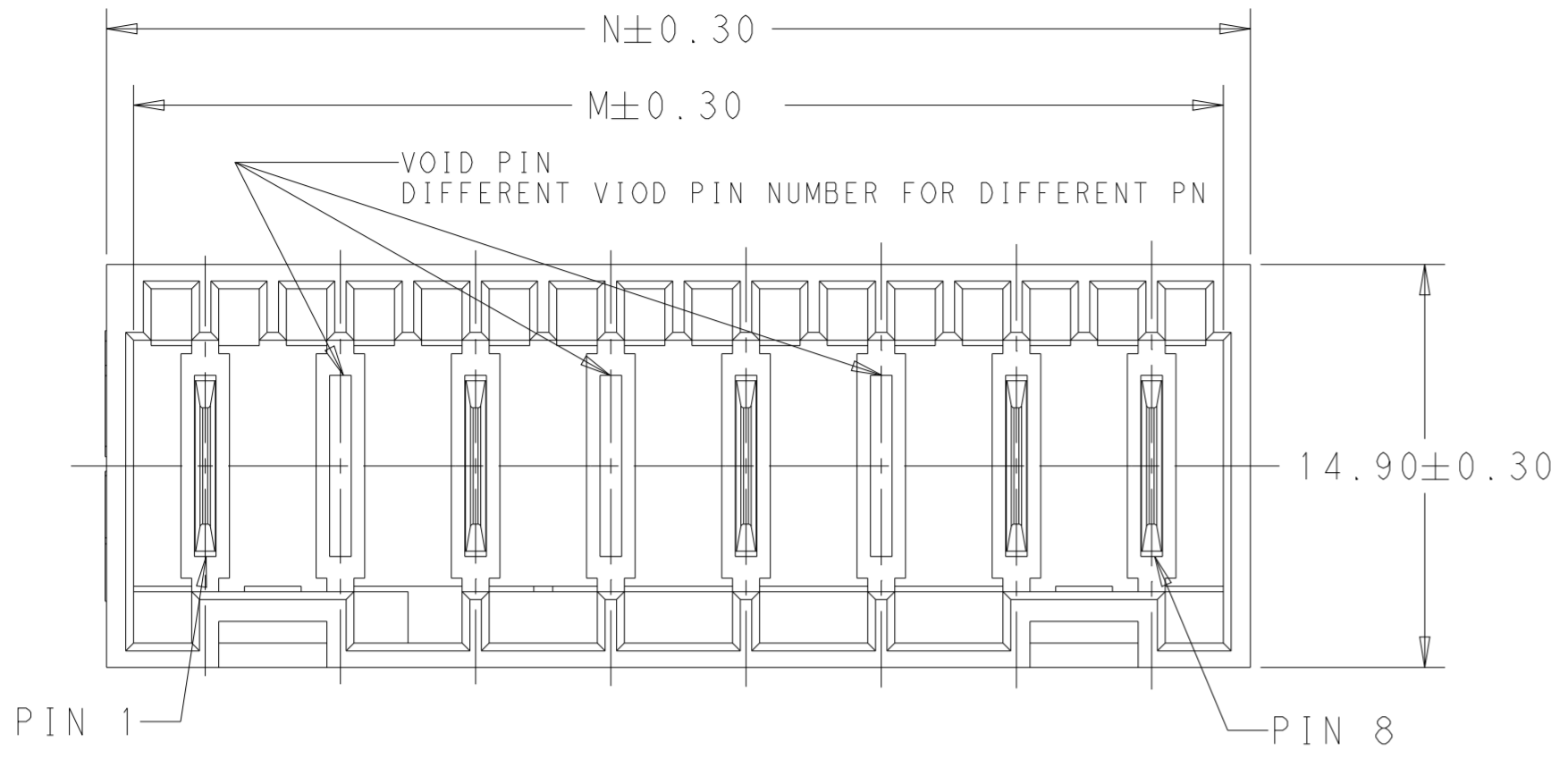
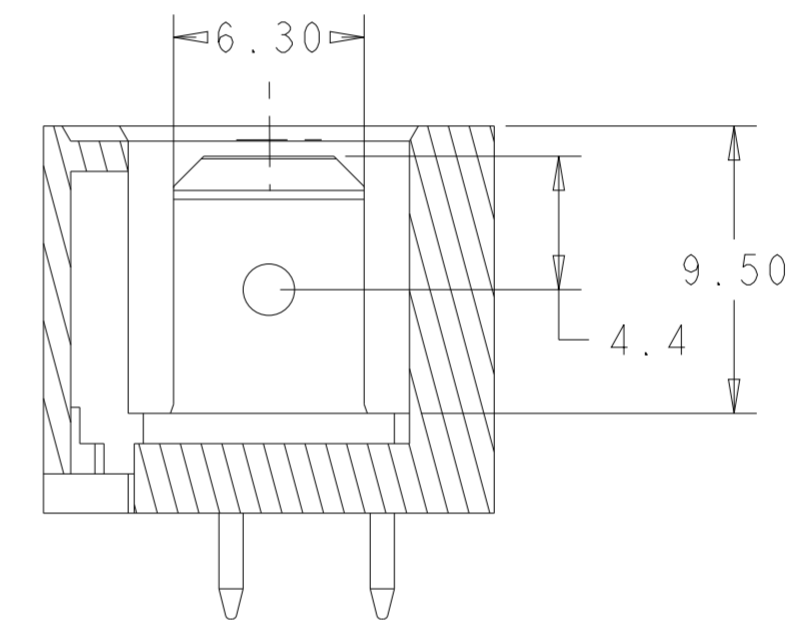
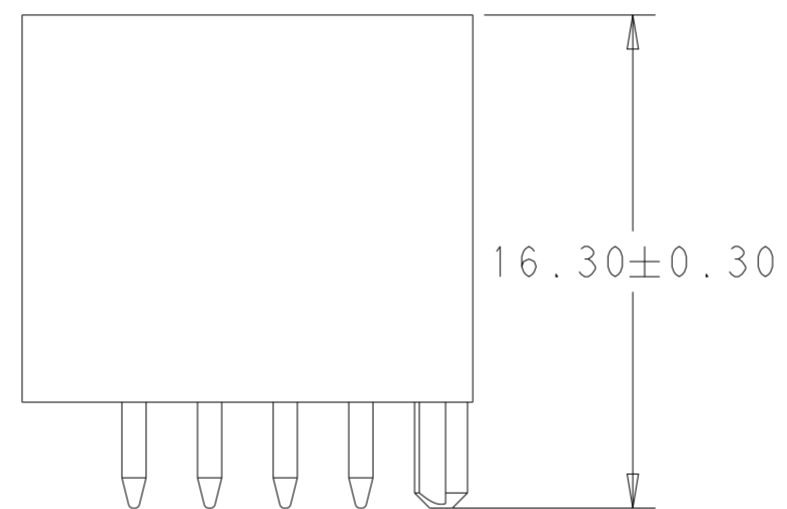
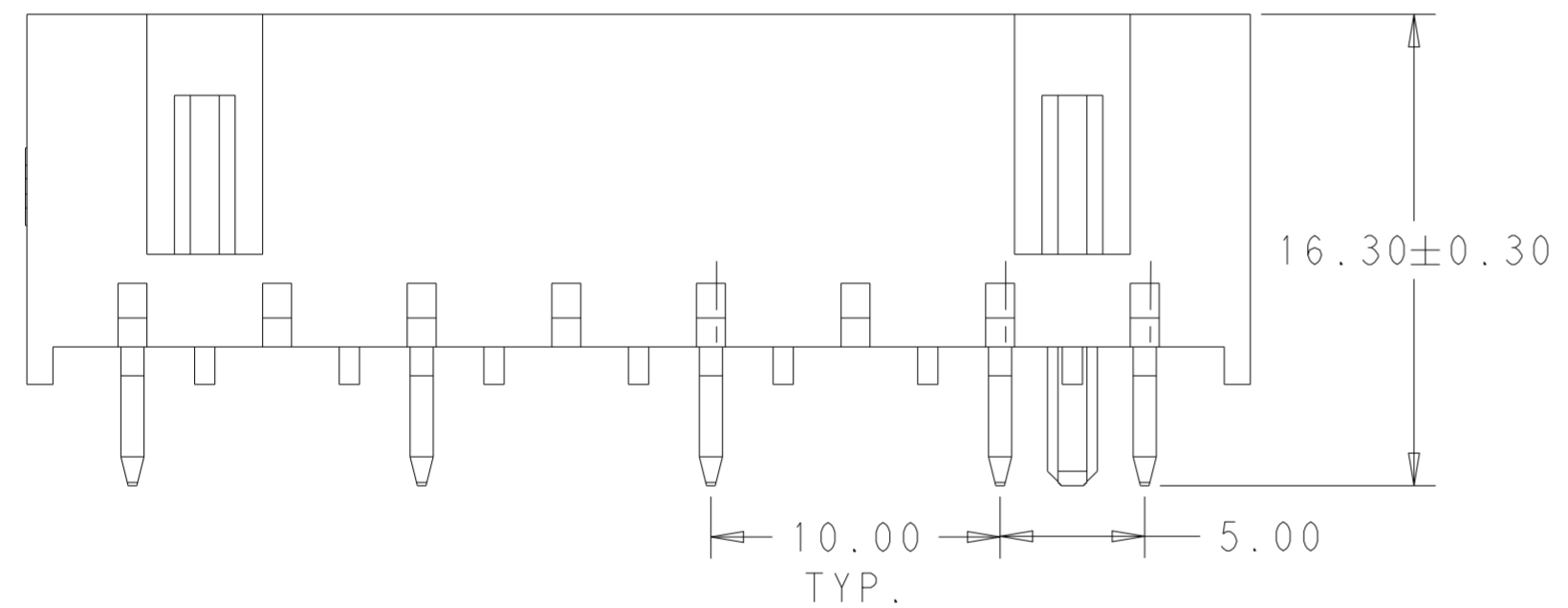


THIS DRAWING IS UNPUBLISHED. RELEASED FOR PUBLICATION 20  
 © COPYRIGHT 20 BY - ALL RIGHT REVERSED ALL RIGHTS RESERVED.

| LOC |     | DIST                      |  | REVISIONS |     |      |  |
|-----|-----|---------------------------|--|-----------|-----|------|--|
| P   | LTR | DESCRIPTION               |  | DATE      | DWN | APVD |  |
| C1  |     | ECR-21-118862             |  | 10NOV2021 | SM  | FL   |  |
| C2  |     | ECR-24-203008             |  | 22MAR2024 | SM  | FL   |  |
| C3  |     | REVISED PER ECR-24-203868 |  | 26MAR2024 | MV  | CD   |  |
| C4  |     | ECR-24-205322             |  | 16APR2024 | SM  | FL   |  |

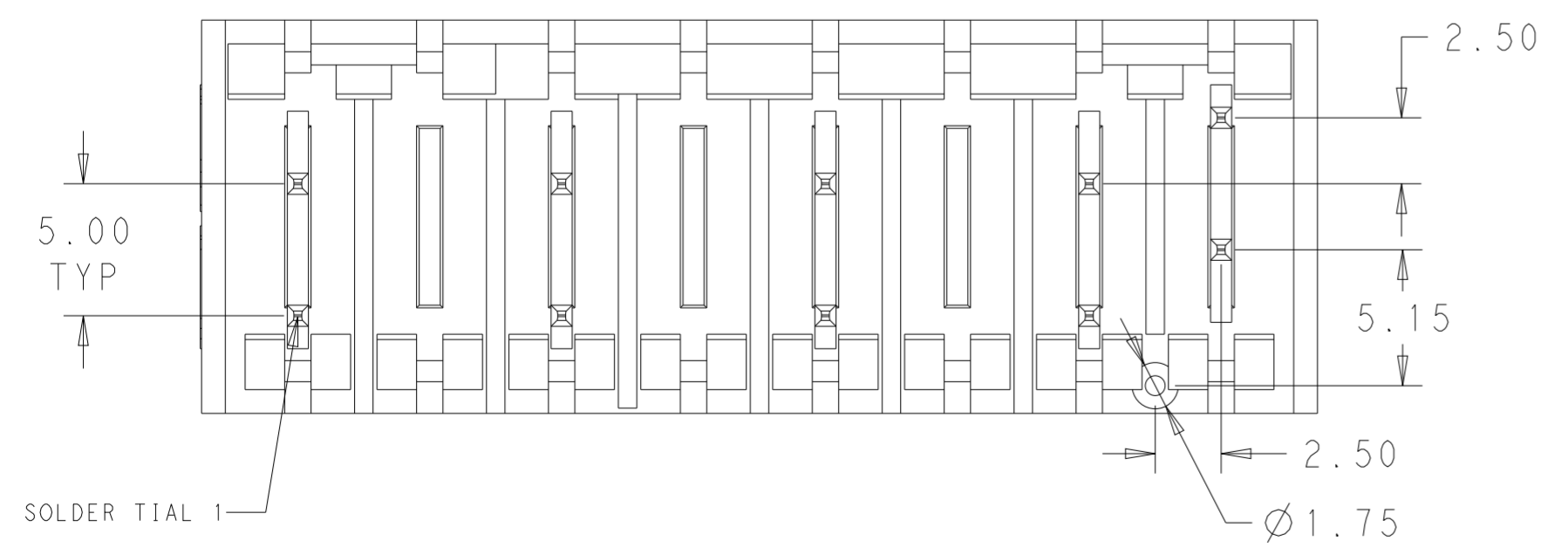


- HOUSING HAS RAST 5 COMPLIANT KEYING LATCHING, AND POLARIZATION, TAB IS 6.30 x 0.8mm ACCORDING TO DIN 46224
- MATERIAL: HOUSING NYLON, UL94 V0, 750 °C GWT NO FLAME
- FINISH: CONTACTS, TIN PLATING OVERALL , NICKEL UNDER-PLATING
- PACKING: LOOSE PIECE OR TUBE. THE PART NUMBER IN THIS DRAWING ARE WITH LOOSE PIECE PACKING. PLEASE CONTACT TE SALES REPRESENTATIVES FOR TUBE PACKING REQUIREMENT.
- PRELIMINARY, NOT FOR PRODUCTION.
- MATERIAL: HOUSING PA66,UL94 V0  
PRODUCT COMPLY WITH GLOW WIRE REQUIREMENTS FOR PARTS OF NON-METALLIC MATERIAL SUPPORTING A CURRENT-CARRYING CONNECTION DETAILED IN IEC 60335-1, SECTION 30 (GWT).
- FINISH:CONTACT, SILVER PLATING OVERALL, NICKEL UNDER-PLATING.
- SPECIAL VERSION: SHORT PEG DESIGN, DETAIL IN SHEET 3
- PART NUMBER WITH TUBE PACKAGING.
- MATERIAL: PA66 GF, UL94 V0, 750°C GWT NO FLAME



SECTION A-A

TOOL MARK ON TERMINAL SURFACE IS ACCEPTABLE WHICH DOES NOT IMPACT FUNCTION



|       |       |            |
|-------|-------|------------|
| 42.30 | 40.30 | 8          |
| 37.30 | 35.30 | 7          |
| 32.30 | 30.30 | 6          |
| 27.30 | 25.30 | 5          |
| 22.30 | 20.30 | 4          |
| 17.30 | 15.30 | 3          |
| 12.30 | 10.30 | 2          |
| N     | M     | NO.OF POS. |

THIS DRAWING IS A CONTROLLED DOCUMENT.

|                  |     |           |
|------------------|-----|-----------|
| DWN              | B.P | APR162013 |
| CHK              | F.M | APR162013 |
| APVD             |     | APR162013 |
| PRODUCT SPEC     |     |           |
| 108-106080       |     |           |
| APPLICATION SPEC |     |           |
| -                |     |           |
| WEIGHT           |     |           |
| -                |     |           |
| CUSTOMER DRAWING |     |           |

TE Connectivity

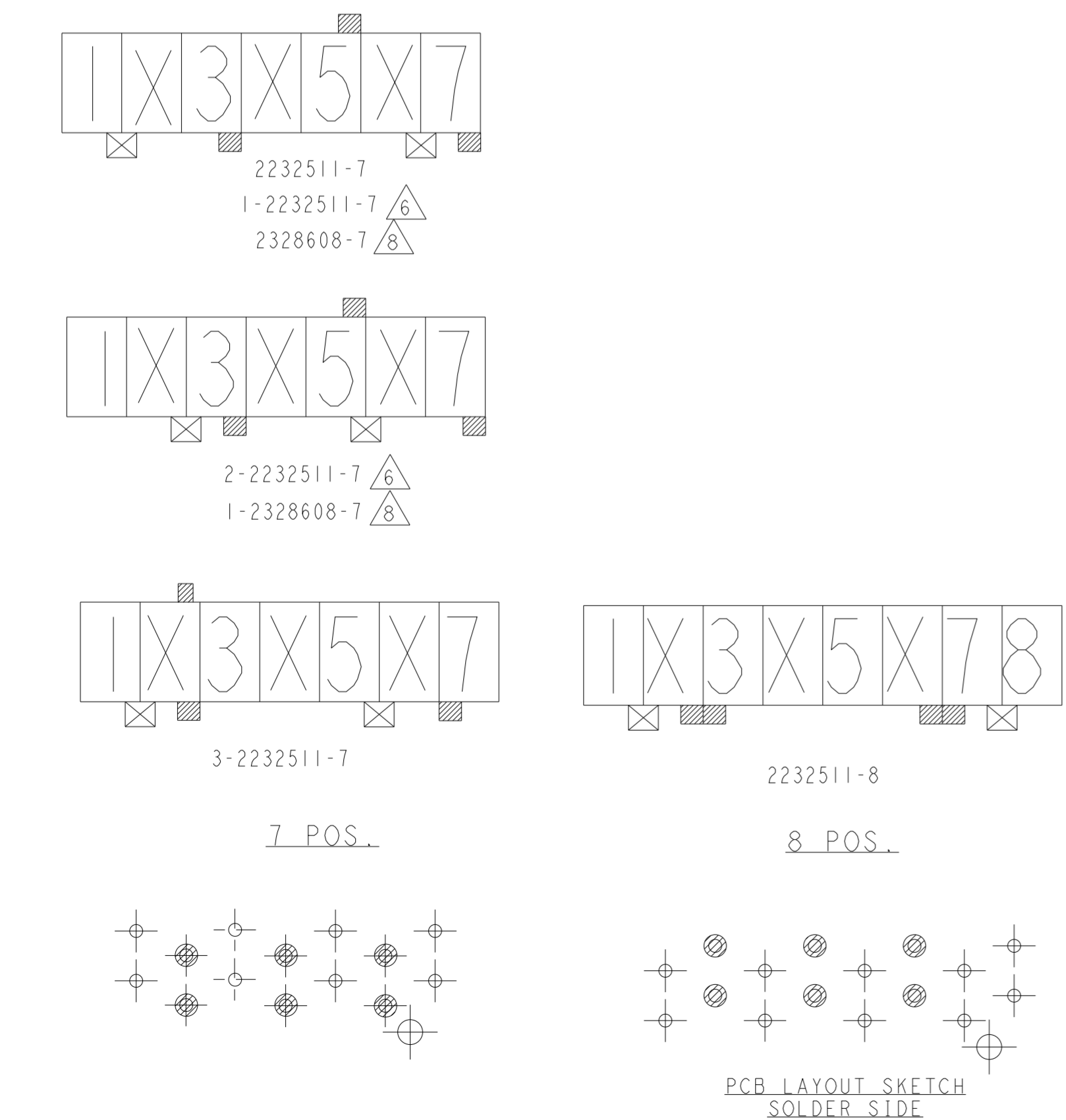
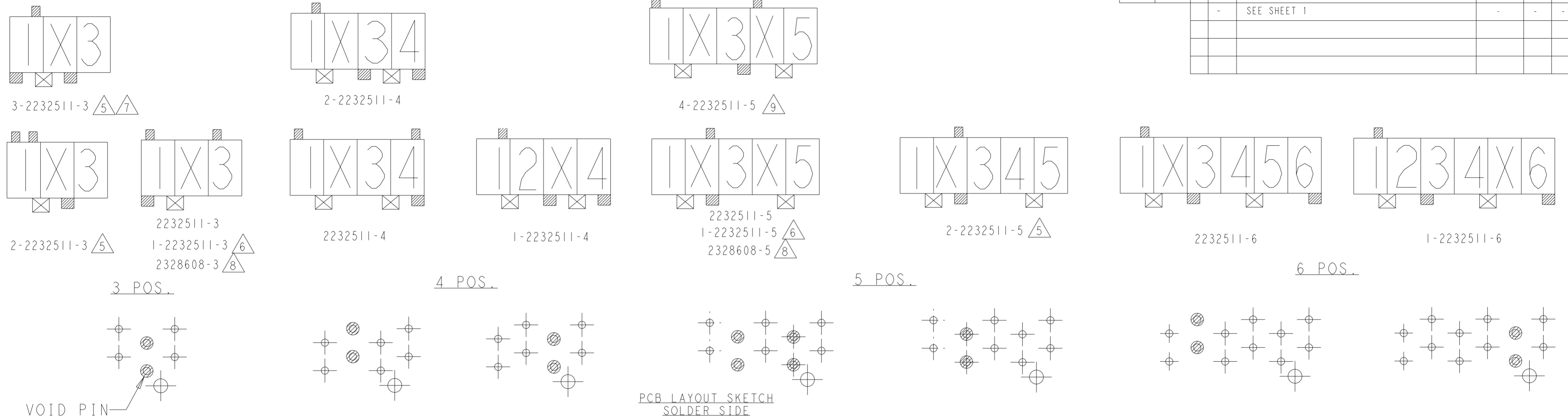
NAME: RAST 5 TAB HEADER ASSY  
DIN STYLE, TH, VERTICAL

|      |           |            |               |
|------|-----------|------------|---------------|
| SIZE | CAGE CODE | DRAWING NO | RESTRICTED TO |
| A2   | 00779     | C-2232511  |               |

SCALE 4:1 SHEET 1 OF 4 REV C4

THIS DRAWING IS UNPUBLISHED. RELEASED FOR PUBLICATION 20  
 © COPYRIGHT 20 BY - ALL RIGHT REVERSED ALL RIGHTS RESERVED.

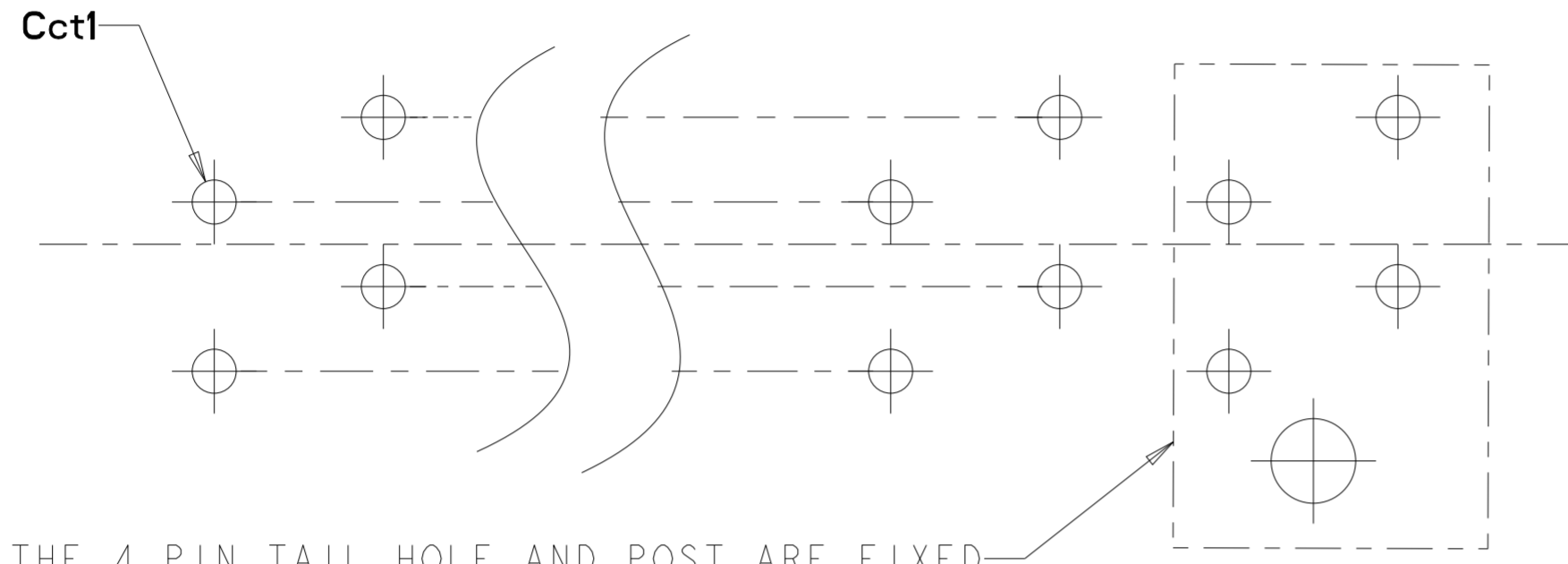
| LOC |     | DIST        |  | REVISIONS |     |      |  |
|-----|-----|-------------|--|-----------|-----|------|--|
| P   | LTR | DESCRIPTION |  | DATE      | DWN | APVD |  |
| -   | -   | SEE SHEET 1 |  | -         | -   | -    |  |
|     |     |             |  |           |     |      |  |
|     |     |             |  |           |     |      |  |



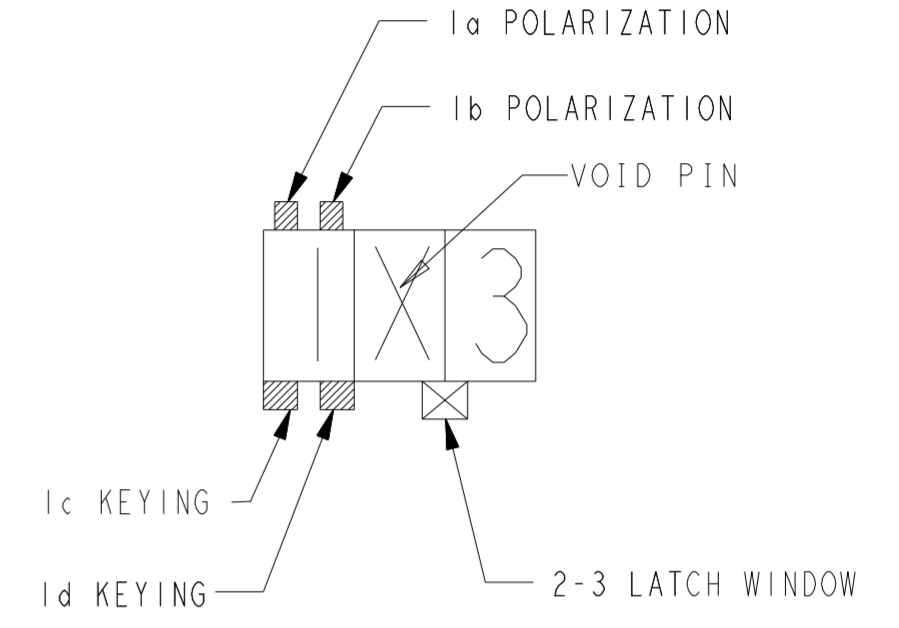
|  |  |                         |   |  |
|--|--|-------------------------|---|--|
| THIS DRAWING IS A CONTROLLED DOCUMENT. |  | DWN B.P. APR162013      | TE Connectivity                                     |  |
| DIMENSIONS: mm                         |  | CHK - 24SEP2013         |   |  |
| TOLERANCES UNLESS OTHERWISE SPECIFIED: |  | APVD - 24SEP2013        | NAME RAST 5 TAB HEADER ASSY DIN STYLE, TH, VERTICAL |  |
| 0 PLC ±                                |  | PRODUCT SPEC 108-106080 | SIZE CAGE CODE DRAWING NO RESTRICTED TO             |  |
| 1 PLC ±0.5                             |  | APPLICATION SPEC -      | A200779 C-2232511                                   |  |
| 2 PLC ±0.13                            |  | WEIGHT -                | SCALE 4:1 SHEET 2 OF 4 REV C4                       |  |
| 3 PLC ±0.013                           |  | CUSTOMER DRAWING        |   |  |
| 4 PLC ±0.0001                          |  |                         |   |  |
| ANGLES ±                               |  |                         |   |  |
| FINISH -                               |  |                         |   |  |

THIS DRAWING IS UNPUBLISHED. RELEASED FOR PUBLICATION 20  
 © COPYRIGHT 20 BY - ALL RIGHT REVERSED ALL RIGHTS RESERVED.

| REVISIONS |      |   |     |             |      |      |
|-----------|------|---|-----|-------------|------|------|
| LOC       | DIST | P | LTR | DESCRIPTION | DATE | APVD |
| -         | -    | - | -   | SEE SHEET 1 | -    | -    |
|           |      |   |     |             |      |      |
|           |      |   |     |             |      |      |
|           |      |   |     |             |      |      |



THE POSITION OF THE 4 PIN TAIL HOLE AND POST ARE FIXED



PICTORIAL VIEW KEY

RECOMMEND PCB LAYOUT - SOLDER SIDE  
 PCB 1.5± 0.2 THICK

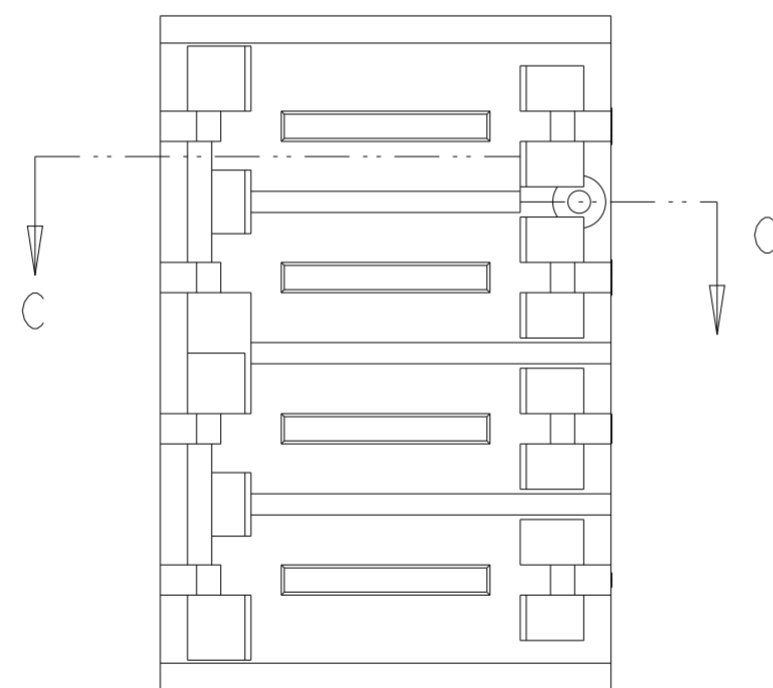
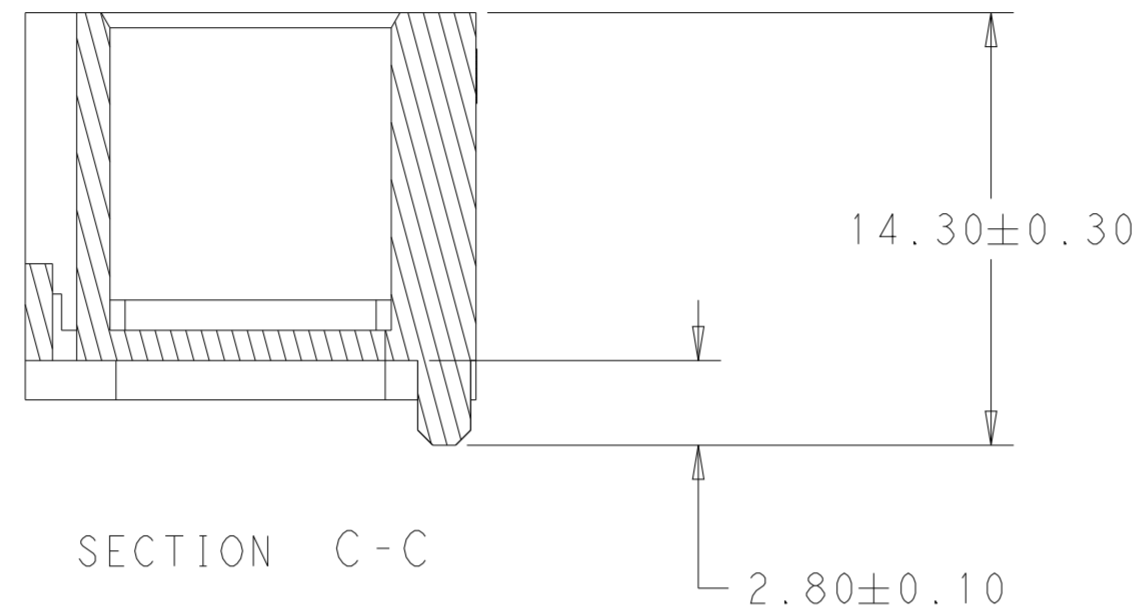
| COLOR | NO. OF POS. | PART NUMBER                           |
|-------|-------------|---------------------------------------|
|       | 8           | 2232511-8                             |
|       | 7           | 3-2232511-7                           |
|       | 7           | 2-2232511-7                           |
|       | 7           | 1-2232511-7                           |
|       | 7           | 2232511-7                             |
|       | 6           | 1-2232511-6                           |
|       | 6           | 2232511-6 <sup>6</sup>                |
|       | 5           | 4-2232511-5                           |
|       | 5           | 2-2232511-5 <sup>9</sup>              |
|       | 5           | 1-2232511-5 <sup>5</sup>              |
|       | 5           | 2232511-5 <sup>6</sup>                |
|       | 4           | 2-2232511-4                           |
|       | 4           | 1-2232511-4                           |
|       | 4           | 2232511-4 <sup>5</sup>                |
|       | 3           | 3-2232511-3 <sup>5</sup> <sup>7</sup> |
|       | 3           | 2-2232511-3 <sup>5</sup>              |
|       | 3           | 1-2232511-3 <sup>6</sup>              |
|       | 3           | 2232511-3                             |

|   |  |                         |  |                     |
|---|--|-------------------------|--|---------------------|
| THIS DRAWING IS A CONTROLLED DOCUMENT.  |  | DWN B.P APR162013       | <b>STE</b> TE Connectivity                             |                     |
|   |  | CHK - 24SEP2013         |  |                     |
| DIMENSIONS: mm  |  | APVD - 24SEP2013        | NAME RAST 5 TAB HEADER ASSY<br>DIN STYLE, TH, VERTICAL |                     |
| TOLERANCES UNLESS OTHERWISE SPECIFIED:<br>0 PLC ±<br>1 PLC ±0.5<br>2 PLC ±0.13<br>3 PLC ±0.013<br>4 PLC ±0.0001<br>ANGLES ±<br>FINISH |  | PRODUCT SPEC 108-106080 | SIZE A2 CAGE CODE 00779 C-2232511                      |                     |
| MATERIAL -  |  | APPLICATION SPEC -      | DRAWING NO C-2232511                                   |                     |
|   |  | WEIGHT -                | RESTRICTED TO  |                     |
|   |  | CUSTOMER DRAWING        | SCALE 4:1  | SHEET 3 OF 4 REV C4 |

THIS DRAWING IS UNPUBLISHED. RELEASED FOR PUBLICATION 20  
 © COPYRIGHT 20 BY - ALL RIGHT REVERSED ALL RIGHTS RESERVED.

| LOC |     | DIST        |      | REVISIONS |      |  |  |
|-----|-----|-------------|------|-----------|------|--|--|
| P   | LTR | DESCRIPTION | DATE | DWN       | APVD |  |  |
| -   | -   | SEE SHEET 1 | -    | -         | -    |  |  |
|     |     |             |      |           |      |  |  |
|     |     |             |      |           |      |  |  |

△8 SPECIAL VERSION: SHORT PEG DESIGN



OTHER DIMENSIONS SEE SHEET 1  
 KEYING SEE SHEET 2

|        |             |                 |
|--------|-------------|-----------------|
| NATURE | 7           | △10 1-2328608-7 |
|        | 7           | 2328608-7       |
|        | 5           | 2328608-5       |
|        | 3           | 2328608-3       |
| COLOR  | NO. OF POS. | △8 PART NUMBER  |

| THIS DRAWING IS A CONTROLLED DOCUMENT. |  | DWN              | APR162013  | TE Connectivity |   |
|--|--|------------------|------------|-----------------|---|
| DIMENSIONS:                            | TOLERANCES UNLESS OTHERWISE SPECIFIED: | CHK              | APR162013  |                 |   |
| mm                                     | 0 PLC ±                                | APVD             | APR162013  |                 |   |
|  | 1 PLC ±0.5                             | PRODUCT SPEC     | 108-106080 |                 |   |
| MATERIAL                               | FINISH                                 | APPL. SPEC       | -          | NAME            | RAST 5 TAB HEADER ASSY<br>DIN STYLE, TH, VERTICAL |
| -                                      | -                                      | WEIGHT           | -          | SIZE            | A2  |
| -                                      | -                                      | CUSTOMER DRAWING | -          | CAGE CODE       | 00779   |
| -                                      | -                                      | -                | -          | DRAWING NO      | C-2232511   |
| -                                      | -                                      | -                | -          | RESTRICTED TO   | -   |
| -                                      | -                                      | -                | -          | SCALE           | 4:1   |
| -                                      | -                                      | -                | -          | SHEET           | 4 OF 4  |
| -                                      | -                                      | -                | -          | REV             | C4  |