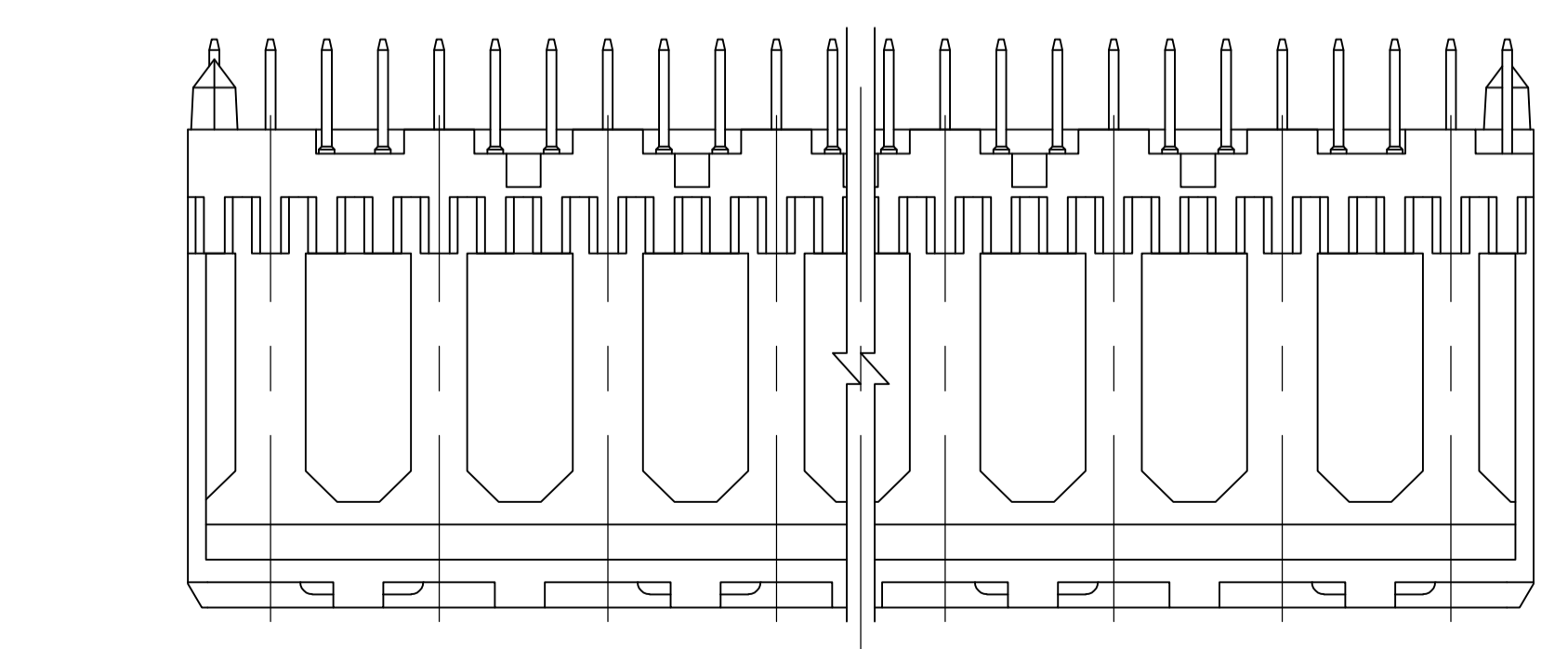
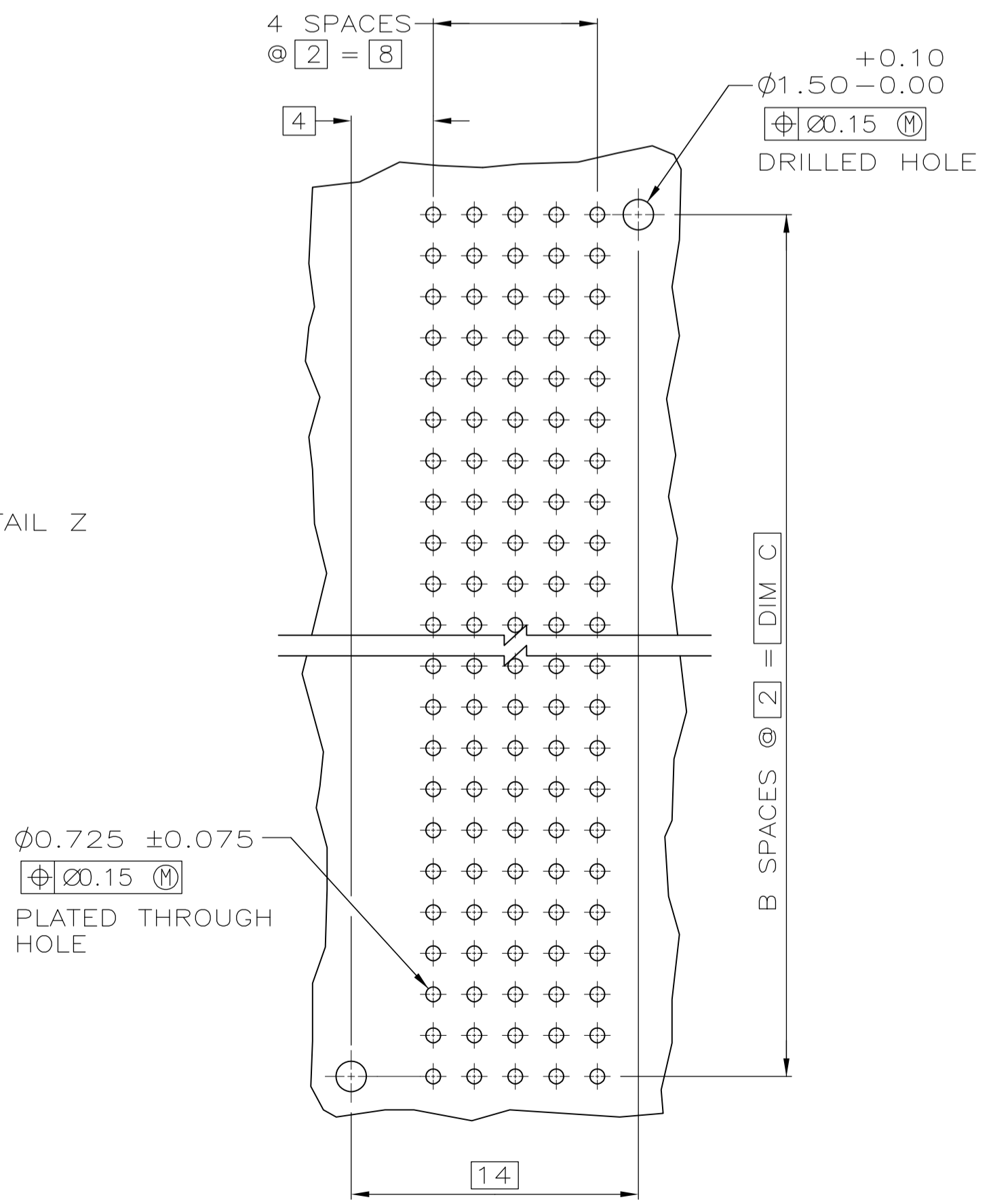
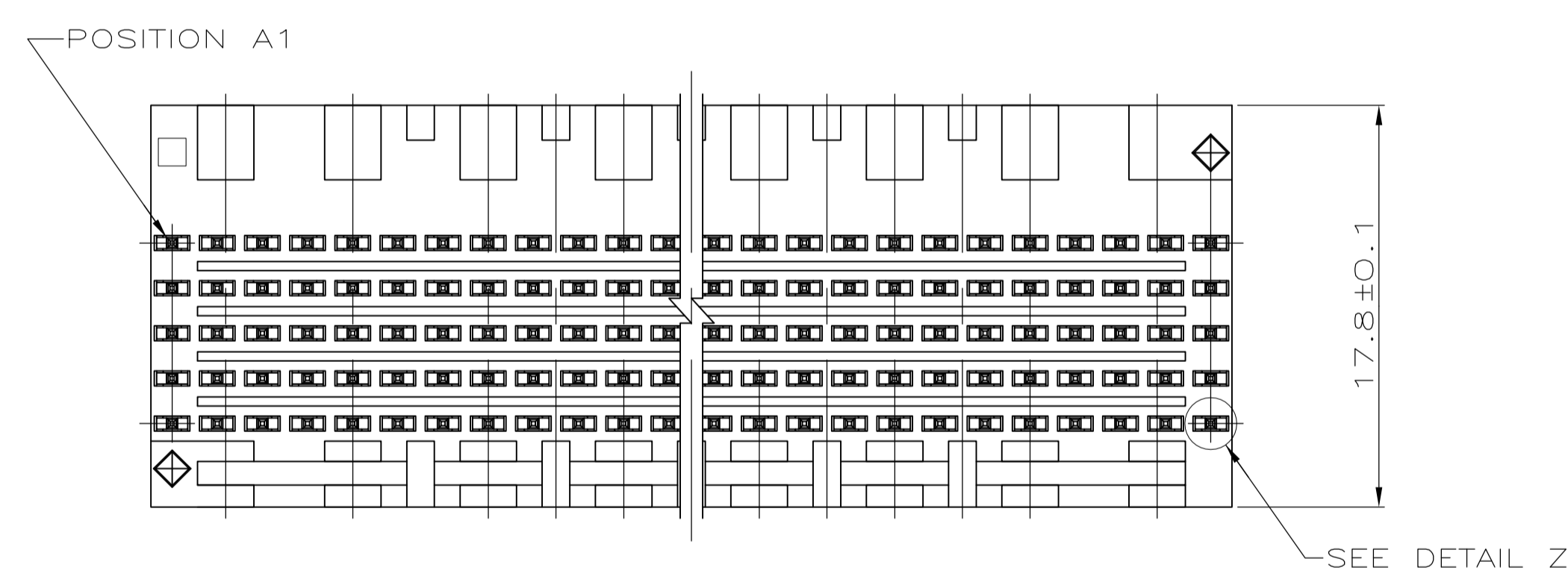
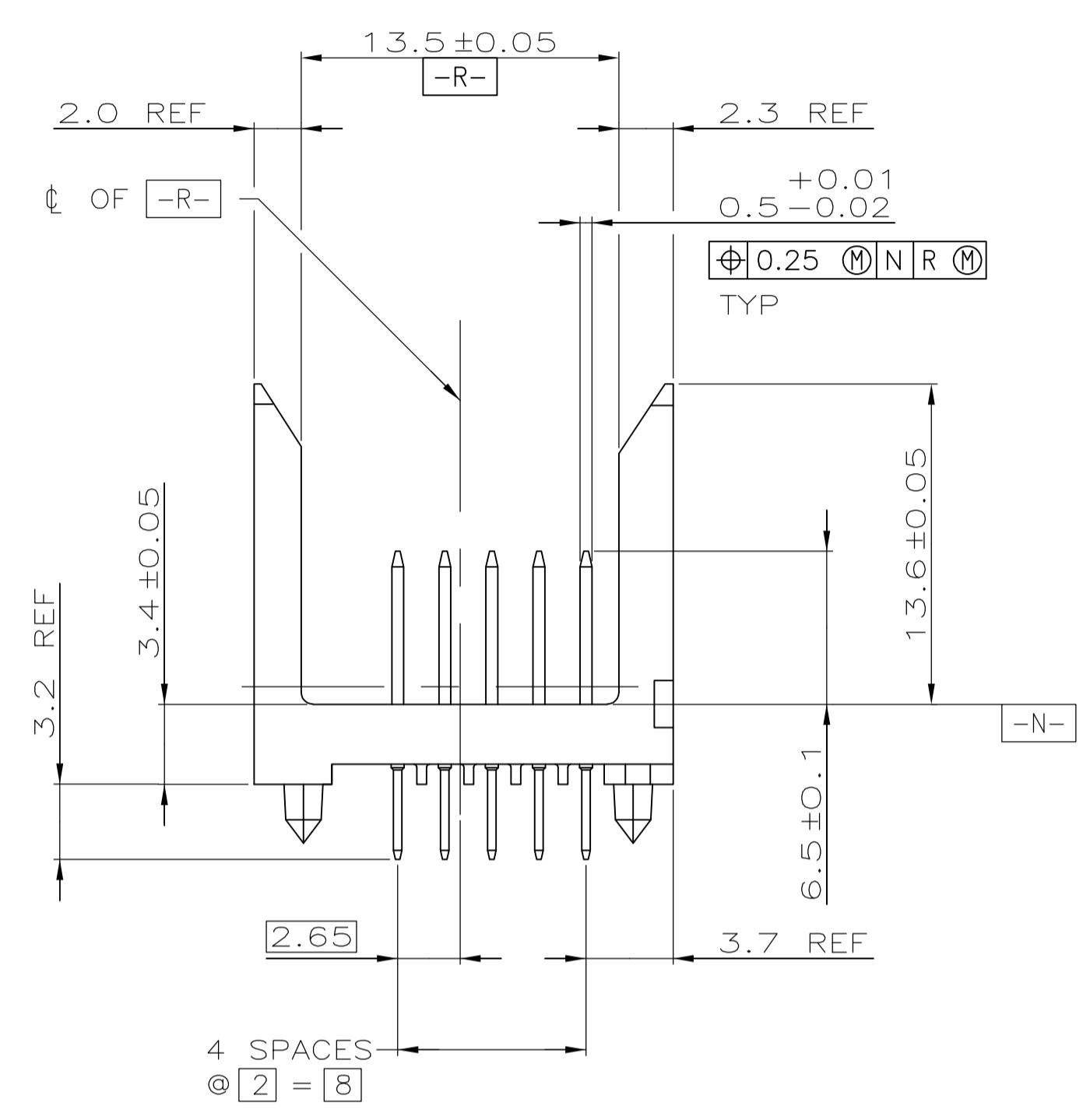
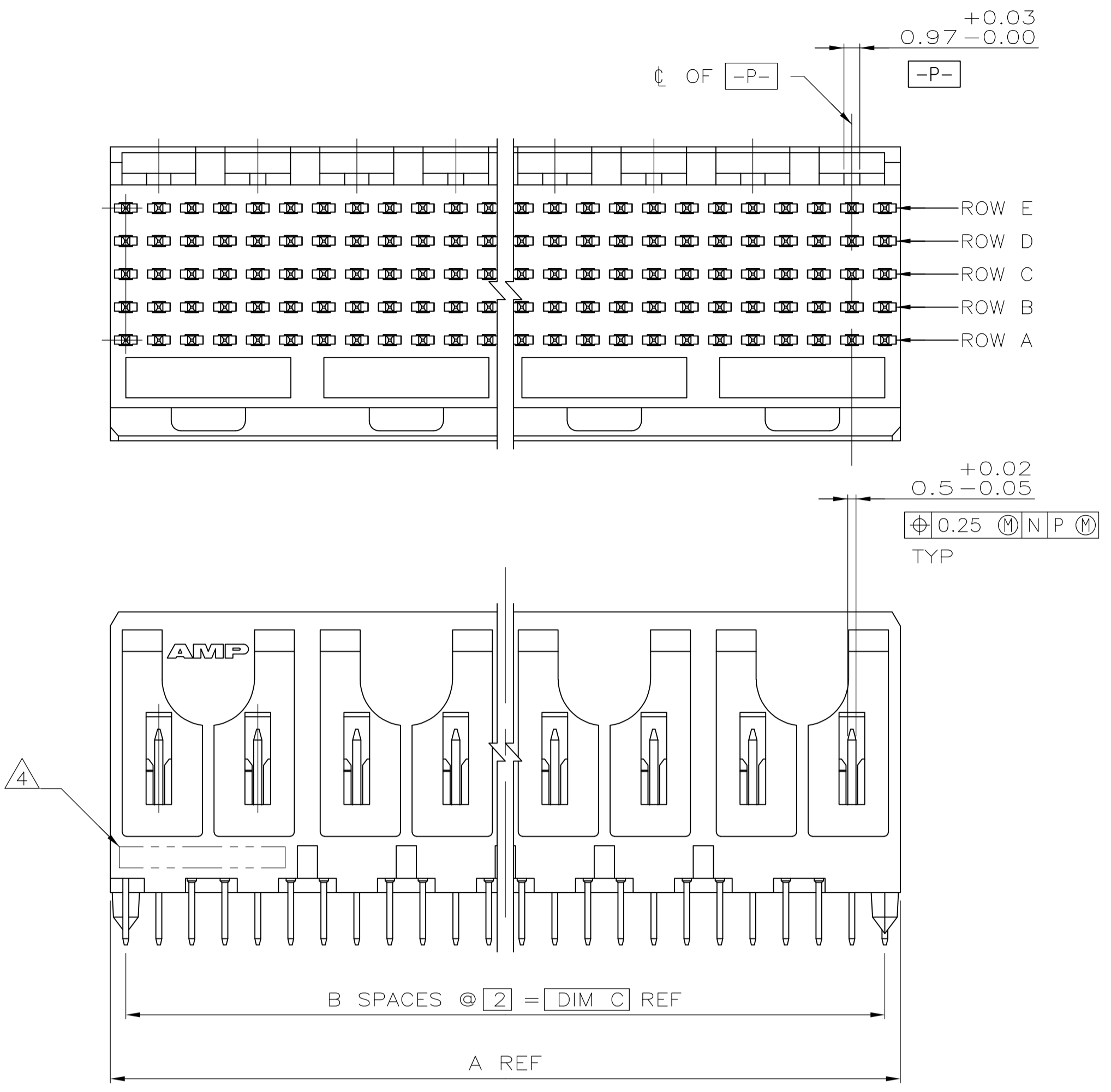
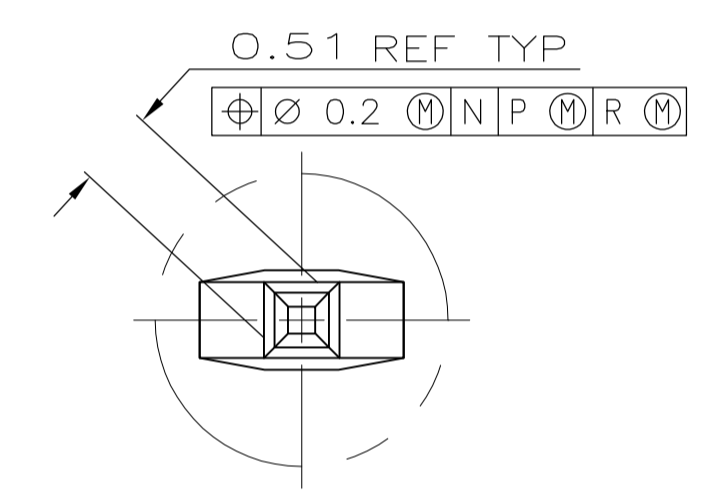


LOC	DIST	REVISIONS			
AD	00	REV	DESCRIPTION	DATE	BY
N		REVISED PER EC 0512-0552-04		22SEP05	JDP DD
N1		REVISED PER ECO-09-021826		08JAN10	KK AEG



RECOMMENDED CIRCUIT PATTERN (COMPONENT SIDE)

- 1 HOUSING MATERIAL: LIQUID CRYSTAL POLYMER
COLOR: NATURAL.
- 2 CONTACT MATERIAL: PHOSPHOR BRONZE
- 3 CONTACT FINISH:
UNDERPLATE (ENTIRE CONTACT):
0.00127 MIN NICKEL.
ON MATING SURFACES:
CONFORMS TO ALL TESTING SPECIFIED FOR TELCORDIA
UNCONTROLLED ENVIRONMENT.
ON LEADS
0.00381 MIN TIN-LEAD OVER UNDERPLATE.
LUBRICATION (ENTIRE CONTACT):
SURFACE CONDITIONER PER AMP SPEC 112-1002 AFTER PLATING.
- 4 PART MARKING LOCATED APPROXIMATELY AS SHOWN.
- 5 OBSOLETE PARTS: OBSOLETE CIS STREAMLINING PER D.RENAUD/D.SINISI



DETAIL Z
SCALE 20:1

	C	B	A	FINISH	NO OF SIGNAL POSN	PART NUMBER
5 OBSOLETE	130	65	131.88	3	330	-1-223013-4
6 OBSOLETE	118	59	119.88	3	300	-1-223013-0
	94	47	95.88	3	240	223013-8
5 OBSOLETE	82	41	83.88	3	210	223013-7
5 OBSOLETE	70	35	71.88	3	180	223013-6
5 OBSOLETE	58	29	59.88	3	150	223013-5
OBSOLETE	46	23	47.88	3	120	223013-4
OBSOLETE	22	11	23.88	3	60	223013-2
OBSOLETE	10	5	11.88	3	30	223013-1

THIS DRAWING IS A CONTROLLED DOCUMENT.

DIN R BUCHHEISTER 06/JUN/96
CHK D BAECHTLE 06/JUN/96
APP'D D BAECHTLE 06/JUN/96

Tyco Electronics Corporation
Harrisburg, PA 17105-3608

NAME ASSEMBLY, PIN, SIGNAL, VERTICAL, Z-PACK 2mm FB, 5 ROW, SOLDER LEAD

PRODUCT SPEC

APPLICATION SPEC

SIZE CAGE CODE DRAWING NO
A1 00779 C=223013

RESTRICTED TO

MATERIAL FINISH WEIGHT

CUSTOMER DRAWING SCALE 4:1 SHEET 1 of 1 REV N1