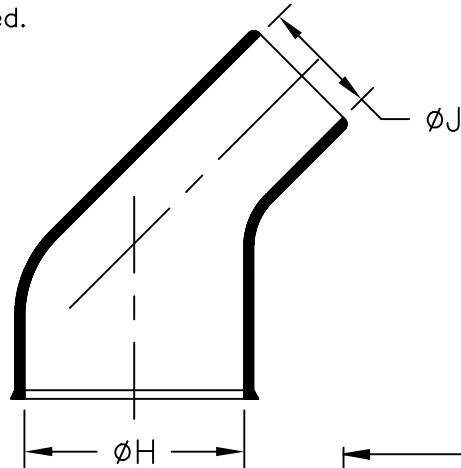


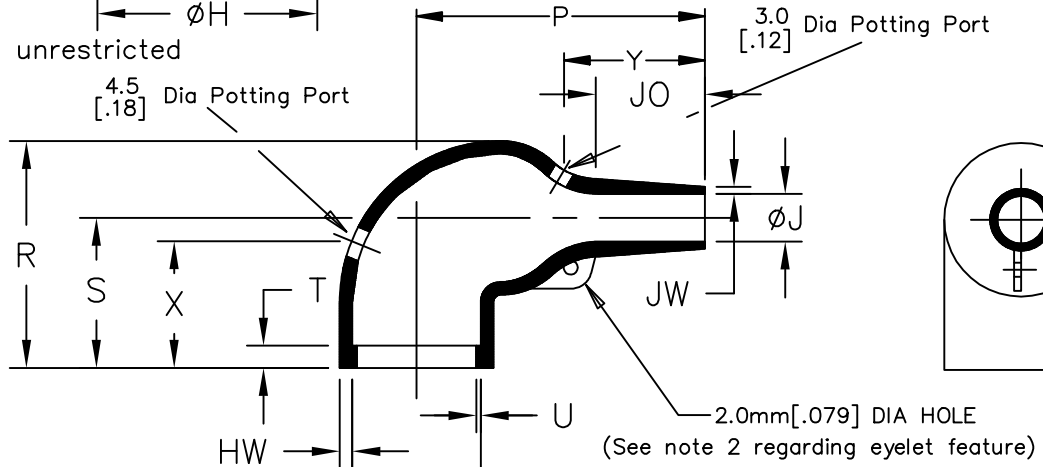
REVISIONS

P	LTR	DESCRIPTION	DATE	DWN	APVD
11		PRODUCTION ISSUE	31JAN2019	PNT	MT

a) Part as supplied.



b) Part after unrestricted recovery.



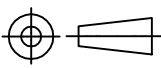
DIMENSIONS in millimetres [in inches, for reference]

Part No.	H		J		P		R		S		T		U		JO		HW		JW		X		Y	
	Min a	Max b	Min a	Max b	±10% b	±10% b	±10% b	±10% b	±10% b	±10% b	±10% b	±10% b	±10% b	±10% b	±20% b	±20% b	±20% b	±20% b	±20% b	±20% b	±20% b	±20% b	±20% b	
222K121	24 [.94]	10.4 [.41]	14 [.55]	5.6 [.22]	25 [.98]	25 [.98]	19 [.75]	3.0 [.12]	1.0 [.04]	8.5 [.33]	1.3 [.05]	0.5 [.02]	18 [.71]	16 [.63]										
222K132	30 [1.18]	14.2 [.56]	15 [.59]	5.9 [.23]	32 [1.26]	27 [1.06]	20 [.79]	3.0 [.12]	1.0 [.04]	8.5 [.33]	1.5 [.06]	0.8 [.03]	18 [.71]	20 [.79]										
222K142	31 [1.22]	18.0 [.71]	18 [.71]	7.1 [.28]	39 [1.54]	31 [1.22]	21 [.83]	3.0 [.12]	1.0 [.04]	15.0 [.59]	1.8 [.07]	1.0 [.04]	18 [.71]	20 [.79]										
222K152	36 [1.42]	22.4 [.88]	21 [.83]	8.4 [.33]	46 [1.81]	38 [1.50]	26 [1.02]	3.0 [.12]	1.0 [.04]	16.0 [.63]	1.8 [.07]	1.0 [.04]	25 [.98]	25 [.98]										
222K163	43 [1.69]	28.2 [1.11]	25 [.98]	9.9 [.39]	55 [2.17]	45 [1.77]	30 [1.18]	3.0 [.12]	1.7 [.07]	17.5 [.69]	2.0 [.08]	1.0 [.04]	25 [.98]	30 [1.18]										
222K174	60 [2.36]	35.1 [1.38]	39 [1.54]	15.7 [.62]	80 [3.15]	54 [2.13]	35 [1.38]	3.0 [.12]	1.7 [.07]	32.0 [1.26]	3.3 [.13]	1.5 [.06]	25 [.98]	45 [1.77]										
222K185	66 [2.60]	44.5 [1.75]	42 [1.65]	16.8 [.66]	108 [4.25]	68 [2.68]	42 [1.65]	3.0 [.12]	2.0 [.08]	48.0 [1.89]	3.8 [.15]	2.0 [.08]	35 [1.38]	70 [2.76]										

RELEASED FOR PUBLICATION
ALL RIGHTS RESERVED.

THIS DRAWING IS UNPUBLISHED.

© COPYRIGHT - TE Connectivity Ltd.

DIMENSIONS: mm [INCHES]	DWN	31JAN2019	MATERIAL	SEE SHEET 2	FINISH	-
	CHK	31JAN2019	PRAVEEN N T			
TOLERANCES UNLESS OTHERWISE SPECIFIED:	APVD	31JAN2019	N NAGAR			
	PRODUCT SPEC	M TAYLOR				
0 PLC ± - 1 PLC ± - 2 PLC ± - 3 PLC ± - 4 PLC ± - ANGLES ± -	APPLICATION SPEC	-				
	WEIGHT	-				
	CUSTOMER DRAWING	A4 00779		DRAWING NO		RESTRICTED TO
		C= 222K1XX-12-0				-
	SCALE	DNS	SHEET	1 OF 2	REV	11

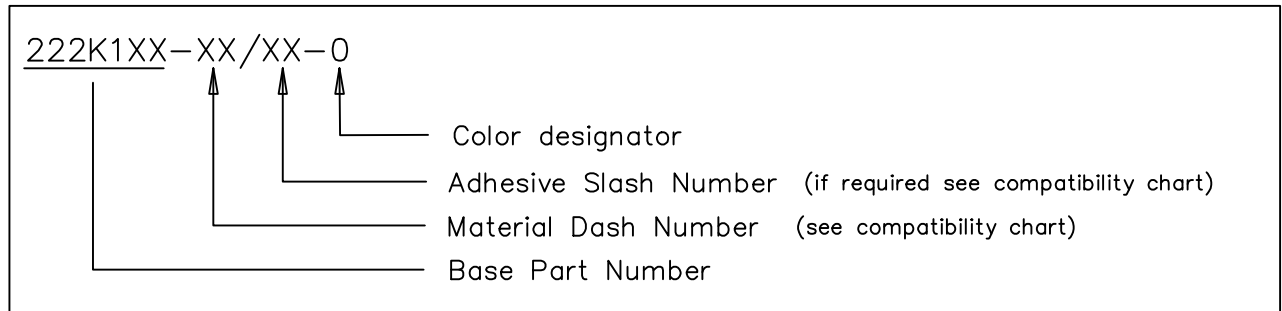
REVISIONS

P	LTR	DESCRIPTION	DATE	DWN	APVD
-	-	SEE SHEET 1	-	-	-

COMPATIBILITY CHART

MATERIAL DASH NO.	MATERIAL DESCRIPTION	RT SPEC	COATING SLASH NO.	COATING S NO.
-12	Fluoroelastomer, flexible	RT-1312	N/A	N/A

Ordering Information



NOTES

- 1) Potting Ports are optional, when specified by suffix "-00" they will be located as shown.
- 2) If eyelet feature is required, add CS-1863 to description:-
222K132-12-CS-1836-0
If eyelet feature and clip is required, add CS-1858 to description:-
222K132-12-CS-1858-0
- 3) As supplied dimensions are for uncoated parts, when coating is added entry diameters will reduce by 1.5mm[.06] Max.

THIS DRAWING IS UNPUBLISHED. ALL RIGHTS RESERVED. © COPYRIGHT - TE Connectivity Ltd.

DIMENSIONS: mm [INCHES]	DWN PRAVEEN N T 31JAN2019	MATERIAL	-	FINISH	-
	CHK N NAGAR 31JAN2019	TE Connectivity Ltd.			
TOLERANCES UNLESS OTHERWISE SPECIFIED: 0 PLC ± - 1 PLC ± - 2 PLC ± - 3 PLC ± - 4 PLC ± - ANGLES ± -	APVD M TAYLOR 31JAN2019				
PRODUCT SPEC -		SIZE A4	CAGE CODE 00779	DRAWING NO C-222K1XX-12-0	RESTRICTED TO -
APPLICATION SPEC -		WEIGHT			
CUSTOMER DRAWING			SCALE DNS	SHEET 2 OF 2	REV 11