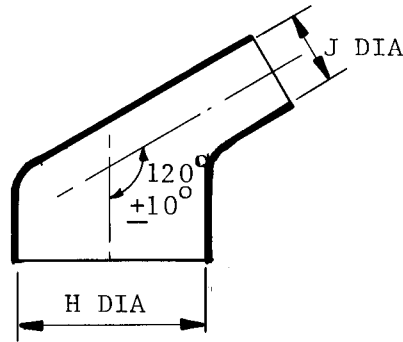
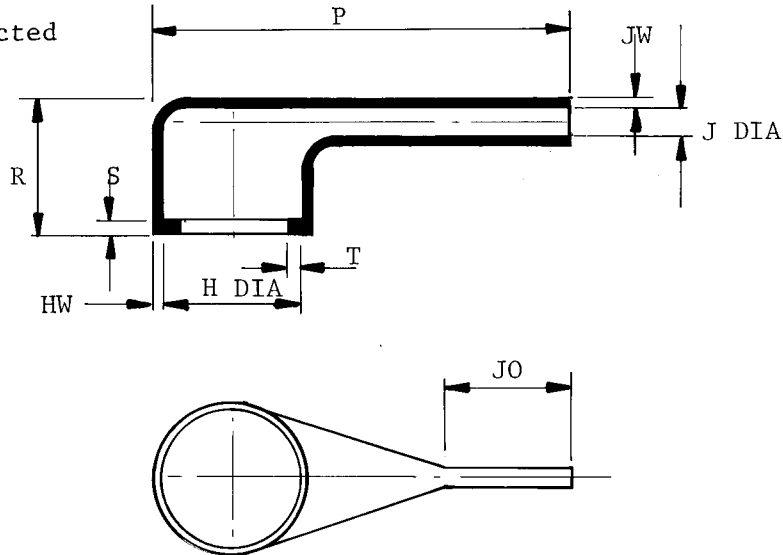


222D932-4-G06

a) Part as supplied



b) Part after unrestricted recovery.



Dimensions in millimetres

PART NO	H		J		P	R	S	T	JO	HW	JW
	MIN a	MAX b	MIN a	MAX b	$\frac{+10\%}{b}$	$\frac{+10\%}{b}$	$\frac{+10\%}{b}$	$\frac{+10\%}{b}$	$\frac{+10\%}{b}$	$\frac{+20\%}{b}$	$\frac{+20\%}{b}$
222D932 -4-G06	26	19.1	8	2.6	55	18	3.0	1.0	17	1.8	1.1

**Copyright(!)  
Urheberrechte**

The copyright in this drawing is the property of Raychem Ltd. The drawing is issued on condition that it is not copied, reproduced, or disclosed to a third party, either in whole or in part without the prior written consent of Raychem Ltd.

Drawn M.HERMAN Checked *HL* Issue 1 Date February '86

Conforms to ISO Recommendations  
3rd Angle Projection  
Not to scale

Approval  
Design

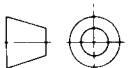
*SR*

MKTG

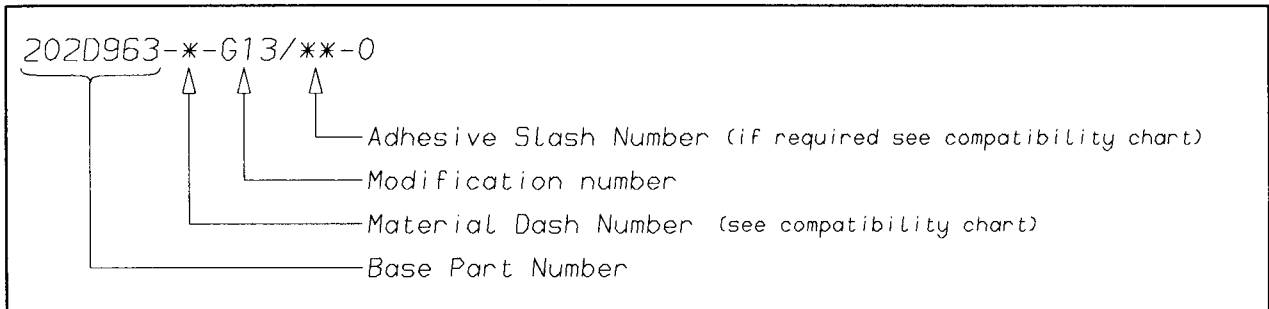
*SR*

Q.C.

*SR*



## Ordering Information



## COMPATIBILITY CHART

MATERIAL DASH NUMBER	MATERIAL DESCRIPTION	COATING SLASH NUMBER
-3	POLYOLEFIN, SEMI-RIGID	/42, /86
-4	POLYOLEFIN, FLEXIBLE	/42, /86
-25	ELASTOMER, FLUID RESISTANT	/86, /225

AS SUPPLIED DIMENSIONS ARE FOR UNCOATED PARTS,  
WHEN COATING IS ADDED, ENTRY DIAMETERS WILL REDUCE BY 1.5mm MAX.