

REVISIONS				
P	LTR	DESCRIPTION	DATE	APVD
	E	PRODUCTION ISSUE	01FEB2019	MT

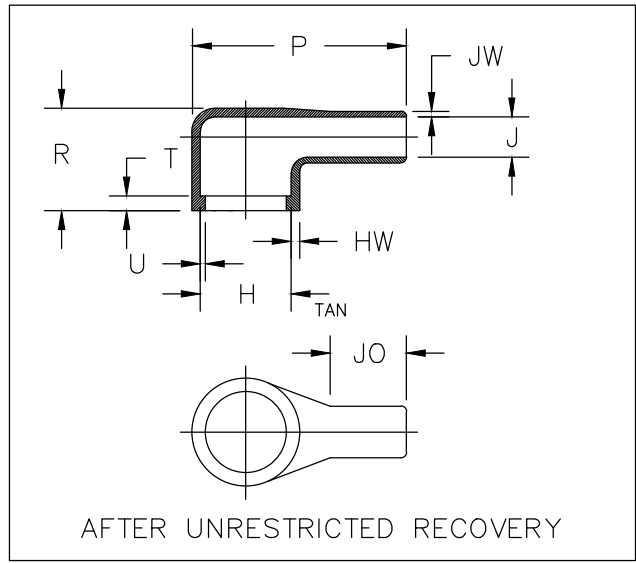
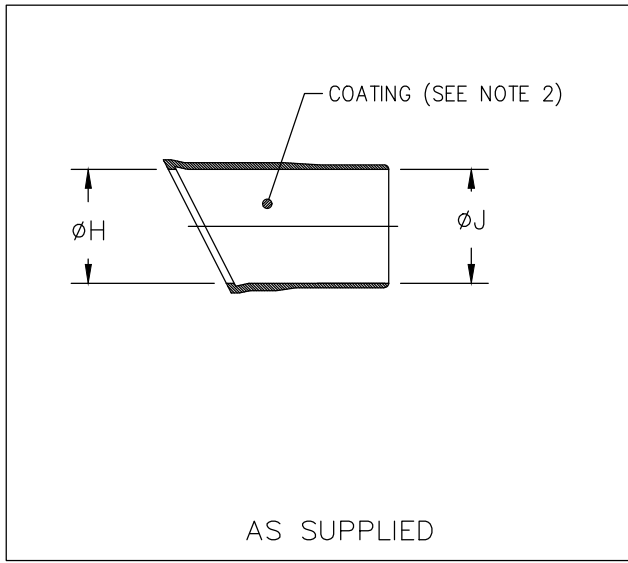


TABLE OF DIMENSIONS

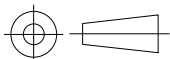
PART NUMBER	H		J		P ±10% b	R Ref b	T Ref b	U Ref b	JO Ref b	HW ±20% b	JW ±20% b
	Min a	Max b	Min a	Max b							
222D211-X-01	22.3 [.88]	5.1 [.45]	22.3 [.88]	6.3 [.25]	48.2 [1.90]	18.5 [.73]	3.0 [.12]	1.0 [.04]	30.7 [1.21]	1.5 [.06]	1.1 [.045]
222D221-X-01	25.7 [1.01]	15.0 [.59]	25.7 [1.01]	7.4 [.29]	59.9 [2.36]	19.8 [.78]	3.0 [.12]	1.0 [.04]	35.0 [1.38]	1.5 [.06]	1.1 [.045]
222D232-X-01	29.5 [1.16]	18.8 [.74]	29.5 [1.16]	8.4 [.33]	76.2 [3.00]	20.8 [.82]	3.0 [.12]	1.0 [.04]	44.2 [1.74]	1.8 [.07]	1.1 [.045]
222D242-X-01	34.0 [1.34]	22.9 [.90]	34.0 [1.34]	9.7 [.38]	53.3 [2.10]	21.8 [.86]	3.0 [.12]	1.0 [.04]	13.7 [.54]	1.8 [.07]	1.1 [.045]
222D263-X-01	43.7 [1.72]	34.0 [1.34]	43.2 [1.72]	12.2 [.48]	127.0 [5.00]	27.4 [1.08]	3.0 [.12]	1.6 [.065]	82.5 [3.25]	2.0 [.08]	1.1 [.045]

THIS DRAWING IS UNPUBLISHED.

ALL RIGHTS RESERVED.

COPYRIGHT - TE Connectivity Ltd.

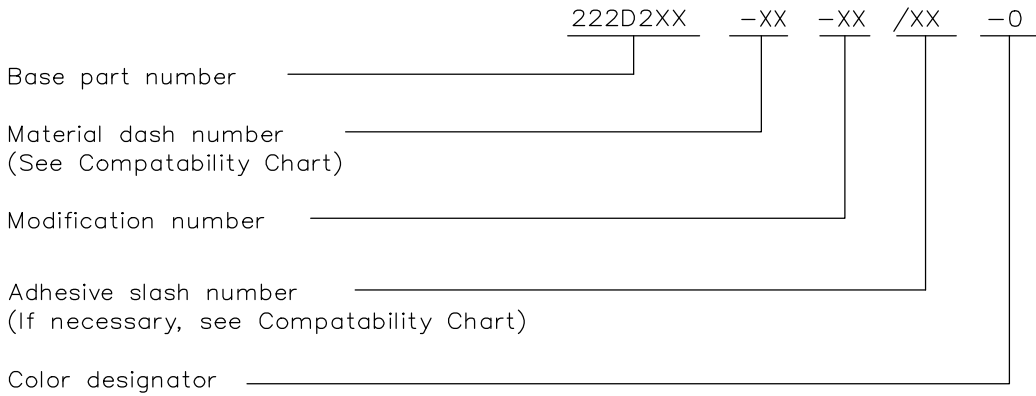
DIMENSIONS: mm [INCHES]	DWN PRAVEEN N T	01FEB2019	MATERIAL	SEE SHEET 2	FINISH	-
	CHK N NAGAR	01FEB2019	TE Connectivity Ltd.			
TOLERANCES UNLESS OTHERWISE SPECIFIED:	APVD M TAYLOR	01FEB2019				
0 PLC ± -	PRODUCT SPEC	-	NAME BOOT, 90 DEGREES, WITH LIP			
1 PLC ± -	APPLICATION SPEC	-	SIZE	CAGE CODE	DRAWING NO	RESTRICTED TO
2 PLC ± -			A4	00779	C-222D2XX-XX-01-0	-
3 PLC ± -			WEIGHT			
4 PLC ± -			CUSTOMER DRAWING			
ANGLES ± -			SCALE	DNS	SHEET	1 OF 2
					REV	E



REVISIONS					
P	LTR	DESCRIPTION	DATE	DWN	APVD
	-	SEE SHEET 1	-	-	-

COMPATIBILITY CHART				
MATERIAL DASH NO.	MATERIAL DESCRIPTION	RT SPEC	COATING SLASH NO.	COATING SPEC
-3	POLYOLEFIN, SEMI-RIGID	RT-301	/42;/86;/180	S1017;S1048;S1030
-4	POLYOLEFIN, FLEXIBLE	RT-1304	/42;/86;/180	S1017;S1048;S1030
-25	ELASTOMER, FLUID RESISTANT	RW-2070	/42;/86;/225	S1017;S1048;S1206


ORDERING INFORMATION



NOTES

- Dimensions appearing in table are as follows:
 - a - As Supplied
 - b - After Unrestricted Recovery
- Coating is optional. As supplied dimensions appearing in table are for uncoated parts. When coating is added, entry diameters will be reduced by 1.5mm[.06] max.

THIS DRAWING IS UNPUBLISHED. ALL RIGHTS RESERVED. © COPYRIGHT - TE Connectivity Ltd.

DIMENSIONS: mm [INCHES]	DWN PRAVEEN N T	01FEB2019	MATERIAL	-	FINISH	-
	CHK N NAGAR	01FEB2019	 TE Connectivity Ltd.			
TOLERANCES UNLESS OTHERWISE SPECIFIED:	APVD M TAYLOR	01FEB2019				
0 PLC ± -	PRODUCT SPEC	-	NAME	BOOT, 90 DEGREES, WITH LIP		
1 PLC ± -	APPLICATION SPEC	-	SIZE	CAGE CODE	DRAWING NO	RESTRICTED TO
2 PLC ± -	WEIGHT	-	A4	00779	C-222D2XX-XX-01-0	-
3 PLC ± -	CUSTOMER DRAWING			SCALE	DNS	SHEET 2 OF 2
4 PLC ± -				REV	E	
ANGLES ± -						

