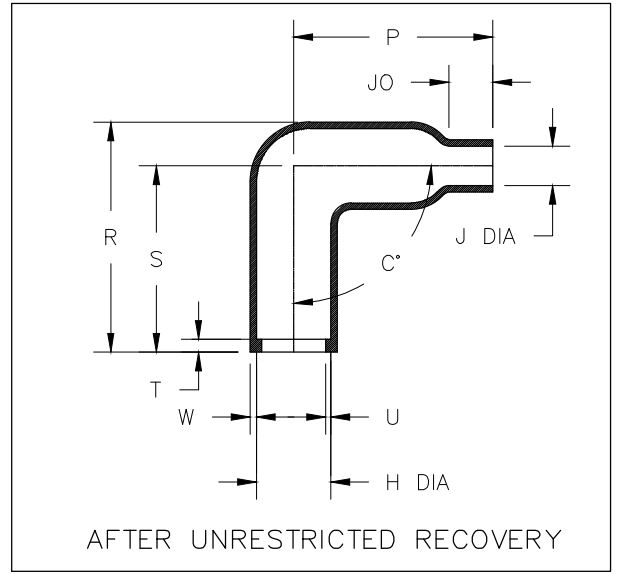
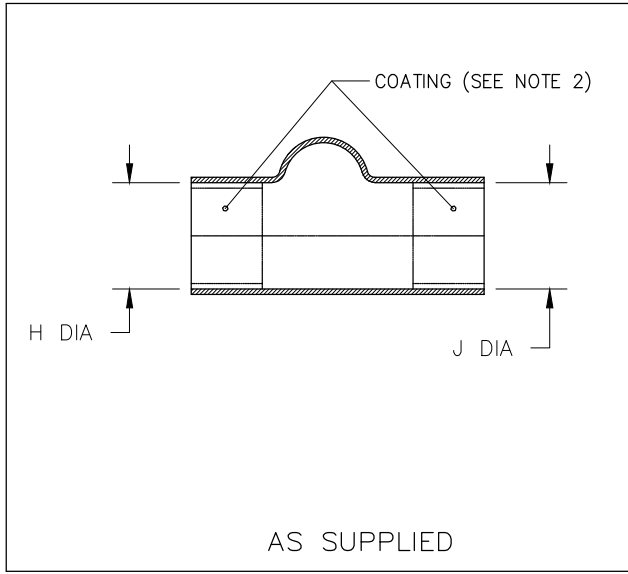


REVISIONS				
P	LTR	DESCRIPTION	DATE	APVD
C		PRODUCTION ISSUE	06FEB2019	MT



PART NUMBER	H		J		P ±10% b	R Ref b	S ±10% b	T ±10% b	U ±10% b	JO ±10% b	W ±20% b	C ±5% b
	Min a	Max b	Min a	Max b								
222B112	25.4 [1.00]	17.8 [.70]	25.4 [1.00]	9.4 [.37]	47.5 [1.87]	44.4 [1.75]	31.5 [1.24]	3.0 [.12]	1.3 [.05]	10.6 [.42]	1.5 [.06]	90°
222B123	38.1 [1.50]	24.1 [.95]	38.1 [1.50]	12.4 [.49]	50.8 [2.00]	50.3 [1.98]	40.6 [1.60]	3.0 [.12]	1.3 [.05]	10.3 [0.42]	1.5 [.06]	90°

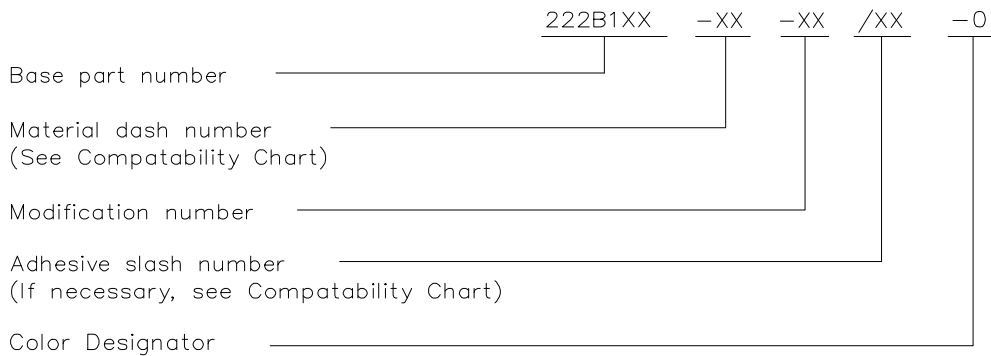
THIS DRAWING IS UNPUBLISHED. ALL RIGHTS RESERVED. © COPYRIGHT - TE Connectivity Ltd.

DIMENSIONS: mm[inches]	DWN	06FEB2019	MATERIAL	FINISH
	PRAVEEN N T		SEE SHEET 2	-
TOLERANCES UNLESS OTHERWISE SPECIFIED:	CHK	06FEB2019	TE Connectivity Ltd.	
	N NAGAR			
0 PLC ± - 1 PLC ± - 2 PLC ± - 3 PLC ± - 4 PLC ± - ANGLES ± 06FEB2019	APVD	06FEB2019	NAME BOOT 90 WITH LIP	
	M TAYLOR			
	PRODUCT SPEC	-	SIZE	RESTRICTED TO
	APPLICATION SPEC	-	A4	-
WEIGHT	CUSTOMER DRAWING		CAGE CODE	SCALE
			00779	DNS
			DRAWING NO	SHEET
			C-222B1XX-XX-0	1 OF 2
				REV
				C

REVISIONS					
P	LTR	DESCRIPTION	DATE	DWN	APVD
	-	SEE SHEET 1	-	-	-

COMPATABILITY CHART				
MATERIAL DASH NO.	MATERIAL DESCRIPTION	RT SPEC	COATING SLASH NO.	COATING S NO.
-3	Polyolefin, Semi-rigid	RT-301	/42;/86;/180	S1017;S1048;S1030
-25	Elastomer, Fluid Resistant	RW-2070	/42;/86;/225	S1017;S1048;S1206

ORDERING INFORMATION



NOTES


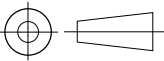
- DIMENSIONS APPEARING IN TABLE ARE AS FOLLOWS:
 - AS SUPPLIED
 - AFTER UNRESTRICTED RECOVERY
- COATING IS OPTIONAL. AS SUPPLIED DIMENSIONS APPEARING IN TABLE ARE FOR UNCOATED PARTS. WHEN COATING IS ADDED, ENTRY DIAMETERS WILL BE REDUCED BY 1.5MM[.06] MAX.

RELEASED FOR PUBLICATION

ALL RIGHTS RESERVED.

© COPYRIGHT - TE Connectivity Ltd.

THIS DRAWING IS UNPUBLISHED.

DIMENSIONS: mm[inches]	DWN PRAVEEN N T 06FEB2019	MATERIAL SEE SHEET 2	FINISH -		
	CHK N NAGAR 06FEB2019	 TE Connectivity Ltd.			
TOLERANCES UNLESS OTHERWISE SPECIFIED:	APVD M TAYLOR 06FEB2019			NAME BOOT 90 WITH LIP	
0 PLC ± -	PRODUCT SPEC	SIZE	CAGE CODE	DRAWING NO	RESTRICTED TO
1 PLC ± -	—	A4	00779	222B1XX-XX-0	—
2 PLC ± -	APPLICATION SPEC				
3 PLC ± -	—				
4 PLC ± -	WEIGHT				
ANGLES ± 06FEB2019					
	CUSTOMER DRAWING		SCALE DNS	SHEET 2 OF 2	REV C