

THIS DRAWING IS UNPUBLISHED.

RELEASED FOR PUBLICATION

XXXXX2011

© COPYRIGHT 2011

BY Tyco Electronics Japan G.K.

ALL RIGHTS RESERVED.

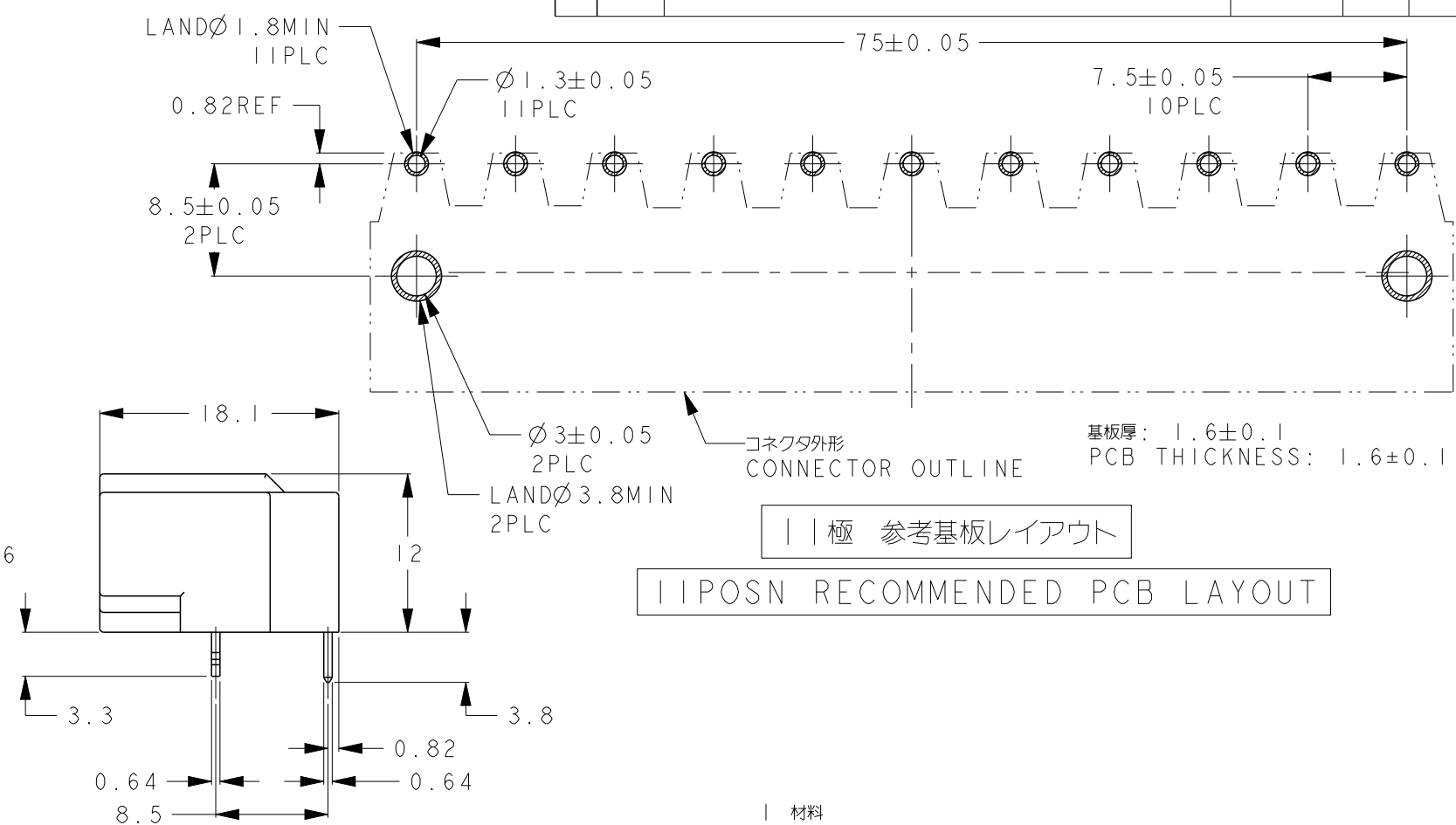
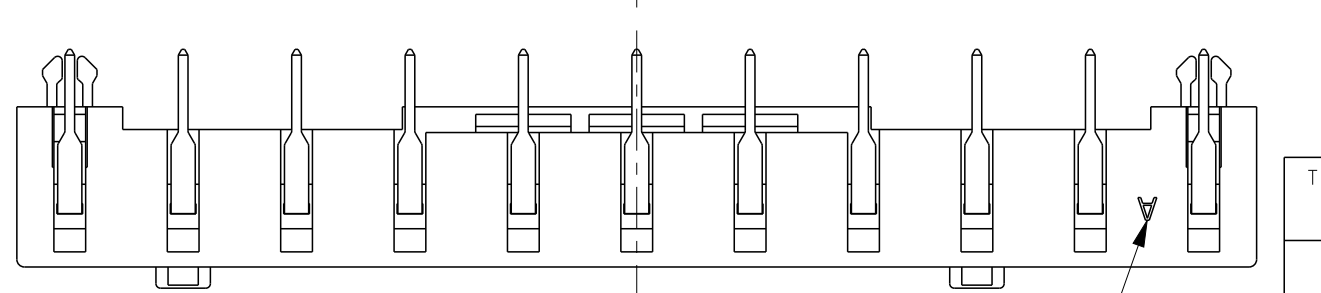
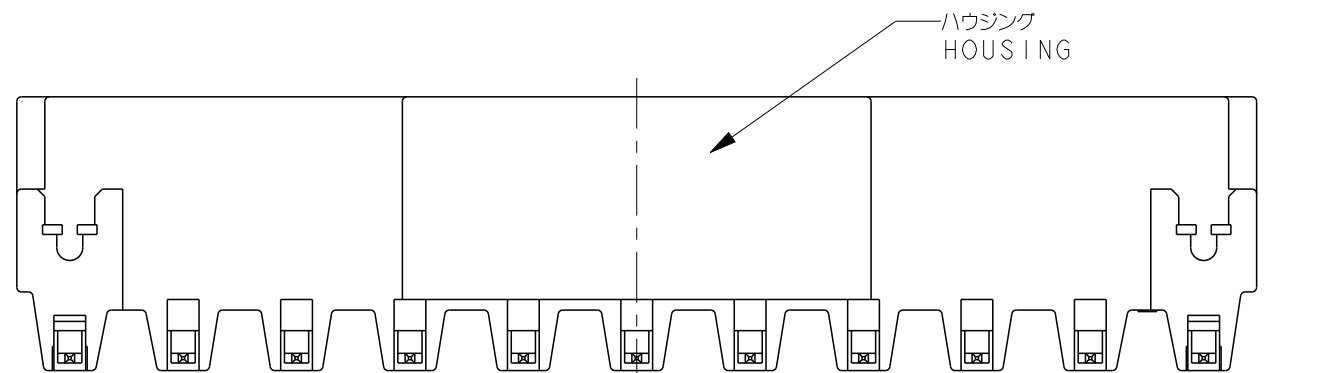
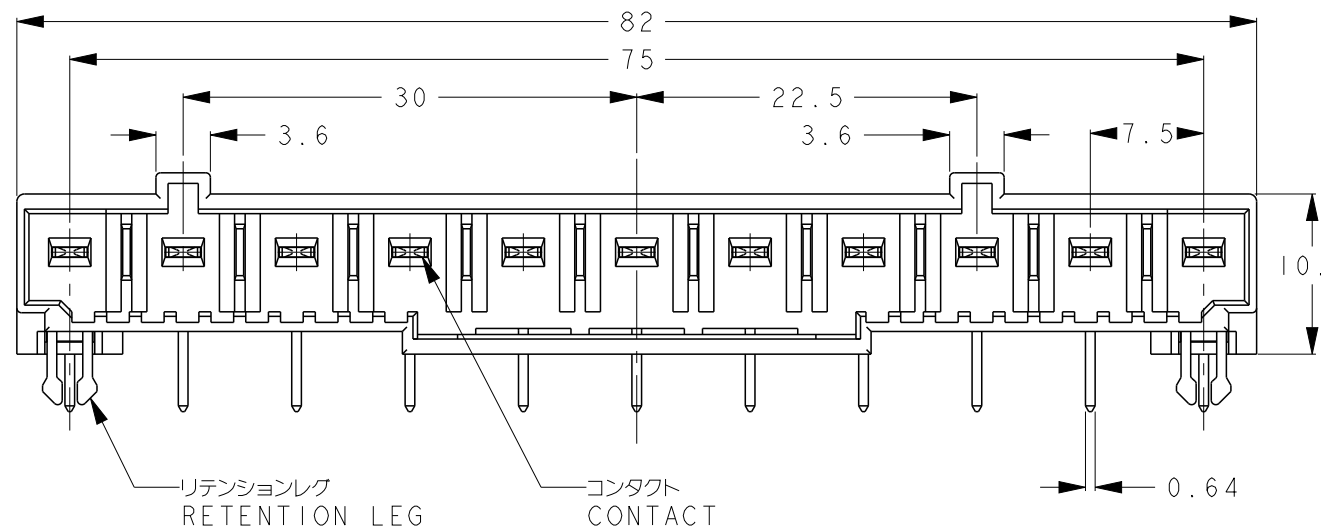
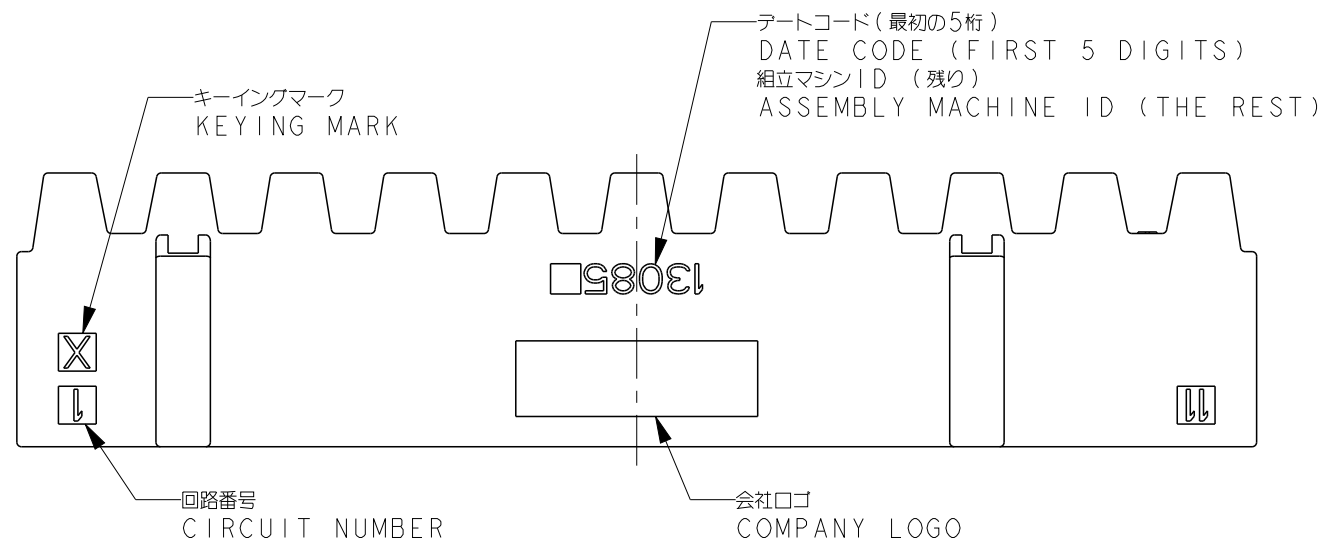
LOC  
J

DIST  
-

REVISIONS

変更

P	LTR	DESCRIPTION	DATE	DWN	APVD
	E	REVISED	27JULY2023	H.O	T.S



- 材料  
ハウジング: 熱可塑性ポリエステル, 色: 黒  
コンタクト: 銅合金  
リテンションレグ: 銅合金
- めっき  
コンタクト接点部: ニッケル下地めっき上に金めっき  
リテンションレグおよびコンタクトはんだ付け部: ニッケル下地めっき上に錫めっき

- MATERIAL  
HOUSING: THERMOPLASTIC POLYESTER, COLOR: BLACK.  
CONTACT: COPPER ALLOY  
RETENSION LEG: COPPER ALLOY
- PLATING  
CONTACT POINT: UNDER Ni PLATING.  
OVER Au PLATING.  
RETENSION LEG AND TINE : UNDER Ni PLATING.  
OVER Tin PLATING.

キーイング KEYING	極数 POS	型番 PART NUMBER
Y	10	1-2229803-3
Y	7	1-2229803-2
X	11	1-2229803-1
X	3	3-2229803-1

THIS DRAWING IS A CONTROLLED DOCUMENT.

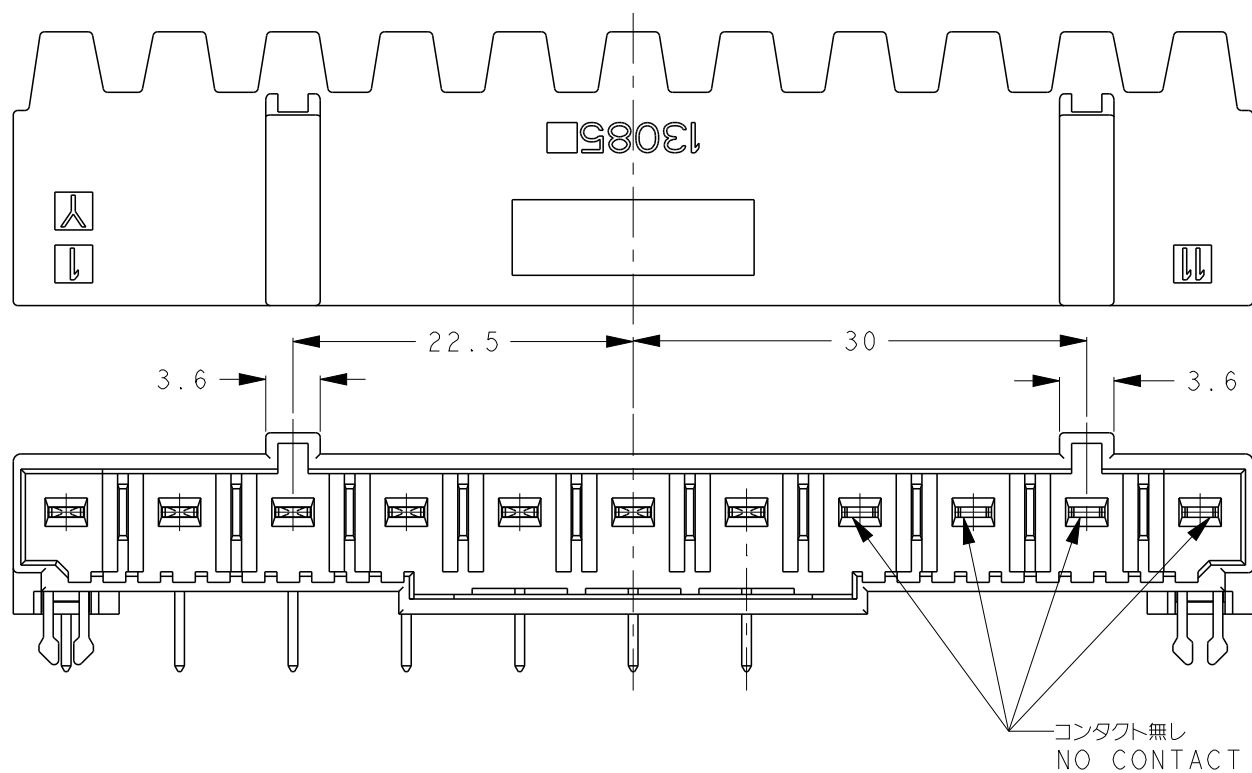
DWN Y. OKADA 20FEB2013	TE Connectivity DYNAMIC D3950 HEADER ASSEMBLY
CHK S. YAMADA 20FEB2013	
APVD N. YAMASAKI 20FEB2013	
PRODUCT SPEC 製品規格 108-78997	
DIMENSIONS: 単位: 概 mm	APPLICATION SPEC 取付適用規格 411-78272
TOLERANCES UNLESS OTHERWISE SPECIFIED: 一般公差 $\pm$ 0.3 0 PLC $\pm$ 1 PLC $\pm$ 0.5 2 PLC $\pm$ 0.13 3 PLC $\pm$ 0.013 4 PLC $\pm$ 0.0001 ANGLES $\pm$ 5	WEIGHT -
MATERIAL 材料 SEE NOTE	FINISH 仕上 SEE NOTE

SIZE A3	CAGE CODE 00779	DRAWING NO C-2229803	RESTRICTED TO -
Customer Drawing		SCALE 尺度 2:1	SHEET 1 OF 2
		REV E	

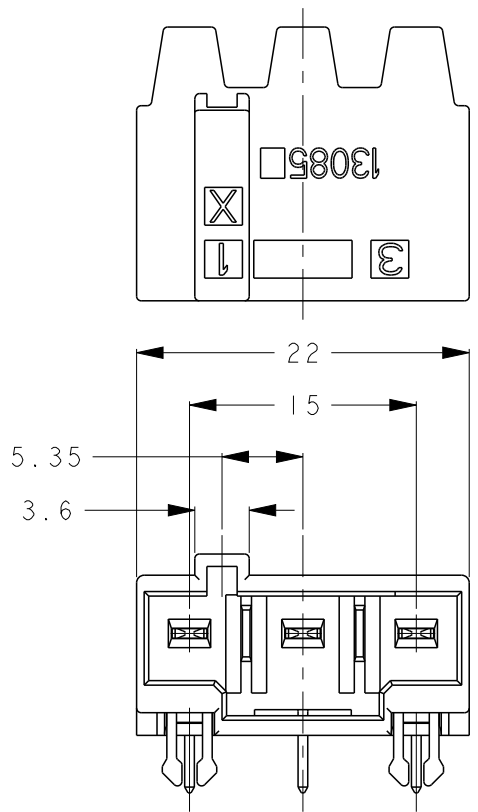
1-2229803-1 (||IPOSN KEYING: X)

LOC	DIST
J	-

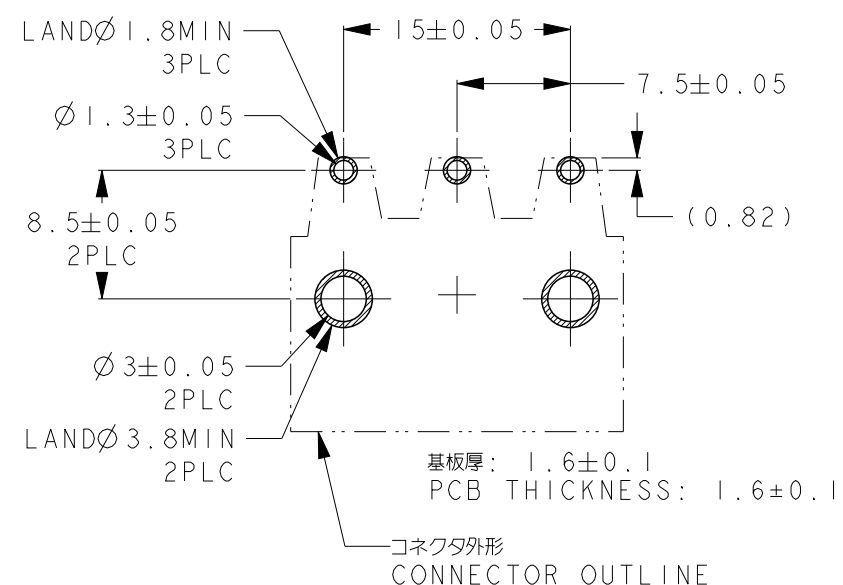
REVISIONS				
REV	DATE	BY	DESCRIPTION	APPROVED
			SEE SHEET 1	



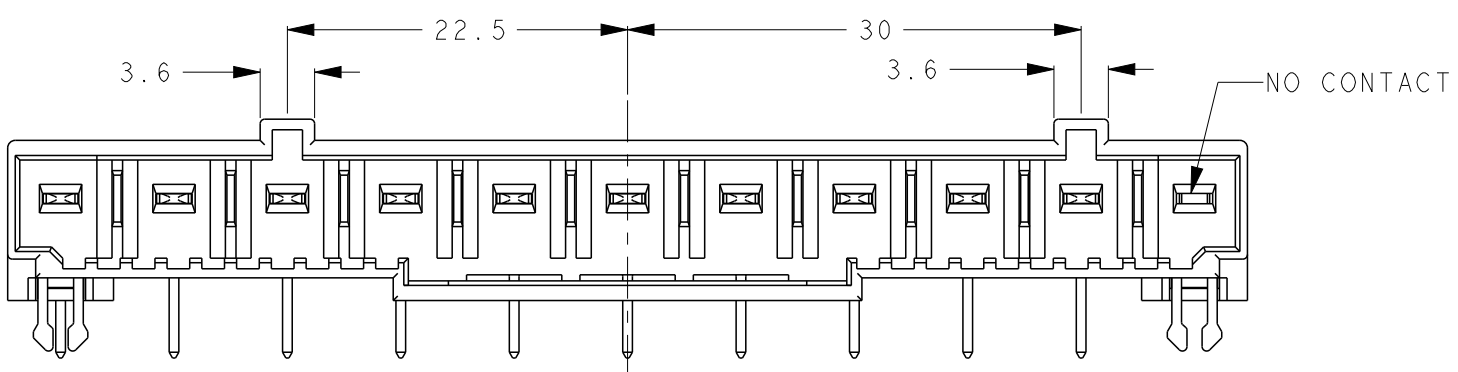
1-2229803-2 (7 POSN KEYING: Y)




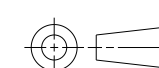
3-2229803-1 (3 POSN KEYING: X)



3極 参考基板レイアウト  
 3 POSN RECOMMENDED PCB LAYOUT



1-2229803-3 (10 POSN KEYING: Y)

THIS DRAWING IS A CONTROLLED DOCUMENT.		DWN Y. OKADA 20FEB2013	 TE Connectivity	
DIMENSIONS: 単位: 丸 mm		CHK S. YAMADA 20FEB2013		
TOLERANCES UNLESS OTHERWISE SPECIFIED: 一般公差 $\pm 0.3$		APVD N. YAMASAKI 20FEB2013	NAME 名称 DYNAMIC D3950 HEADER ASSEMBLY	
		PRODUCT SPEC 108-78997	SIZE A300779	
MATERIAL 材料 SEE NOTE		APPLICATION SPEC 411-78272	DRAWING NO. C-2229803	
FINISH 仕上 SEE NOTE		WEIGHT -	RESTRICTED TO -	
		Customer Drawing	SCALE 尺度 2:1	SHEET 2 OF 2 REV E